



**SWIFT**  
CREATING SMILES FOR LIFE

Find out more at [swiftgroup.co.uk](http://swiftgroup.co.uk)



# 2021 Caravan Technical Handbook Addendum

Please see the updated details for 2021 season below:

## **Basecamp Specification table**

PAGE 4 - Basecamp specification table has been updated. See Fig. 1

## **Sprite and Sprite Super MRO and payload**

For the 2021 season, the previously optional Diamond Pack on Sprite and Sprite Super models is now included in the standard specification. As a result, the following changes to the MRO and payload apply:

PAGE 6 - 8 Sprite models - The MRO is 45kg higher than shown in the technical data and the payload is reduced by 45kg.

The MTPLM remains the same.

## **Challenger and Challenger X MRO and payload**

For the 2021 season, the previously optional Lux Pack on Challenger and Challenger X models is now included in the standard specification. As a result, the following changes to the MRO and payload apply:

PAGE 10 - 12 Challenger and Challenger X - The MRO is 5kg higher than shown in the technical data and the payload is reduced by 5kg.

The MTPLM remains the same.

**Please note:** Sprite Major 6, Sprite Super Quattro EB, Challenger 645, Challenger X 865, Eccles & Eccles X ranges, Elegance 530, 645 & 650 have been discontinued





**SWIFT**  
CREATING SMILES FOR LIFE

Find out more at [swiftgroup.co.uk](http://swiftgroup.co.uk)

**Fig. 1 Basecamp Specification**

Basecamp	Basecamp 2	Basecamp 4
Berths	2	4
Axles	1	1
Internal Length (bed box height)	3.42m/11'3"	3.91m/12'10"
Overall Width**	2.28m/7'6"	2.28m/7'6"
Overall Height (inc. TV Aerial)**	2.60m/8'6"	2.60m/8'6"
Maximum Internal Headroom	1.95m/6'5"	1.95m/6'5"
Overall Length**	5.10m/16'9"	5.59m/18'4"
Awning A/A dimension		
Mass in Running Order (inc. tolerance)	932kg/18.3cwt	1050kg/20.7cwt
Maximum Technical Permissible Laden Mass (Lower limit)	1043kg/20.5cwt	1186kg/23.3cwt
Maximum Technical Permissible Laden Mass (Upper limit)	1300kg/25.6cwt	1450kg/28.5cwt
Total user Payload	111kg/2.2cwt	136kg/2.7cwt
Personal Effects	111kg/2.2cwt	136kg/2.7cwt
Options	0kg/0.0cwt	0kg/0.0cwt
Tyre Size	205/60 R16 96 V ***	205/65 R16C 107 T ***
Tyre pressure at Lower limit MTPLM	2.7 bar / 39 psi	3.3 bar / 48 psi
Tyre pressure at Upper limit MTPLM	3.4 bar / 49 psi	3.7 bar / 54 psi
Static Load on Coupling Head	100kg	100kg
Thermal Insulation Grade	THREE	THREE
<b>Bed Sizes</b>		
Front Double	198cm x 183cm / 6'6" x 6'0"	198cm x 130cm / 6'6" x 4'3"
or Front Nearside Single	183cm x 69cm / 6'0" x 2'3"	
and Front Offside Single	183cm x 69cm / 6'0" x 2'3"	
Rear Double		
Side Single (offside)		
Side Single (nearside)		
Side Bunk (offside)		
Side Bunk (nearside)		
Side Fixed Lower Bunk		178cm x 54cm / 5'10" x 1'9"
Side Fixed Upper Bunk		178cm x 54cm / 5'10" x 1'9"

\*\*\* Alternative tyre size

Basecamp 2 185 R14C 102 Q pressure \*\*psi / \*\*bar at lower MTPLM and 54psi / 3.7bar at higher MTPLM

Basecamp 4 185 R14C 102 Q pressure \*\*psi / \*\*bar at lower MTPLM and \*\*psi / \*\*bar at higher MTPLM

**Masses:** The masses are calculated in accordance to EU regulation 1230/2012 and NCC code of practice 304.

The Mass in Running Order (MRO) comprises:

1. The mass of the empty caravan as supplied by Swift including loose items such as the hook-up cable, kit bag, entrance step, manuals etc.
2. 10kg allowance for LPG

The MRO is calculated with the fresh water tank, toilet flush tank and water heater empty. If you travel with water in the fresh water tank, toilet flush tank and the water heater the payload will reduce accordingly.

The personal effects is based on the number of berths and the length of the caravan and includes an allowance of 20kg for a leisure battery.

The Maximum Technical Laden Mass (MTPLM) is the maximum mass allowed when the caravan is fully laden.

**WARNING: Under no circumstances should the MTPLM be exceeded**

CREATING SMILES FOR LIFE



**SWIFT**

# Swift Group Technical Handbook

## Touring Caravans

Issued August 2019

Part No. 1435372

Basecamp specification .....	4
Sprite Specification .....	6
Sprite Super Specification .....	8
Challenger / Eccles Alde Specification .....	10
Challenger X / Eccles X Alde Specification .....	12
Elegance Specification .....	14
Elegance Grande Specification .....	16
Wiring Diagrams .....	18
13 Pin Socket .....	29
Cable Colours .....	30
Bulb Replacement .....	31
Dealer Special models based on Sprite .....	32
Dealer Special models based on Sprite Super .....	34
Dealer Special models based on Eccles / Challenger with Alde .....	36
Dealer Special models based on Challenger X / Eccles X with Alde .....	38
Dealer Special models based on Elegance .....	40
Dealer Special models based on Elegance Grande .....	42
Bed make-ups .....	44

# Basecamp Specification

Basecamp	Basecamp	Basecamp Plus
Berths	2	2
Axles	1	1
Internal Length (bed box height)	3.42m/11'3"	3.42m/11'3"
Overall Width**	2.28m/7'6"	2.28m/7'6"
Overall Height (inc. TV Aerial)**	2.58m/8'5"	2.60m/8'6"
Maximum Internal Headroom	1.95m/6'5"	1.95m/6'5"
Overall Length**	5.10m/16'9"	5.10m/16'9"
Awning A/A dimension		
Mass in Running Order (inc. tolerance)	891kg/17.5cwt	927kg/18.2cwt
Maximum Technical Permissible Laden Mass (Lower limit)	1002kg/19.7cwt	1038kg/20.4cwt
Maximum Technical Permissible Laden Mass (Upper limit)	1300kg/25.6cwt	1300kg/25.6cwt
Total user Payload	111kg/2.2cwt	111kg/2.2cwt
Personal Effects	111kg/2.2cwt	111kg/2.2cwt
Options	0kg/0.0cwt	0kg/0.0cwt
Tyre Size	185 R14C 102 Q	185 R14C 102 Q
Tyre pressure at Lower limit MTPLM	2.7 bar / 39 psi	2.8 bar / 41 psi
Tyre pressure at Upper limit MTPLM	3.7 bar / 54 psi	3.7 bar / 54 psi
Static Load on Coupling Head	100kg	100kg
Thermal Insulation Grade	THREE	THREE
<b>Bed Sizes</b>		
Front Double	198cm x 183cm/6'5" x 6'0"	198cm x 183cm/6'5" x 6'0"
or Front Nearside Single	183cm x 69cm/6'0" x 2'3"	183cm x 69cm/6'0" x 2'3"
and Front Offside Single	183cm x 69cm/6'0" x 2'3"	183cm x 69cm/6'0" x 2'3"
Rear Double		
Side Single (offside)		
Side Single (nearside)		
Side Bunk (offside)		
Side Bunk (nearside)		
Side Fixed Lower Bunk		
Side Fixed Upper Bunk		

**Masses:** The masses are calculated in accordance to EU regulation 1230/2012 and NCC code of practice 304.

The Mass in Running Order (MRO) comprises:

1. The mass of the empty caravan as supplied by Swift including loose items such as the hook-up cable, kit bag, entrance step, manuals etc.
2. 10kg allowance for LPG

The MRO is calculated with the fresh water tank, toilet flush tank and water heater empty. If you travel with water in the fresh water tank, toilet flush tank and the water heater the payload will reduce accordingly.

The personal effects is based on the number of berths and the length of the caravan and includes an allowance of 20kg for a leisure battery.

The Maximum Technical Laden Mass (MTPLM) is the maximum mass allowed when the caravan is fully laden.

**WARNING: Under no circumstances should the MTPLM be exceeded**

**Bed Sizes:** Please note that the front double bed sizes quoted are for seating configurations without chest of drawers. The front double bed width for a layout with a chest of drawers fitted will be reduced by 0.4m(1'4") from that stated.

**Awning sizes:** Due to the varying awning designs and sizes the awning sizes given are approximate only. Specific awning sizes must be confirmed by your dealer or the awning manufacturer prior to purchase.

Est = Estimated weight or bed size

\*\*The dimensions given are approximate due to slight variations in suspension ride heights, loading conditions and tyre pressures.

Customers should verify the actual dimensions of their touring caravan before committing to anything that could be impacted by these dimensions

**Please note:** Any dealer fit options will reduce the overall payload available to the user of the caravan.

If you require additional payload it is possible to upgrade the MTPLM to the upper limit. Please contact your caravan dealer for more information.

# Sprite Specification

Sprite	Alpine 2	Alpine 4	Major 4 SB	Major 4 EB
Berths	2	4	4	4
Axles	1	1	1	1
Internal Length (bed box height)	4.34m/14'3"	4.74m/15'7"	5.83m/19'2"	5.83m/19'2"
Overall Width**	2.25m/7'5"	2.25m/7'5"	2.25m/7'5"	2.25m/7'5"
Overall Height (inc. TV Aerial)**	2.59m/8'6"	2.59m/8'6"	2.59m/8'6"	2.59m/8'6"
Maximum Internal Headroom	1.95m/6'5"	1.95m/6'5"	1.95m/6'5"	1.95m/6'5"
Overall Length**	6.05m/19'10"	6.45m/21'2"	7.54m/24'9"	7.54m/24'9"
Awning A/A dimension	8.59m/28'2"	8.99m/29'6"	10.08m/33'1"	10.08m/33'1"
Mass in Running Order (inc. tolerance)	1052kg/20.7cwt	1094kg/21.5cwt	1241kg/24.4cwt	1275kg/25.1cwt
Maximum Technical Permissible Laden Mass (Lower limit)	1218kg/24.0cwt	1284kg/25.3cwt	1442kg/28.4cwt	1476kg/29.1cwt
Maximum Technical Permissible Laden Mass (Upper limit)	1250kg/24.6cwt	1300kg/25.6cwt	1500kg/29.5cwt	1500kg/29.5cwt
Total user Payload	166kg/3.3cwt	190kg/3.7cwt	201kg/4.0cwt	201kg/4.0cwt
Personal Effects	121kg/2.4cwt	145kg/2.9cwt	156kg/3.1cwt	156kg/3.1cwt
Options	45kg/0.9cwt	45kg/0.9cwt	45kg/0.9cwt	45kg/0.9cwt
Tyre Size	185 R14C 102Q	185 R14C 102Q	185 R14C 102Q	185 R14C 102Q
Tyre pressure at Lower limit MTPLM	3.4 bar / 49 psi	3.6 bar / 52 psi	4.2 bar / 61 psi	4.3 bar / 62 psi
Tyre pressure at Upper limit MTPLM	3.5 bar / 51 psi	3.7 bar / 54 psi	4.4 bar / 64 psi	4.4 bar / 64 psi
Static Load on Coupling Head	100kg	100kg	100kg	100kg
Thermal Insulation Grade	THREE	THREE	THREE	THREE
<b>Bed Sizes</b>				
Front Double	202cm x 180cm/6'8" x 5'11"	202cm x 128cm/6'8" x 4'2"	202cm x 159cm/6'8" x 5'3"	202cm x 159cm/6'8" x 5'3"
or Front Nearside Single and Front Offside Single	190cm x 72cm/6'3" x 2'4"		159cm x 72cm/5'3" x 2'4"	159cm x 72cm/5'3" x 2'4"
Rear Double	180cm x 72cm/5'11" x 2'4"	189cm x 132cm/6'2" x 4'4"	185cm x 133cm/6'1" x 4'4"	190cm x 133cm/6'3" x 4'4"
Side Single (offside)				
Side Single (nearside)				
Side Bunk (offside)				
Side Bunk (nearside)				
Side Fixed Lower Bunk				
Side Fixed Upper Bunk				

**Masses:** The masses are calculated in accordance to EU regulation 1230/2012 and NCC code of practice 304.

The Mass in Running Order (MRO) comprises:

1. The mass of the empty caravan as supplied by Swift including loose items such as the hook-up cable, kit bag, entrance step, manuals etc.
2. 10kg allowance for LPG

The MRO is calculated with the fresh water tank, toilet flush tank and water heater empty. If you travel with water in the fresh water tank, toilet flush tank and the water heater the payload will reduce accordingly.

The personal effects is based on the number of berths and the length of the caravan and includes an allowance of 20kg for a leisure battery.

The Maximum Technical Laden Mass (MTPLM) is the maximum mass allowed when the caravan is fully laden.

**WARNING: Under no circumstances should the MTPLM be exceeded**

Major 6	Major 6 TD	Quattro EW	Quattro FB
6	6	6	6
1	1	2	2
5.60m/18'4"	5.83m/19'2"	6.27m/20'7"	6.27m/20'7"
2.25m/7'5"	2.25m/7'5"	2.25m/7'5"	2.25m/7'5"
2.59m/8'6"	2.59m/8'6"	2.59m/8'6"	2.59m/8'6"
1.95m/6'5"	1.95m/6'5"	1.95m/6'5"	1.95m/6'5"
7.31m/24'0"	7.54m/24'9"	7.98m/26'2"	7.98m/26'2"
9.85m/32'4"	10.08m/33'1"	10.52m/34'6"	10.52m/34'6"
1259kg/24.8cwt	1307kg/25.7cwt	1385kg/27.3cwt	1405kg/27.7cwt
1478kg/29.0cwt	1528kg/30.1cwt	1610kg/31.7cwt	1630kg/32.1cwt
1500kg/29.5cwt	1550kg/30.5cwt	1800kg/35.4cwt	1800kg/35.4cwt
219kg/4.3cwt	221kg/4.4cwt	225kg/4.4cwt	225kg/4.4cwt
174kg/3.4cwt	176kg/3.5cwt	180kg/3.5cwt	180kg/3.5cwt
45kg/0.9cwt	45kg/0.9cwt	45kg/0.9cwt	45kg/0.9cwt
185 R14C 102Q	185 R14C 102Q	185/70 R14 88T	185/70 R14 88T
4.3 bar / 62 psi	4.5 bar / 65 psi	2.0 bar / 29 psi	2.0 bar / 29 psi
4.4 bar / 64 psi	4.5 bar / 65 psi	2.2 bar / 32 psi	2.2 bar / 32 psi
100kg	100kg	100kg	100kg
THREE	THREE	THREE	THREE
202cm x 170cm/6'8" x 5'7"	202cm x 180cm/6'8" x 5'11"	206cm x 134cm/6'9" x 4'5"	202cm x 180cm/6'8" x 5'11"
	190cm x 72cm/6'3" x 2'4"		180cm x 72cm/5'11" x 2'4"
	180cm x 72cm/5'11" x 2'4"		190cm x 72cm/6'3" x 2'4"
		194cm x 132cm/6'4" x 4'4"	192cm x 132cm/6'4" x 4'4"
180cm x 83cm/5'11" x 2'9"		180cm x 62cm/5'11" x 2'0"	180cm x 62cm/5'11" x 2'0"
	180cm x 67cm/5'11" x 2'2"		
176cm x 59cm/5'9" x 1'11"		176cm x 59cm/5'9" x 1'11"	176cm x 59cm/5'9" x 1'11"
	176cm x 59cm/5'9" x 1'11"		
183cm x 57cm/6'0" x 1'10"	183cm x 57cm/6'0" x 1'10"		
183cm x 57cm/6'0" x 1'10"	183cm x 57cm/6'0" x 1'10"		

**Bed Sizes:** Please note that the front double bed sizes quoted are for seating configurations without chest of drawers. The front double bed width for a layout with a chest of drawers fitted will be reduced by 0.4m(1'4") from that stated.

**Awning sizes:** Due to the varying awning designs and sizes the awning sizes given are approximate only. Specific awning sizes must be confirmed by your dealer or the awning manufacturer prior to purchase.

Est = Estimated weight or bed size

\*\*The dimensions given are approximate due to slight variations in suspension ride heights, loading conditions and tyre pressures.

Customers should verify the actual dimensions of their touring caravan before committing to anything that could be impacted by these dimensions

**Please note:** Any dealer fit options will reduce the overall payload available to the user of the caravan.

If you require additional payload it is possible to upgrade the MTPLM to the upper limit. Please contact your caravan dealer for more information.



# Sprite Super Specification

Sprite	Sprite Super Quattro DB	Sprite Super Quattro FB	Sprite Super Quattro EB
Berths	6	6	4
Axles	2	2	2
Internal Length (bed box height)	6.27m/207"	6.27m/207"	6.27m/207"
Overall Width**	2.46m/8'1"	2.46m/8'1"	2.46m/8'1"
Overall Height (inc. TV Aerial)**	2.59m/8'6"	2.59m/8'6"	2.59m/8'6"
Maximum Internal Headroom	1.95m/6'5"	1.95m/6'5"	1.95m/6'5"
Overall Length**	7.98m/26'2"	7.98m/26'2"	7.98m/26'2"
Awning A/A dimension	10.56m/34'8"	10.56m/34'8"	10.56m/34'8"
Mass in Running Order (inc. tolerance)	1475kg/29.0cwt	1479kg/29.1cwt	1500kg/29.5cwt
Maximum Technical Permissible Laden Mass (Lower limit)	1700kg/33.5cwt	1704kg/33.5cwt	1705kg/33.6cwt
Maximum Technical Permissible Laden Mass (Upper limit)	1800kg/35.4cwt	1800kg/35.4cwt	1800kg/35.4cwt
Total user Payload	225kg/4.4cwt	225kg/4.4cwt	205kg/4.0cwt
Personal Effects	180kg/3.5cwt	180kg/3.5cwt	160kg/3.1cwt
Options	45kg/0.9cwt	45kg/0.9cwt	45kg/0.9cwt
Tyre Size	185/70 R14 88T	185/70 R14 88T	185/70 R14 88T
Tyre pressure at Lower limit MTPLM	2.0 bar / 29 psi	2.0 bar / 29 psi	2.0 bar / 29 psi
Tyre pressure at Upper limit MTPLM	2.2 bar / 32 psi	2.2 bar / 32 psi	2.2 bar / 32 psi
Static Load on Coupling Head	100kg	100kg	100kg
Thermal Insulation Grade	THREE	THREE	THREE
<b>Bed Sizes</b>			
Front Double	225cm x 180cm/7'4" x 5'11"	225cm x 180cm/7'4" x 5'11"	225cm x 163cm/7'4" x 5'4"
or Front Nearside Single	180cm x 73cm/5'11" x 2'5"	180cm x 73cm/5'11" x 2'5"	163cm x 73cm/5'4" x 2'5"
and Front Offside Single	180cm x 73cm/5'11" x 2'5"	180cm x 73cm/5'11" x 2'5"	163cm x 73cm/5'4" x 2'5"
Rear Double		196cm x 135cm/6'5" x 4'5"	187cm x 133cm/6'2" x 4'4"
Side Double (offside)	190cm x 134cm/6'3" x 4'5"	190cm x 134cm/6'3" x 4'5"	
Side Fixed Lower Bunk	182cm x 72cm/6'0" x 2'4"		
Side Fixed Upper Bunk	182cm x 72cm/6'0" x 2'4"		

**Masses:** The masses are calculated in accordance to EU regulation 1230/2012 and NCC code of practice 304.

The Mass in Running Order (MRO) comprises:

1. The mass of the empty caravan as supplied by Swift including loose items such as the hook-up cable, kit bag, entrance step, manuals etc.
2. 10kg allowance for LPG

The MRO is calculated with the fresh water tank, toilet flush tank and water heater empty. If you travel with water in the fresh water tank, toilet flush tank and the water heater the payload will reduce accordingly.

The personal effects is based on the number of berths and the length of the caravan and includes an allowance of 20kg for a leisure battery.

The Maximum Technical Laden Mass (MTPLM) is the maximum mass allowed when the caravan is fully laden.

**WARNING: Under no circumstances should the MTPLM be exceeded**

**Bed Sizes:** Please note that the front double bed sizes quoted are for seating configurations without chest of drawers. The front double bed width for a layout with a chest of drawers fitted will be reduced by 0.4m(1'4") from that stated.

**Awning sizes:** Due to the varying awning designs and sizes the awning sizes given are approximate only. Specific awning sizes must be confirmed by your dealer or the awning manufacturer prior to purchase.

Est = Estimated weight or bed size

\*\*The dimensions given are approximate due to slight variations in suspension ride heights, loading conditions and tyre pressures.

Customers should verify the actual dimensions of their touring caravan before committing to anything that could be impacted by these dimensions

**Please note:** Any dealer fit options will reduce the overall payload available to the user of the caravan.

If you require additional payload it is possible to upgrade the MTPLM to the upper limit. Please contact your caravan dealer for more information.



# Challenger / Eccles Specification (Alde)

Challenger (Alde heating)	Challenger 480	Challenger 530	Challenger 560	Challenger 580
Eccles (Alde heating)	Eccles 480	Eccles 530	Eccles 560	Eccles 580
Berths	2	4	4	4
Axles	1	1	1	1
Internal Length (bed box height)	4.95m/16'3"	5.29m/17'4"	5.83m/19'2"	5.83m/19'2"
Overall Width**	2.23m/7'4"	2.23m/7'4"	2.23m/7'4"	2.23m/7'4"
Overall Height (inc. TV Aerial)**	2.61m/8'7"	2.61m/8'7"	2.61m/8'7"	2.61m/8'7"
Maximum Internal Headroom	1.95m/6'5"	1.95m/6'5"	1.95m/6'5"	1.95m/6'5"
Overall Length**	6.66m/21'10"	7.00m/23'0"	7.54m/24'9"	7.54m/24'9"
Awning A/A dimension	9.32m/30'7"	9.66m/31'8"	10.20m/33'6"	10.20m/33'6"
Mass in Running Order (inc. tolerance)	1262kg/24.8cwt	1325kg/26.1cwt	1389kg/27.3cwt	1362kg/26.8cwt
Maximum Technical Permissible Laden Mass (Lower limit)	1394kg/27.4cwt	1481kg/29.2cwt	1550kg/30.5cwt	1523kg/30.0cwt
Maximum Technical Permissible Laden Mass (Upper limit)	1500kg/29.5cwt	1500kg/29.5cwt	1550kg/30.5cwt	1550kg/30.5cwt
Total user Payload	132kg/2.6cwt	156kg/3.1cwt	161kg/3.2cwt	161kg/3.2cwt
Personal Effects	127kg/2.5cwt	151kg/3.0cwt	156kg/3.1cwt	156kg/3.1cwt
Options	5.0kg/0.1cwt	5.0kg/0.1cwt	5.0kg/0.1cwt	5.0kg/0.1cwt
Tyre Size	185 R14C 102Q	185 R14C 102Q	185 R14C 102Q	185 R14C 102Q
Tyre pressure at Lower limit MTPLM	4.0 bar / 58 psi	4.3 bar / 62 psi	4.5 bar / 65 psi	4.5 bar / 65 psi
Tyre pressure at Upper limit MTPLM	4.4 bar / 64 psi	4.4 bar / 64 psi	4.5 bar / 65 psi	4.5 bar / 65 psi
Static Load on Coupling Head	100kg	100kg	100kg	100kg
Thermal Insulation Grade	THREE	THREE	THREE	THREE
<b>Bed Sizes</b>				
Front Double	202cm x 186cm/6'8" x 6'1"	202cm x 176cm/6'8" x 5'9"	202cm x 156cm/6'8" x 5'1"	202cm x 156cm/6'8" x 5'1"
or Front Nearside Single	196cm x 72cm/6'4" x 2'4"	176cm x 72cm/5'9" x 2'4"	156cm x 72cm/5'1" x 2'4"	156cm x 72cm/5'1" x 2'4"
and Front Offside Single	186cm x 72cm/6'1" x 2'4"	186cm x 72cm/6'1" x 2'4"	156cm x 72cm/5'1" x 2'4"	156cm x 72cm/5'1" x 2'4"
Rear Double			190cm x 133cm/6'3" x 4'4"	185cm x 133cm/6'1" x 4'4"
Side Single (offside)		180cm x 62cm/5'11" x 2'0"		
Side Single (nearside)				
Side Bunk (offside)		176cm x 59cm/5'9" x 1'11"		
Side Bunk (nearside)				
Side Fixed Lower Bunk				
Side Fixed Upper Bunk				

**Masses:** The masses are calculated in accordance to EU regulation 1230/2012 and NCC code of practice 304.

The Mass in Running Order (MRO) comprises:

1. The mass of the empty caravan as supplied by Swift including loose items such as the hook-up cable, kit bag, entrance step, manuals etc.
2. 10kg allowance for LPG

The MRO is calculated with the fresh water tank, toilet flush tank and water heater empty. If you travel with water in the fresh water tank, toilet flush tank and the water heater the payload will reduce accordingly.

The personal effects is based on the number of berths and the length of the caravan and includes an allowance of 20kg for a leisure battery.

The Maximum Technical Laden Mass (MTPLM) is the maximum mass allowed when the caravan is fully laden.

**WARNING: Under no circumstances should the MTPLM be exceeded**

Challenger 645	Challenger 650
<b>Eccles 645</b>	<b>Eccles 650</b>
4	4
2	2
6.27m/20'7"	6.27m/20'7"
2.23m/7'4"	2.23m/7'4"
2.61m/8'7"	2.61m/8'7"
1.95m/6'5"	1.95m/6'5"
7.98m/26'2"	7.98m/26'2"
10.52m/34'6"	10.52m/34'6"
1516kg/29.8cwt	1544kg/30.4cwt
1681kg/33.1cwt	1709kg/33.6cwt
2000kg/39.4cwt	2000kg/39.4cwt
165kg/3.2cwt	165kg/3.2cwt
160kg/3.1cwt	160kg/3.1cwt
5.0kg/0.1cwt	5.0kg/0.1cwt
185/70 R14 88T	185/70 R14 88T
2.0 bar / 29 psi	2.1 bar / 30 psi
2.5 bar / 36 psi	2.5 bar / 36 psi
100kg	100kg
THREE	THREE
202cm x 156cm/6'8" x 5'1"	202cm x 156cm/6'8" x 5'1"
156cm x 72cm/5'1" x 2'4"	156cm x 72cm/5'1" x 2'4"
156cm x 72cm/5'1" x 2'4"	186cm x 72cm/6'1" x 2'4"
185cm x 133cm/6'1" x 4'4"	185cm x 133cm/6'1" x 4'4"

**Bed Sizes:** Please note that the front double bed sizes quoted are for seating configurations without chest of drawers. The front double bed width for a layout with a chest of drawers fitted will be reduced by 0.4m(1'4") from that stated.

**Awning sizes:** Due to the varying awning designs and sizes the awning sizes given are approximate only. Specific awning sizes must be confirmed by your dealer or the awning manufacturer prior to purchase.

Est = Estimated weight or bed size

\*\*The dimensions given are approximate due to slight variations in suspension ride heights, loading conditions and tyre pressures.

Customers should verify the actual dimensions of their touring caravan before committing to anything that could be impacted by these dimensions

**Please note:** Any dealer fit options will reduce the overall payload available to the user of the caravan.

If you require additional payload it is possible to upgrade the MTPLM to the upper limit. Please contact your caravan dealer for more information.

# Challenger X / Eccles X Specification (Alde)

Challenger X (Alde heating)	Challenger X 865	Challenger X 880	Challenger X 835	Challenger X 850
Eccles X (Alde heating)	Eccles X 865	Eccles X 880	Eccles X 835	Eccles X 850
Berths	4	4	4	4
Axles	1	1	2	2
Internal Length (bed box height)	5.83m/19'2"	5.83m/19'2"	6.27m/20'7"	6.27m/20'7"
Overall Width**	2.45m/8'0"	2.45m/8'0"	2.45m/8'0"	2.45m/8'0"
Overall Height (inc. TV Aerial)**	2.61m/8'7"	2.61m/8'7"	2.59m/8'6"	2.59m/8'6"
Maximum Internal Headroom	1.95m/6'5"	1.95m/6'5"	1.95m/6'5"	1.95m/6'5"
Overall Length**	7.54m/24'9"	7.54m/24'9"	7.98m/26'2"	7.98m/26'2"
Awning A/A dimension	10.20m/33'6"	10.20m/33'6"	10.52m/34'6"	10.52m/34'6"
Mass in Running Order (inc. tolerance)	1490kg / 29.3cwt Est	1481kg/29.2cwt	1638kg/32.2cwt	1634kg/32.2cwt
Maximum Technical Permissible Laden Mass (Lower limit)	1651kg/32.5cwt Est	1642kg/32.3cwt	1803kg/35.5cwt	1799kg/35.4cwt
Maximum Technical Permissible Laden Mass (Upper limit)	1750kg/34.4cwt	1750kg/34.4cwt	2000kg/39.4cwt	2000.0kg/39.4cwt
Total user Payload	161kg/3.2cwt	161kg/3.2cwt	165kg/3.2cwt	165kg/3.2cwt
Personal Effects	156kg/3.1cwt	156kg/3.1cwt	160kg/3.1cwt	160kg/3.1cwt
Options	5.0kg/0.1cwt	5.0kg/0.1cwt	5.0kg/0.1cwt	5.0kg/0.1cwt
Tyre Size	195/70 R15C 104 R	195/70 R15C 104 R	185/70 R14 88 T	185/70 R14 88 T
Tyre pressure at Lower limit MTPLM	4.5 bar/65 psi	4.5 bar/65 psi	2.2 bar/32 psi	2.2 bar/32 psi
Tyre pressure at Upper limit MTPLM	4.5 bar/65 ps	4.5 bar/65 psi	2.5 bar/36 psi	2.5 bar/36 psi
Static Load on Coupling Head	100kg	100kg	100kg	100kg
Thermal Insulation Grade	THREE	THREE	THREE	THREE
<b>Bed Sizes</b>				
Front Double	225cm x 159cm/7'4" x 5'3"	225cm x 159cm/7'4" x 5'3"	225cm x 159cm/7'4" x 5'3"	197cm x 127cm/6'6" x 4'2"
or Front Nearside Single	159cm x 73cm/5'3" x 2'5"	159cm x 73cm/5'3" x 2'5"	159cm x 73cm/5'3" x 2'5"	
and Front Offside Single	159cm x 73cm/5'3" x 2'5"	159cm x 73cm/5'3" x 2'5"	159cm x 73cm/5'3" x 2'5"	
Rear Double		187cm x 133cm/6'2" x 4'4"	187cm x 133cm/6'2" x 4'4"	187cm x 143cm/6'2" x 4'8"
Side Single (offside)	195cm x 81cm/6'5" x 2'8"			
Side Single (nearside)	200cm x 81cm/6'8" x 2'8"			
Side Bunk (offside)				
Side Bunk (nearside)				
Side Fixed Lower Bunk				
Side Fixed Upper Bunk				

**Masses:** The masses are calculated in accordance to EU regulation 1230/2012 and NCC code of practice 304.

The Mass in Running Order (MRO) comprises:

1. The mass of the empty caravan as supplied by Swift including loose items such as the hook-up cable, kit bag, entrance step, manuals etc.
2. 10kg allowance for LPG

The MRO is calculated with the fresh water tank, toilet flush tank and water heater empty. If you travel with water in the fresh water tank, toilet flush tank and the water heater the payload will reduce accordingly.

The personal effects is based on the number of berths and the length of the caravan and includes an allowance of 20kg for a leisure battery.

The Maximum Technical Laden Mass (MTPLM) is the maximum mass allowed when the caravan is fully laden.

**WARNING: Under no circumstances should the MTPLM be exceeded**

**Bed Sizes:** Please note that the front double bed sizes quoted are for seating configurations without chest of drawers. The front double bed width for a layout with a chest of drawers fitted will be reduced by 0.4m(1'4") from that stated.

**Awning sizes:** Due to the varying awning designs and sizes the awning sizes given are approximate only. Specific awning sizes must be confirmed by your dealer or the awning manufacturer prior to purchase.

Est = Estimated weight or bed size

\*\*The dimensions given are approximate due to slight variations in suspension ride heights, loading conditions and tyre pressures.

Customers should verify the actual dimensions of their touring caravan before committing to anything that could be impacted by these dimensions

**Please note:** Any dealer fit options will reduce the overall payload available to the user of the caravan.

If you require additional payload it is possible to upgrade the MTPLM to the upper limit. Please contact your caravan dealer for more information.

# Elegance Specification

Elegance	Elegance 480	Elegance 530	Elegance 560	Elegance 565
Berths	2	4	4	4
Axles	1	1	1	1
Internal Length (bed box height)	4.98m/16'4"	5.45m/17'11"	5.93m/19'5"	5.93m/19'5"
Overall Width*	2.28m/7'6"	2.28m/7'6"	2.28m/7'6"	2.28m/7'6"
Overall Height (inc. TV Aerial)*	2.59m/8'6"	2.59m/8'6"	2.59m/8'6"	2.59m/8'6"
Maximum Internal Headroom	1.95m/6'5"	1.95m/6'5"	1.95m/6'5"	1.95m/6'5"
Overall Length*	6.59m/21'7"	7.07m/23'2"	7.54m/24'9"	7.54m/24'9"
Awning A/A dimension	9.04m/29'8"	9.58m/31'5"	10.05m/33'0"	10.05m/33'0"
Mass in Running Order (inc. tolerance)	1351kg/26.6cwt	1479kg/29.1cwt	1558kg/30.7cwt	1545kg/30.4cwt
Maximum Technical Permissible Laden Mass (Lower limit)	1477kg/29.1cwt	1630kg/32.1cwt	1714kg/33.7cwt	1701kg/33.5cwt
Maximum Technical Permissible Laden Mass (Upper limit)	1500kg/29.5cwt	1650kg/32.5cwt	1750kg/33.4cwt	1750kg/33.4cwt
Total user Payload	126kg/2.5cwt	151kg/3.0cwt	156kg/3.1cwt	156kg/3.1cwt
Personal Effects	126kg/2.5cwt	151kg/3.0cwt	156kg/3.1cwt	156kg/3.1cwt
Options	0.0kg/0.0cwt	0.0kg/0.0cwt	0.0kg/0.0cwt	0.0kg/0.0cwt
Tyre Size	185 R14C 102 Q	195/70 R15C 104 R	195/70 R15C 104 R	195/70 R15C 104 R
Tyre pressure at Lower limit MTPLM	4.3 bar / 62 psi	4.5 bar / 65 psi	4.5 bar / 65 psi	4.5 bar / 65 psi
Tyre pressure at Upper limit MTPLM	4.4 bar / 64 psi	4.5 bar / 65 psi	4.5 bar / 65 psi	4.5 bar / 65 psi
Static Load on Coupling Head	100kg	100kg	100kg	100kg
Thermal Insulation Grade	THREE	THREE	THREE	THREE
<b>Bed Sizes</b>				
Front Double	200cm x 178cm/67" x 5'10"	200cm x 178cm/67" x 5'10"	200cm x 153cm/67" x 5'0"	200cm x 163cm/67" x 5'4"
or Front Nearside Single	188cm x 67cm/62" x 2'2"	178cm x 67cm/5'10" x 2'2"	153cm x 67cm/5'0" x 2'2"	163cm x 67cm/5'4" x 2'2"
and Front Offside Single	178cm x 67cm/5'10" x 2'2"	188cm x 67cm/62" x 2'2"	163cm x 67cm/5'4" x 2'2"	163cm x 67cm/5'4" x 2'2"
Rear Double			190cm x 133cm/6'3" x 4'4"	
Rear Bunk				
Side Single (offside)		180cm x 62cm/5'11" x 2'0"		172cm x 75cm/5'8" x 2'6"
Side Single (nearside)				190cm x 75cm/6'3" x 2'6"
Side Bunk (offside)		176cm x 59cm/5'9" x 1'11"		
Side Fixed Lower Bunk				
Side Fixed Upper Bunk				

**Masses:** The masses are calculated in accordance to EU regulation 1230/2012 and NCC code of practice 304.

The Mass in Running Order (MRO) comprises:

1. The mass of the empty caravan as supplied by Swift including loose items such as the hook-up cable, kit bag, entrance step, manuals etc.
2. 10kg allowance for LPG

The MRO is calculated with the fresh water tank, toilet flush tank and water heater empty. If you travel with water in the fresh water tank, toilet flush tank and the water heater the payload will reduce accordingly.

The personal effects is based on the number of berths and the length of the caravan and includes an allowance of 20kg for a leisure battery.

The Maximum Technical Laden Mass (MTPLM) is the maximum mass allowed when the caravan is fully laden.

**WARNING: Under no circumstances should the MTPLM be exceeded**

Elegance 580	Elegance 645	Elegance 650
4	4	4
1	2	2
5.93m/19'5"	6.36m/20'10"	6.36m/20'10"
2.28m/7'6"	2.28m/7'6"	2.28m/7'6"
2.59m/8'6"	2.59m/8'6"	2.59m/8'6"
1.95m/6'5"	1.95m/6'5"	1.95m/6'5"
7.54m/24'9"	7.98m/26'2"	7.98m/26'2"
10.05m/33'0"	10.49m/34'5"	10.49m/34'5"
1530kg/30.1cwt	1643kg/32.3cwt	1670kg/32.9cwt
1686kg/33.2cwt	1803kg/35.5cwt	1830kg/36.0cwt
1750kg/33.4cwt	2000kg/39.4cwt	2000kg/39.4cwt
156kg/3.1cwt	160kg/3.1cwt	160kg/3.1cwt
156kg/3.1cwt	160kg/3.1cwt	160kg/3.1cwt
0.0kg/0.0cwt	0.0kg/0.0cwt	0.0kg/0.0cwt
195/70 R15C 104 R	185/70 R14 88 T	185/70 R14 88 T
4.5 bar / 65 psi	2.2 bar / 32 psi	2.2 bar / 32 psi
4.5 bar / 65 psi	2.5 bar / 36 psi	2.5 bar / 36 psi
100kg	100kg	100kg
THREE	THREE	THREE
200cm x 163cm/67" x 5'4"	200cm x 153cm/67" x 5'0"	200cm x 163cm/67" x 5'4"
163cm x 67cm/54" x 2'2"	153cm x 67cm/5'0" x 2'2"	163cm x 67cm/54" x 2'2"
163cm x 67cm/54" x 2'2"	153cm x 67cm/5'0" x 2'2"	163cm x 67cm/54" x 2'2"
182cm x 133cm/6'0" x 4'4"	182cm x 133cm/6'0" x 4'4"	182cm x 133cm/6'0" x 4'4"

**Bed Sizes:** Please note that the front double bed sizes quoted are for seating configurations without chest of drawers. The front double bed width for a layout with a chest of drawers fitted will be reduced by 0.4m(1'4") from that stated.

**Awning sizes:** Due to the varying awning designs and sizes the awning sizes given are approximate only. Specific awning sizes must be confirmed by your dealer or the awning manufacturer prior to purchase.

Est = Estimated weight or bed size

\*\*The dimensions given are approximate due to slight variations in suspension ride heights, loading conditions and tyre pressures.

Customers should verify the actual dimensions of their touring caravan before committing to anything that could be impacted by these dimensions

**Please note:** Any dealer fit options will reduce the overall payload available to the user of the caravan.

If you require additional payload it is possible to upgrade the MTPLM to the upper limit. Please contact your caravan dealer for more information.



# Elegance Grande Specification

Elegance	Elegance Grande 835	Elegance Grande 845	Elegance Grande 845
Berths	4	4	6
Axles	2	2	2
Internal Length (bed box height)	6.36m/20'10"	6.36m/20'10"	6.36m/20'10"
Overall Width*	2.45m/8'0"	2.45m/8'0"	2.45m/8'0"
Overall Height (inc. TV Aerial)*	2.59m/8'6"	2.59m/8'6"	2.59m/8'6"
Maximum Internal Headroom	1.95m/6'5"	1.95m/6'5"	1.95m/6'5"
Overall Length*	7.98m/26'2"	7.98m/26'2"	7.98m/26'2"
Awning A/A dimension	10.49m/34'5"	10.49m/34'5"	10.49m/34'5"
Mass in Running Order (inc. tolerance)	1745kg/34.3cwt	1710kg/33.7cwt	1740kg/34.3cwt
Maximum Technical Permissible Laden Mass (Lower limit)	1905kg/37.5cwt	1870kg/36.5cwt	1900kg/37.4cwt
Maximum Technical Permissible Laden Mass (Upper limit)	2000kg/39.4cwt	2000kg/39.4cwt	2000kg/39.4cwt
Total user Payload	160kg/3.1cwt	160kg/3.1cwt	160kg/3.1cwt
Personal Effects	160kg/3.1cwt	160kg/3.1cwt	160kg/3.1cwt
Options	0.0kg/0.0cwt	0.0kg/0.0cwt	0.0kg/0.0cwt
Tyre Size	185/70 R14 88 T	185/70 R14 88 T	185/70 R14 88 T
Tyre pressure at Lower limit MTPLM	2.3 bar / 33 psi	2.3 bar / 33 psi	2.3 bar / 33 psi
Tyre pressure at Upper limit MTPLM	2.5 bar / 36 psi	2.5 bar / 36 psi	2.5 bar / 36 psi
Static Load on Coupling Head	100kg	100kg	100kg
Thermal Insulation Grade	THREE	THREE	THREE
<b>Bed Sizes</b>			
Front Double	218cm x 153cm/72" x 50"	218cm x 153cm/72" x 50"	194cm x 121cm/6'4" x 4'0"
Side Double			
or Front Nearside Single and Front Offside Single	153cm x 70cm/50" x 2'4"	153cm x 70cm/50" x 2'4"	
Rear Double	184cm x 133cm/60" x 44"	184cm x 133cm/60" x 44"	189cm x 143cm/6'2" x 4'8"
Rear Bunk			
Side Fixed Lower Bunk Single (nearside)			
Side Fixed Upper Bunk Single (nearside)			

**Masses:** The masses are calculated in accordance to EU regulation 1230/2012 and NCC code of practice 304.

The Mass in Running Order (MRO) comprises:

1. The mass of the empty caravan as supplied by Swift including loose items such as the hook-up cable, kit bag, entrance step, manuals etc.
2. 10kg allowance for LPG

The MRO is calculated with the fresh water tank, toilet flush tank and water heater empty. If you travel with water in the fresh water tank, toilet flush tank and the water heater the payload will reduce accordingly.

The personal effects is based on the number of berths and the length of the caravan and includes an allowance of 20kg for a leisure battery.

The Maximum Technical Laden Mass (MTPLM) is the maximum mass allowed when the caravan is fully laden.

**WARNING: Under no circumstances should the MTPLM be exceeded**

**Bed Sizes:** Please note that the front double bed sizes quoted are for seating configurations without chest of drawers. The front double bed width for a layout with a chest of drawers fitted will be reduced by 0.4m(1'4") from that stated.

**Awning sizes:** Due to the varying awning designs and sizes the awning sizes given are approximate only. Specific awning sizes must be confirmed by your dealer or the awning manufacturer prior to purchase.

Est = Estimated weight or bed size

\*\*The dimensions given are approximate due to slight variations in suspension ride heights, loading conditions and tyre pressures.

Customers should verify the actual dimensions of their touring caravan before committing to anything that could be impacted by these dimensions

**Please note:** Any dealer fit options will reduce the overall payload available to the user of the caravan.

If you require additional payload it is possible to upgrade the MTPLM to the upper limit. Please contact your caravan dealer for more information.

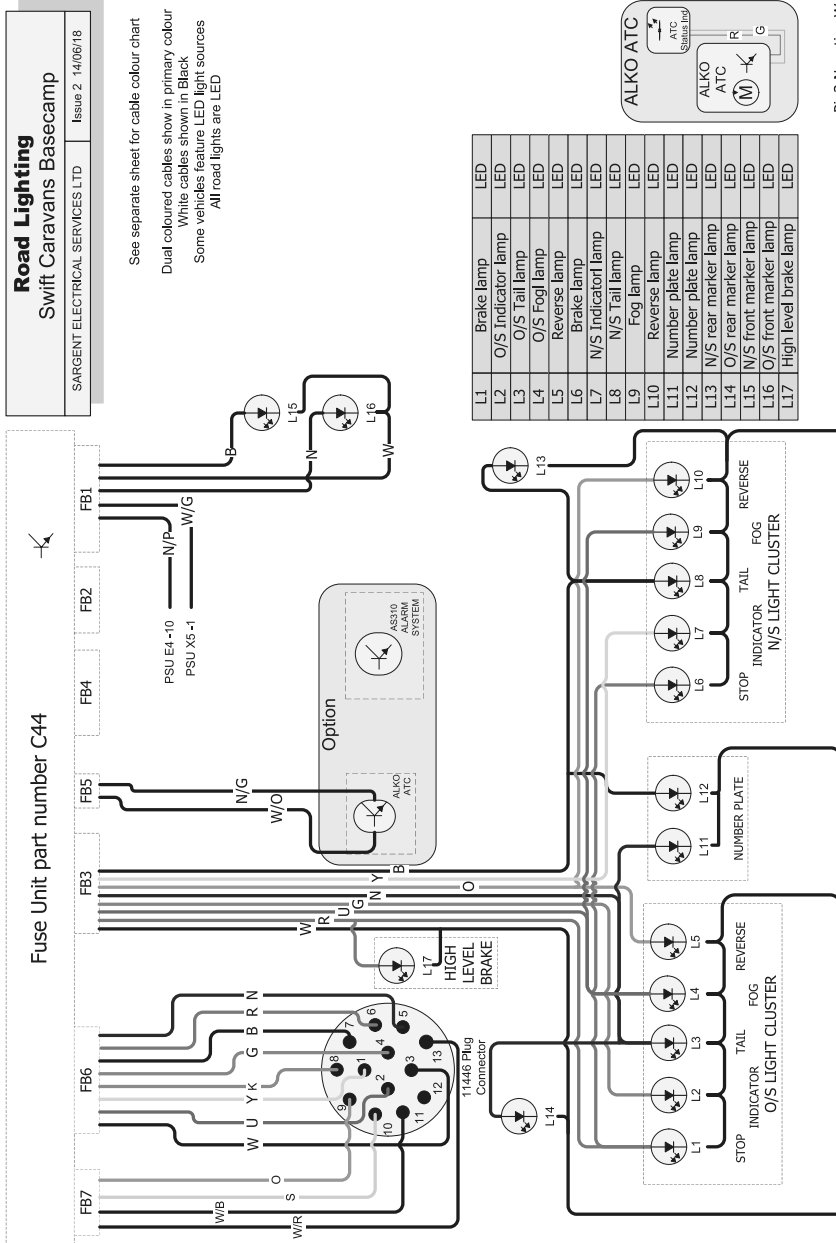
# Wiring Diagrams - Road Lighting

## Basecamp

### Road Lighting Swift Caravans Basecamp

SARGENT ELECTRICAL SERVICES LTD Issue 2, 14/06/18

See separate sheet for cable colour chart  
 Dual coloured cables show in primary colour  
 White cables shown in Black  
 Some vehicles feature LED light sources  
 All road lights are LED

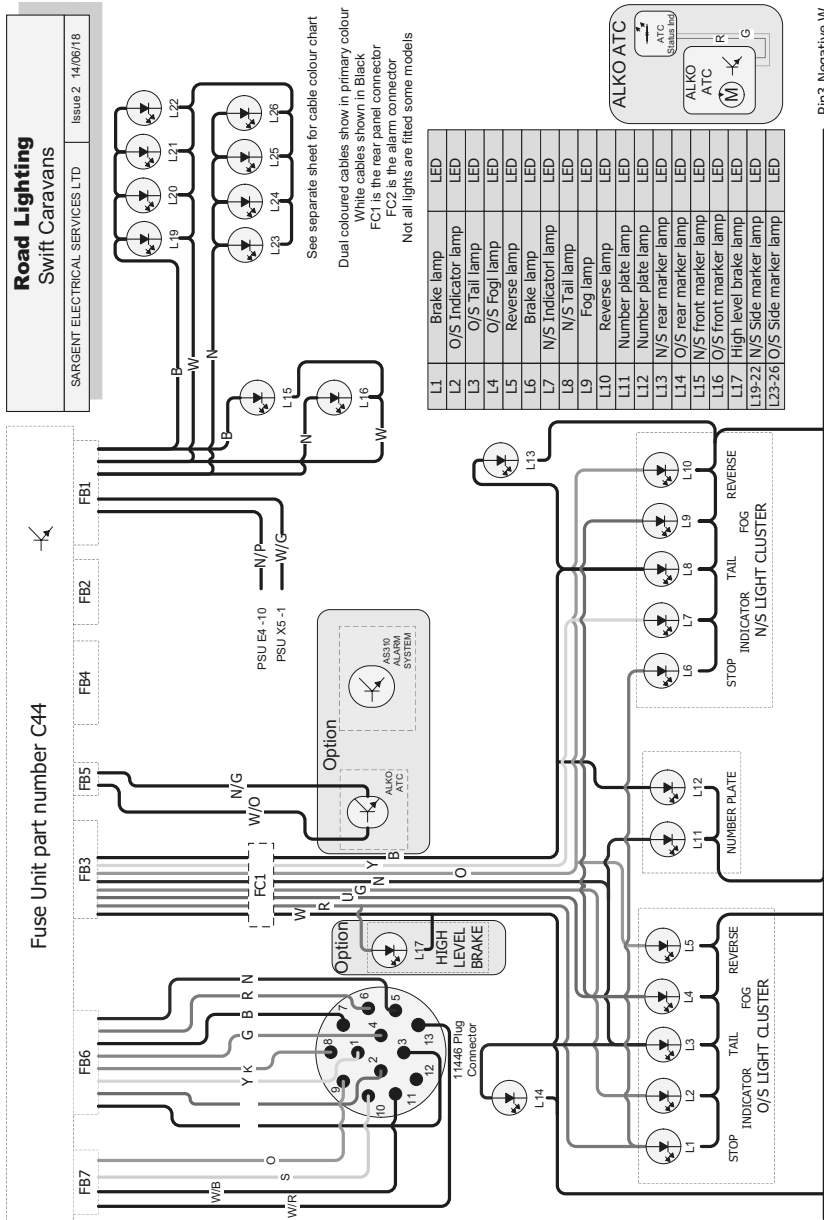


Pin3 Negative W

Copyright Sargent Electrical Services Ltd. 2017 all rights reserved. Subject to change without prior notice.

# Wiring Diagrams - Road Lighting

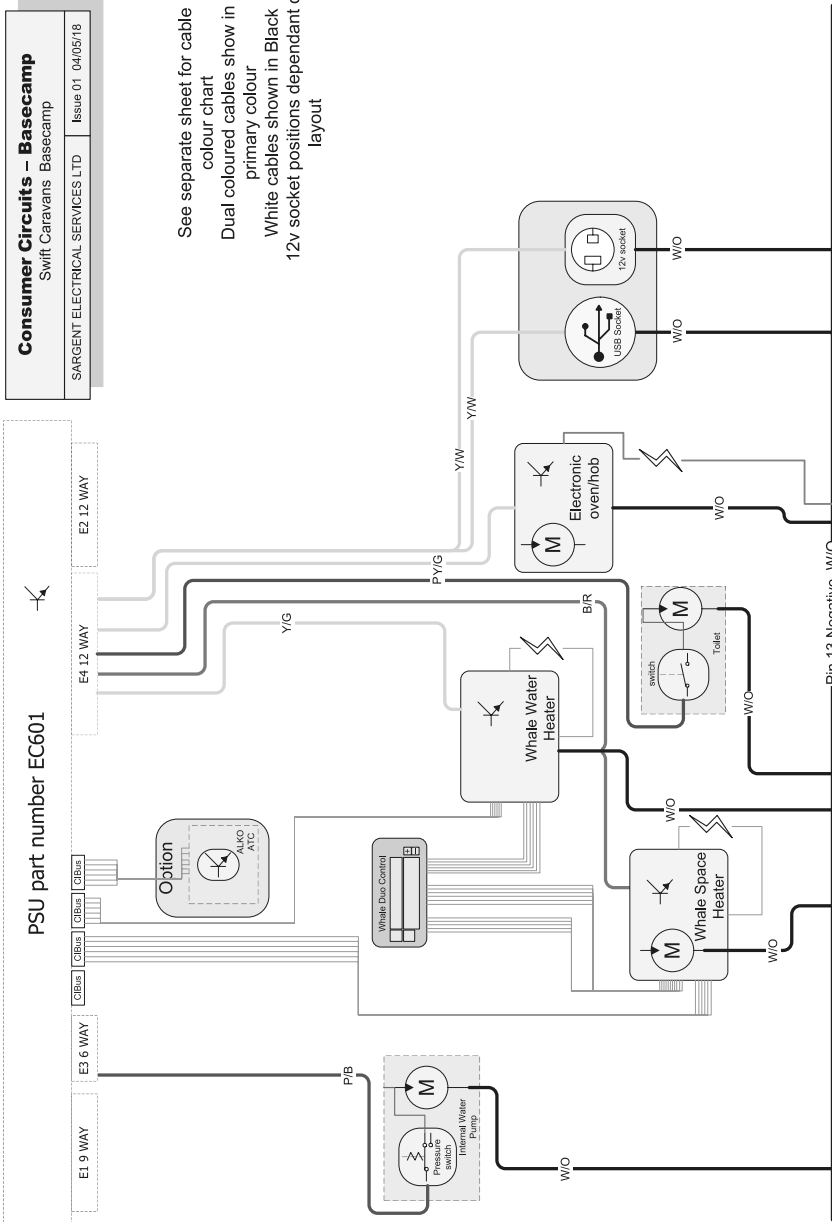
## Sprite, Sprite Super, Challenger, Eccles, Challenger X, Eccles X, Elegance & Elegance Grande



Copyright Sargent Electrical Services Ltd. 2017. All rights reserved. Subject to change without prior notice.

# Wiring Diagrams - Consumer Circuits

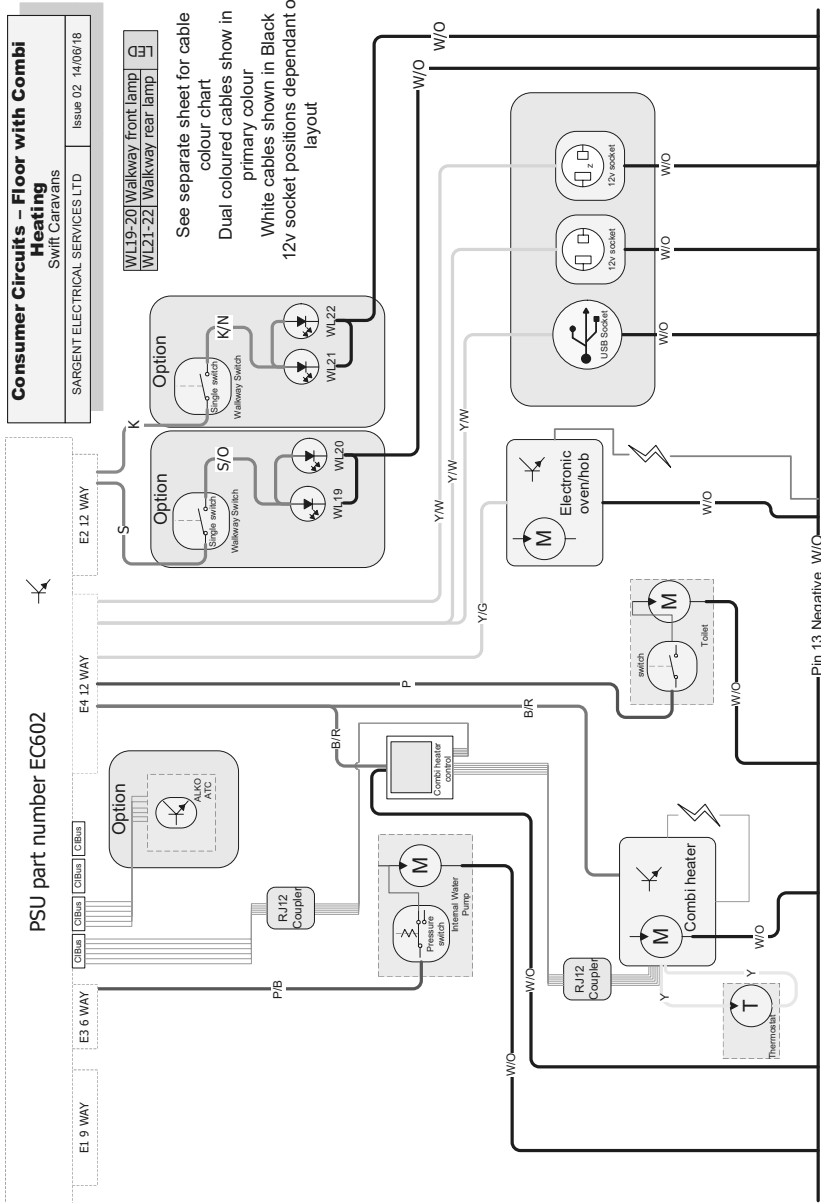
## Basecamp



Copyright Sargent Electrical Services Ltd, 2017 all rights reserved. Subject to change without prior notice.

# Wiring Diagrams - Consumer Circuits

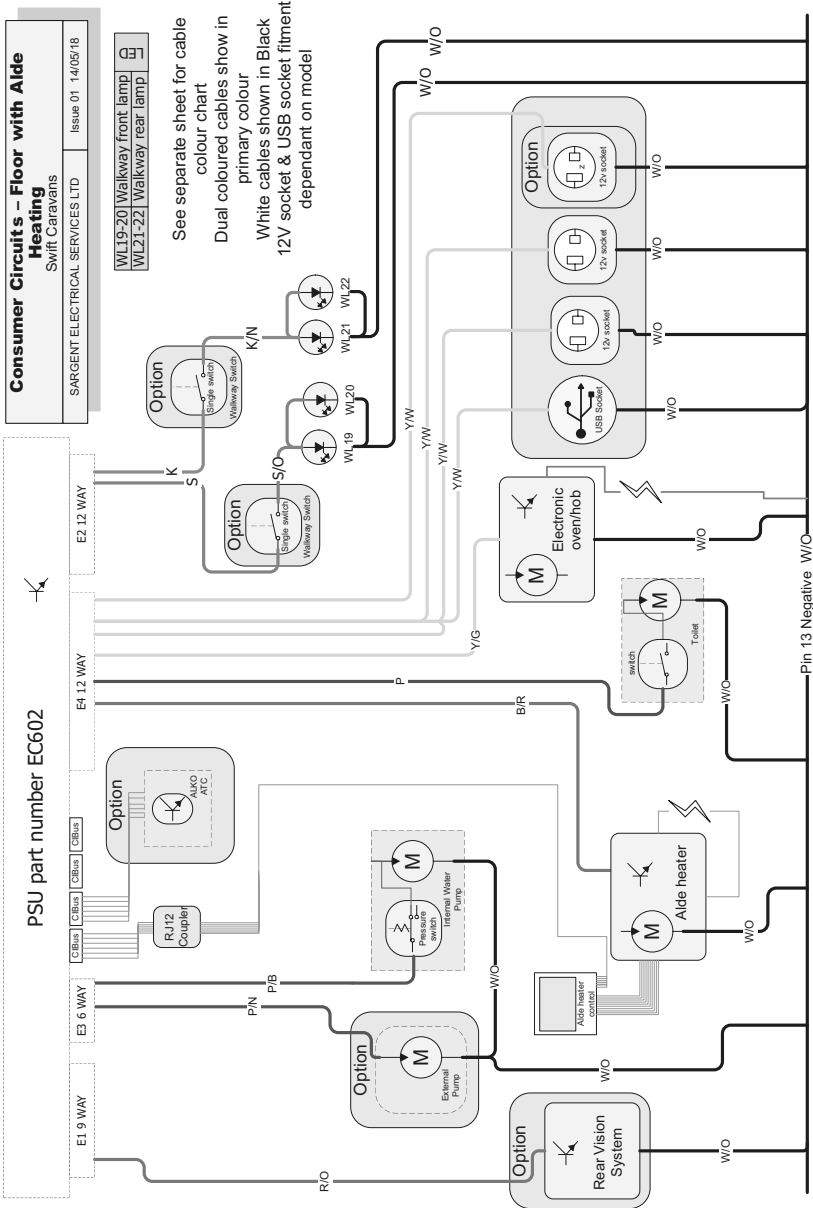
## Floor with Combi heating: Sprite and Sprite Super



Copyright Sargent Electrical Services Ltd 2017 all rights reserved. Subject to change without prior notice.

# Wiring Diagrams - Consumer Circuits

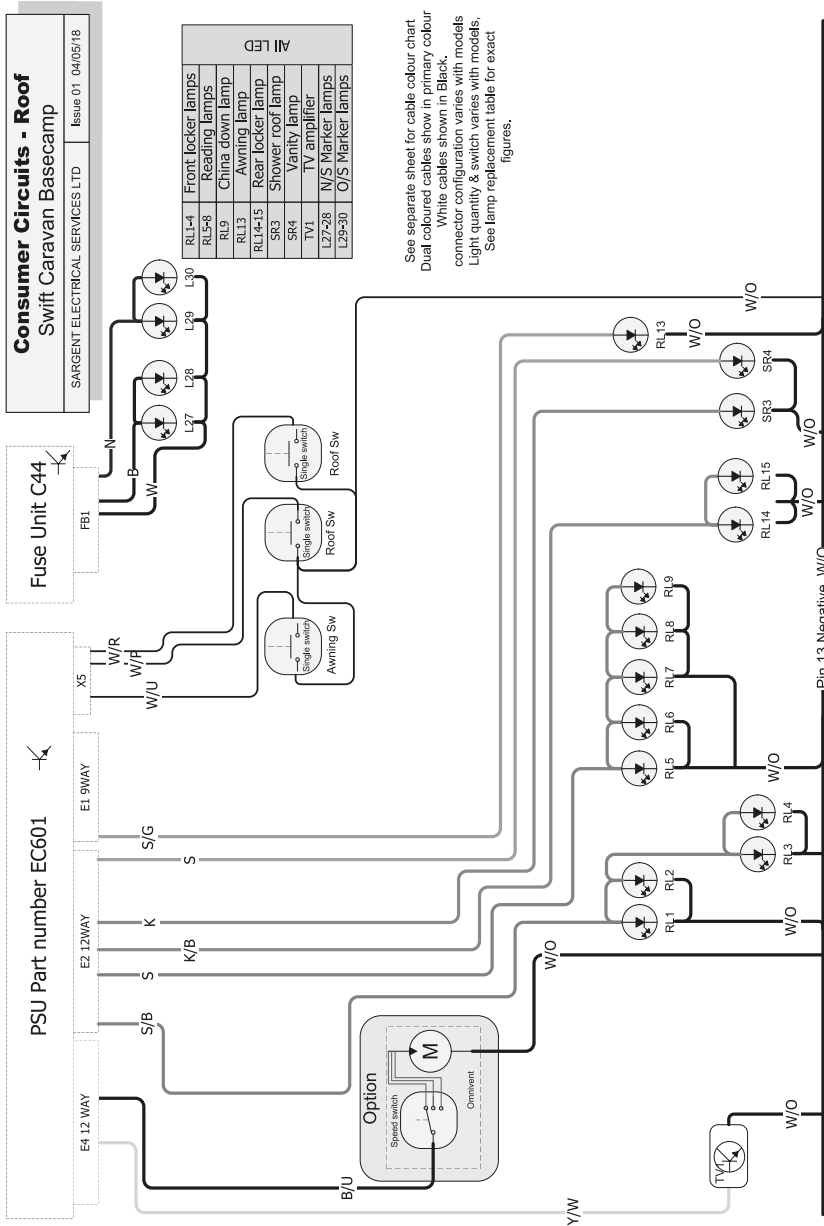
## Floor with Alde heating - Challenger, Challenger X, Eccles, Eccles X, Elegance & Elegance Grande



Copyright Sargent Electrical Services Ltd. 2017 all rights reserved. Subject to change without prior notice.

# Wiring Diagrams - Consumer Circuits - Roof

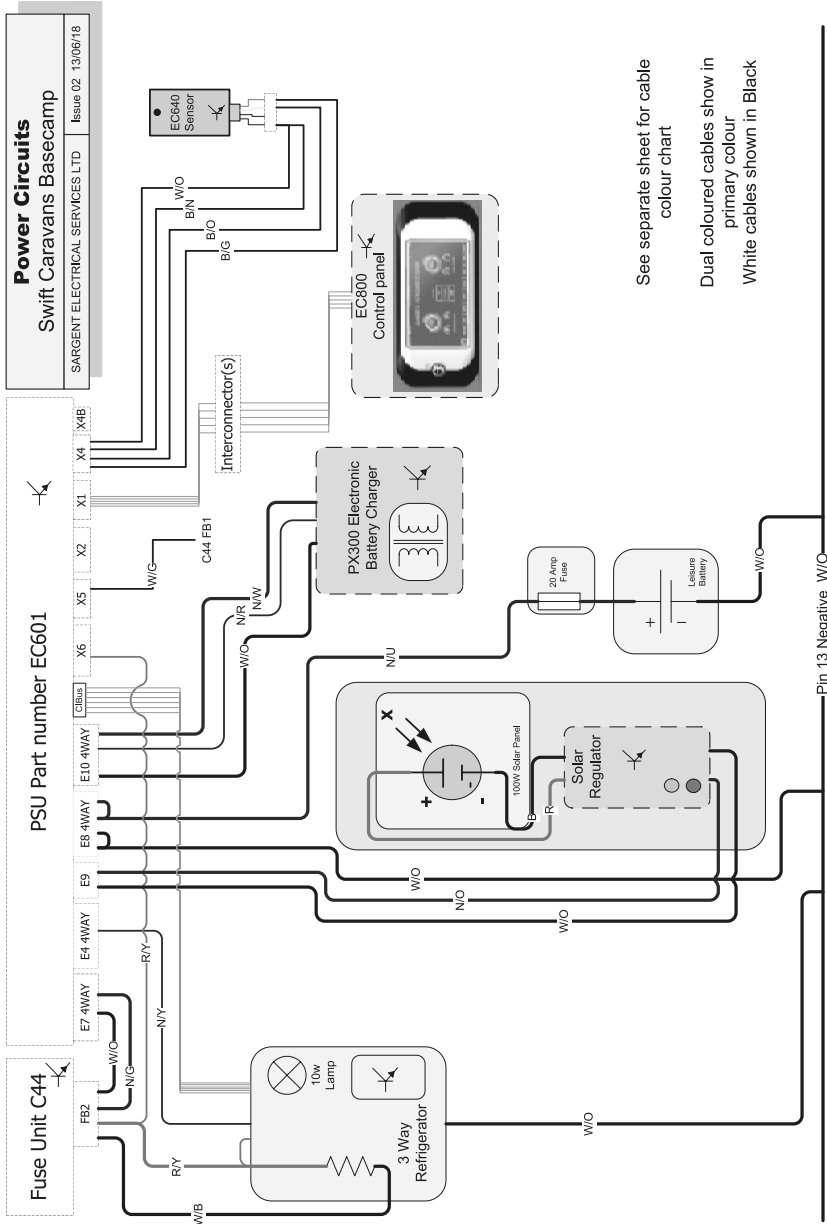
## Basecamp



Copyright Sargent Electrical Services Ltd. 2017. All rights reserved. Subject to change without prior notice.







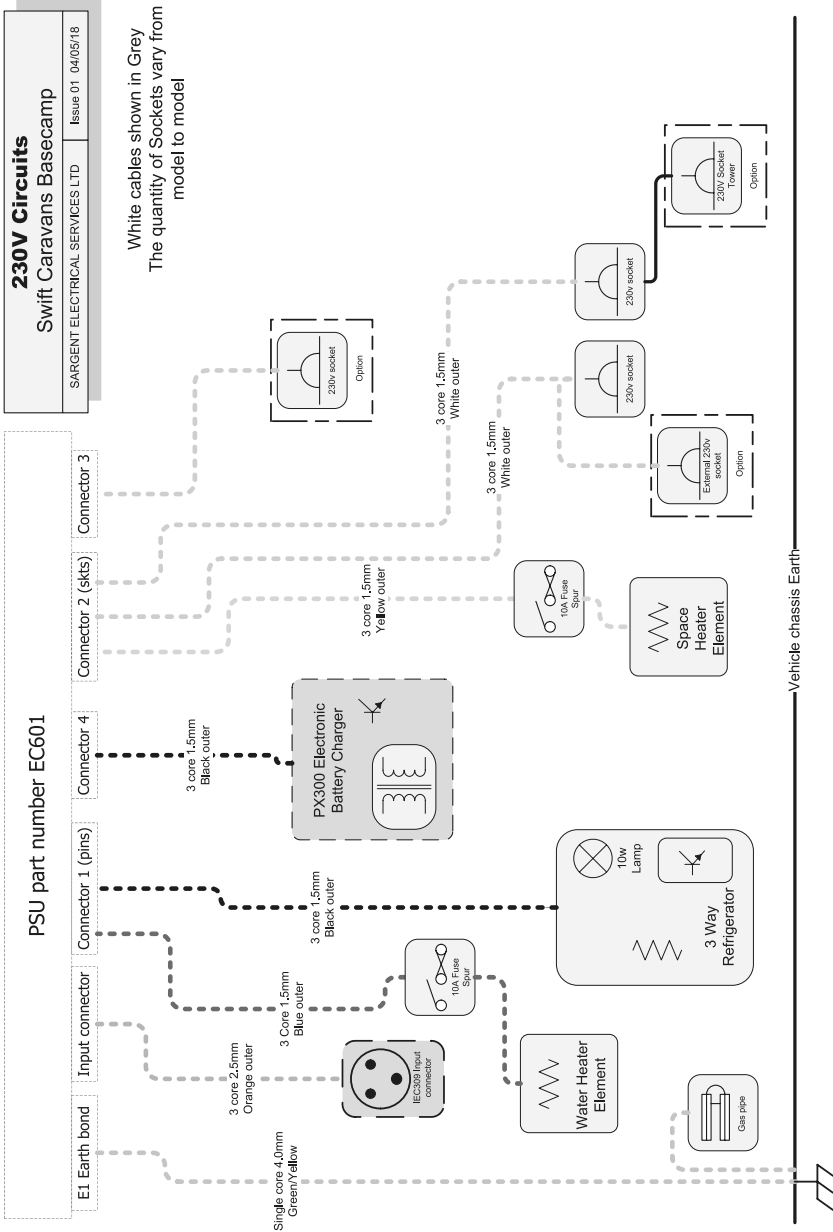
See separate sheet for cable colour chart

Dual coloured cables show in primary colour  
White cables shown in Black



# Wiring Diagrams - 230V Circuits

Basecamp



Copyright Sargent Electrical Services Ltd. 2017. All rights reserved. Subject to change without prior notice.

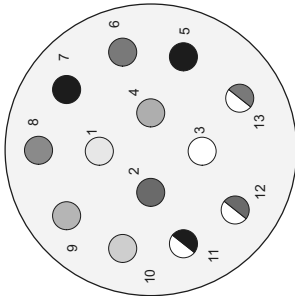


# Wiring Diagrams - 13 Pin Socket

## ISO 11446 Circuits

Swift Group Caravans (where applicable)

SARGENT ELECTRICAL SERVICES LTD Issue 01 06/07/10

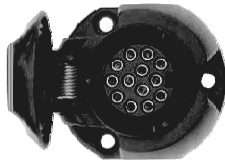


It is possible to get adaptors that convert two sockets on the towbar to a single 13 pin ISO socket, and vice versa.

Connection lead from 12N 7 pin socket plus 12S 7 pin socket to 13pin Euro Socket. (Converts a vehicle with two 7 pin sockets to a caravan with a 13 pin plug)

Please be aware that some car and adaptor manufacturers don't provide the fridge power connections

11446 Plug Connector viewed from cable entry on plug



Pin No	Core Colour	Core Size	Function
1	Yellow	1.5	Left Hand Indicator Light
2	Blue	1.5	Rear Fog Warning Light(s)
3	White	2.5	Earth for pins 1 - 8
4	Green	1.5	Right Hand Indicator Light
5	Brown	1.5	Right Hand Tail Light
6	Red	1.5	Brake Lights
7	Black	1.5	Left Hand Tail Light
8	Pink	1.5	Reverse Light(s)
9	Orange	2.5	Car +ve
10	Slate (Grey)	2.5	Fridge +ve
11	White/Black	2.5	Earth for pin 10
12	White/Blue	1.5	Not Yet Allocated
13	White/Red	2.5	Earth for pin 9

# Wiring Diagrams - Cable Colour Chart

<b>Cable Colour Chart</b>	
Swift range	
SARGENT ELECTRICAL SERVICES LTD	Issue 01 21/05/18

Example



**Y/U** Yellow cable with Blue stripe

## 230v Cable Colours

<b>B</b>	BLACK
<b>N</b>	BROWN
<b>W</b>	WHITE
<b>O</b>	ORANGE
<b>Y</b>	YELLOW
<b>G</b>	GREEN
<b>U</b>	BLUE

## 12v Cable Colours

<b>B</b>	BLACK
<b>N</b>	BROWN
<b>R</b>	RED
<b>O</b>	ORANGE
<b>Y</b>	YELLOW
<b>G</b>	GREEN
<b>U</b>	BLUE
<b>P</b>	PURPLE
<b>S</b>	SLATE GREY
<b>W</b>	WHITE
<b>K</b>	PINK

Copyright Sargent Electrical Services Ltd. 2017 all rights reserved. Subject to change without prior notice.

## ROAD LIGHT BULB ACCESS

### REAR LIGHT CLUSTERS (CONTAINING INDICATOR, TAIL / STOP, REVERSE AND FOG LAMPS):

- These multi-function lights are LED and have no user serviceable parts inside.
- Replacement clusters can be fitted in the following way:
- Remove three screws visible around the perimeter of the cluster
- Pull the cluster away from the rear panel of the tourer, taking care to not put excessive strain on the electrical connections behind the lamp
- Unplug the electrical connection from the rear of the lamp, by releasing the tab and lifting the connector upwards relative to the cluster
- Plug the connector back into the replacement lamp, position the lamp into the recess and replace the three fixing screws.

### FRONT LOW LEVEL MARKER / POSITION LAMPS (CLEAR LENSE)

- These lamps are LED and have no user serviceable parts inside.
- Replacements should be undertaken by your dealer, as the lamps are sealed onto the mounting panel.

### HIGH LEVEL BRAKE LAMP

- This lamp is single piece and has no user serviceable parts inside.
- Replacements should be undertaken by your dealer, as the lamps are sealed onto the mounting panel.

## NUMBER PLATE LAMPS

- These lamps are single piece and have no user serviceable parts inside.
- Replacements should be undertaken by your dealer, as the lamps are sealed onto the mounting panel.

### SIDE MARKER / POSITION LAMPS (AMBER LENSE)

- These lamps are LED and have no user serviceable parts inside.
- Replacements should be undertaken by your dealer, as the lamps are sealed onto the mounting panel.

### UPPER SIDE MARKER / POSITION LAMPS (RED AND WHITE LENSE)

- These lamps are LED and have no user serviceable parts inside.
- Replacement should be undertaken by your dealer, as the lamp is sealed onto the mounting panel.



# Dealer Special specifications based on Sprite

Based on	Alpine 2	Alpine 4	Major 4 SB	Major 4 EB
<b>Dealer</b>				
LEISURE SALES	MARBURY		ASTBURY	HENBURY
PRESTON	KUDOS 440	KUDOS 470	KUDOS 530SB	KUDOS 530EB
GRANTHAM	SIENA 2	SIENA 4	SIENA 4SB	SIENA 4EB
SPINNEY	SPINNEY A2	SPINNEY A4	SPINNEY M4SB	SPINNEY M4EB
WHITE ARCHES	WOODFORD	HARTWELL	TWYWELL	ROCKINGHAM
LOWDHAM	FREESTYLE S2	FREESTYLE S4	FREESTYLE S4EB	FREESTYLE S4EB
SUSSEX	CHILGROVE	GOODWOOD	FINDON	AMBERLEY
BROADLANE	FAIRWAY 460	FAIRWAY 470	FAIRWAY 580	FAIRWAY 560
SWINDON	VOGUE 480		VOGUE 580	VOGUE 560
MG CARAVANS	ACCORD 480	ACCORD 510	ACCORD 580	ACCORD 560
YC LEISURE	EXCLUSIVE 2	EXCLUSIVE 4	EXCLUSIVE 4SB	EXCLUSIVE 4EB
TORKSEY			AVENTURA M4SB	AVENTURA M4EB
WANDAHOME	AMBASSADOR	ENVOY	DIPLOMAT	GLOBETROTTER
3As		CHARISMA 470	CHARISMA 580	CHARISMA 560
HIGHBRIDGE		COASTLINE DESIGN A4	COASTLINE DESIGN M4SB	COASTLINE DESIGN M4EB
KIRCALDY			EUROPA 580	EUROPA 560
KIMBERLEY	ICON 2	ICON 4	ICON T4	ICON I4
GLOSSOP		CELEBRATE 4	CELEBRATE 4SB	CELEBRATE 4EB
COUPLANDS	FINESSE 480	FINESSE 500	FINESSE 580	FINESSE 560
Berths	2	4	4	4
Axles	1	1	1	1
Internal Length (bed box height)	4.34m/143"	4.74m/157"	5.83m/192"	5.83m/192"
Overall Width**	2.25m/75"	2.25m/75"	2.25m/75"	2.25m/75"
Overall Height (inc. TV Aerial)**	2.59m/86"	2.59m/86"	2.59m/86"	2.59m/86"
Maximum Internal Headroom	1.95m/65"	1.95m/65"	1.95m/65"	1.95m/65"
Overall Length**	6.05m/19'10"	6.45m/21'2"	7.54m/24'9"	7.54m/24'9"
Awning A/A dimension	8.59m/28'2"	8.99m/29'6"	10.08m/33'1"	10.08m/33'1"
Mass in Running Order (inc. tolerance)	1112kg/21.9cwt	1154kg/22.7cwt	1306kg/25.7cwt	1344kg/26.5cwt
Maximum Technical Permissible Laden Mass (Lower limit)	1233kg/24.3cwt	1300kg/25.6cwt	1462kg/28.8cwt	1500kg/29.5cwt
Maximum Technical Permissible Laden Mass (Upper limit)	1250kg/24.6cwt	1300kg/25.6cwt	1500kg/29.5cwt	1500kg/29.5cwt
Total user Payload	121kg/2.4cwt	146kg/2.9cwt	156kg/3.1cwt	156kg/3.1cwt
Personal Effects	121kg/2.4cwt	145kg/2.9cwt	156kg/3.1cwt	156kg/3.1cwt
Options	0kg/0cwt	0kg/0cwt	0kg/0cwt	0kg/0cwt
Tyre Size	185 R14C 102Q	185 R14C 102Q	185 R14C 102Q	185 R14C 102Q
Tyre pressure at Lower limit MTPLM	3.4 bar / 49 psi	3.7 bar / 54 psi	4.2 bar / 61 psi	4.4 bar / 64 psi
Tyre pressure at Upper limit MTPLM	3.5 bar / 51 psi	3.7 bar / 54 psi	4.4 bar / 64 psi	4.4 bar / 64 psi
Static Load on Coupling Head	100kg	100kg	100kg	100kg
Thermal Insulation Grade	THREE	THREE	THREE	THREE
<b>Bed Sizes</b>				
Front Double	202cm x 180cm/68" x 5'11"	202cm x 128cm/68" x 4'2"	202cm x 159cm/68" x 5'3"	202cm x 159cm/68" x 5'3"
or Front Nearside Single	190cm x 72cm/63" x 2'4"		159cm x 72cm/53" x 2'4"	159cm x 72cm/53" x 2'4"
and Front Offside Single	180cm x 72cm/51" x 2'4"		159cm x 72cm/53" x 2'4"	159cm x 72cm/53" x 2'4"
Rear Double		189cm x 132cm/62" x 4'4"	185cm x 133cm/61" x 4'4"	190cm x 133cm/63" x 4'4"
Side Single (offside)				
Side Single (nearside)				
Side Bunk (offside)				
Side Bunk (nearside)				
Side Fixed Lower Bunk				
Side Fixed Upper Bunk				

**Masses:** The masses are calculated in accordance to EU regulation 1230/2012 and NCC code of practice 304.

The Mass in Running Order (MRO) comprises:

1. The mass of the empty caravan as supplied by Swift including loose items such as the hook-up cable, kit bag, entrance step, manuals etc.
2. 10kg allowance for LPG

The MRO is calculated with the fresh water tank, toilet flush tank and water heater empty. If you travel with water in the fresh water tank, toilet flush tank and the water heater the payload will reduce accordingly.

The personal effects is based on the number of berths and the length of the caravan and includes an allowance of 20kg for a leisure battery.

The Maximum Technical Laden Mass (MTPLM) is the maximum mass allowed when the caravan is fully laden.

**WARNING: Under no circumstances should the MTPLM be exceeded**

Major 6	Major 6 TD	Quattro EW	Quattro FB
	PRESTBURY	WRENBURY L	
KUDOS 560	KUDOS 580	KUDOS 630EW	KUDOS 630FB
SIENA 6	SIENA 6TD	SIENA EW	
SPINNEY M6	SPINNEY M6TD	SPINNEY QEW	SPINNEY QFB
	COTTINGHAM		
	FREESTYLE S6TD		
	WASHINGTON		
	FAIRWAY 590		
VOGUE 585	VOGUE 590		
ACCORD 590S	ACCORD 590	ACCORD 630	
EXCLUSIVE 6	EXCLUSIVE 6TD	EXCLUSIVE EW	EXCLUSIVE 6FB
	AVENTURA M6TD	AVENTURA Q6EW	AVENTURA Q6FB
COURIER	VISCOUNT	PIONEER	PRESTIGE
	CHARISMA 590		
		COASTLINE DESIGN Q6EW	
EUROPA 590	EUROPA 590TD		
	ICON 6		
	CELEBRATE 6TD	CELEBRATE QEW	CELEBRATE QFB
FINESSE 570	FINESSE 590	FINESSE 635	FINESSE 625
6	6	6	6
1	1	2	2
5.60m/18'4"	5.83m/19'2"	6.27m/20'7"	6.27m/20'7"
2.25m/7'5"	2.25m/7'5"	2.25m/7'5"	2.25m/7'5"
2.59m/8'6"	2.59m/8'6"	2.59m/8'6"	2.59m/8'6"
1.95m/6'5"	1.95m/6'5"	1.95m/6'5"	1.95m/6'5"
7.31m/24'0"	7.54m/24'9"	7.98m/26'2"	7.98m/26'2"
9.85m/32'4"	10.09m/33'1"	10.52m/34'6"	10.52m/34'6"
1326kg/26.1cwt	1374kg/27.0cwt	1460kg/28.5cwt	1470kg/28.9cwt
1500kg/29.5cwt	1550kg/30.5cwt	1640kg/32.3cwt	1650kg/32.5cwt
1500kg/29.5cwt	1550kg/30.5cwt	1800kg/35.4cwt	1800kg/35.4cwt
174kg/3.4cwt	176kg/3.5cwt	180kg/3.5cwt	180kg/3.5cwt
174kg/3.4cwt	176kg/3.5cwt	180kg/3.5cwt	180kg/3.5cwt
0kg/0cwt	0kg/0cwt	0kg/0cwt	0kg/0cwt
185 R14C 102Q	185 R14C 102Q	185/70 R14 88T	185/70 R14 88T
4.4 bar / 64 psi	4.5 bar / 65 psi	2.0 bar / 29 psi	2.0 bar / 29 psi
4.4 bar / 64 psi	4.5 bar / 65 psi	2.2 bar / 32 psi	2.2 bar / 32 psi
100kg	100kg	100kg	100kg
THREE	THREE	THREE	THREE
202cm x 170cm/6'8" x 5'7"	202cm x 180cm/6'8" x 5'11"	206cm x 134cm/6'9" x 4'5"	202cm x 180cm/6'8" x 5'11"
	190cm x 72cm/6'3" x 2'4"		180cm x 72cm/5'11" x 2'4"
	180cm x 72cm/5'11" x 2'4"		190cm x 72cm/6'3" x 2'4"
		194cm x 132cm/6'4" x 4'4"	192cm x 132cm/6'4" x 4'4"
180cm x 83cm/5'11" x 2'9"		180cm x 62cm/5'11" x 2'0"	180cm x 62cm/5'11" x 2'0"
	180cm x 67cm/5'11" x 2'2"		
176cm x 59cm/5'9" x 1'11"		176cm x 59cm/5'9" x 1'11"	176cm x 59cm/5'9" x 1'11"
	176cm x 59cm/5'9" x 1'11"		
183cm x 57cm/6'0" x 1'10"	183cm x 57cm/6'0" x 1'10"		
183cm x 57cm/6'0" x 1'10"	183cm x 57cm/6'0" x 1'10"		

**Bed Sizes:** Please note that the front double bed sizes quoted are for seating configurations without chest of drawers. The front double bed width for a layout with a chest of drawers fitted will be reduced by 0.4m(1'4") from that stated.

**Awning sizes:** Due to the varying awning designs and sizes the awning sizes given are approximate only. Specific awning sizes must be confirmed by your dealer or the awning manufacturer prior to purchase.

Est = Estimated weight or bed size

\*\*The dimensions given are approximate due to slight variations in suspension ride heights, loading conditions and tyre pressures.

Customers should verify the actual dimensions of their touring caravan before committing to anything that could be impacted by these dimensions

**Please note:** Any dealer fit options will reduce the overall payload available to the user of the caravan.

If you require additional payload it is possible to upgrade the MTPLM to the upper limit. Please contact your caravan dealer for more information.

# Dealer Special specifications based on Sprite Super

Based on	Sprite Super Quattro FB	Sprite Super Quattro DB	Sprite Super Quattro EB
<b>Dealer</b>			
LEISURE SALES	WRENBURY FBW		WRENBURY EBW
PRESTON	KUDOS 830FB	KUDOS 830DB	KUDOS 830EB
GRANTHAM	SIENA SUPER FB	SIENA SUPER DB	SIENA SUPER EB
SPINNEY	SPINNEY SUPER QFB	SPINNEY SUPER QDB	SPINNEY SUPER QEB
WHITE ARCHES	CALDECOTT	HARRINGWORTH	
LOWDHAM		FREESTYLE SUPER TWIN DB	FREESTYLE SUPER TWIN EB
SWINDON			VOGUE GRANDE 635
MG CARAVANS	ACCORD 820	ACCORD 825	ACCORD 835
YC LEISURE	EXCLUSIVE 6FB SUPER	EXCLUSIVE 6DB SUPER	EXCLUSIVE 6EB SUPER
TORKSEY		AVENTURA SQ6 DB	AVENTURA SQ6 EB
WANDAHOME	NIGHSTAR	SUPERSTAR	DAWNSTAR
3A's	CHARISMA 825	CHARISMA 815	CHARISMA 835
HIGHBRIDGE	COASTLINE DESIGN Q6FB SUPER		COASTLINE DESIGN Q4EB SUPER
KIRCALDY	EUROPA 840	EUROPA 866	EUROPA 860
KIMBERLEY	ICON Q6		ICON Q4
GLOSSOP	CELEBRATE SUPER QFB	CELEBRATE SUPER QDB	CELEBRATE SUPER QEB
COUPLANDS	FINESSE 825	FINESSE 865	FINESSE 835
Berths	6	6	4
Axles	2	2	2
Internal Length (bed box height)	6.27m/207"	6.27m/207"	6.27m/207"
Overall Width**	2.46m/8'1"	2.46m/8'1"	2.46m/8'1"
Overall Height (inc. TV Aerial)**	2.59m/8'6"	2.59m/8'6"	2.59m/8'6"
Maximum Internal Headroom	1.95m/6'5"	1.95m/6'5"	1.95m/6'5"
Overall Length**	7.98m/26'2"	7.98m/26'2"	7.98m/26'2"
Awning A/A dimension	10.56m/34'8"	10.56m/34'8"	10.56m/34'8"
Mass in Running Order (inc. tolerance)	1545kg/30.4cwt	1541kg/30.3cwt	1566kg/30.8cwt
Maximum Technical Permissible Laden Mass (Lower limit)	1725kg/34.0cwt	1721kg/33.9cwt	1726kg/34.0cwt
Maximum Technical Permissible Laden Mass (Upper limit)	1800kg/35.4cwt	1800kg/35.4cwt	1800kg/35.4cwt
Total user Payload	180kg/3.5cwt	180kg/3.5cwt	160kg/3.1cwt
Personal Effects	180kg/3.5cwt	180kg/3.5cwt	160kg/3.1cwt
Options	0kg/0cwt	0kg/0cwt	0kg/0cwt
Tyre Size	185/70 R14 88T	185/70 R14 88T	185/70 R14 88T
Tyre pressure at Lower limit MTPLM	2.1 bar / 30 psi	2.1 bar / 30 psi	2.1 bar / 30 psi
Tyre pressure at Upper limit MTPLM	2.2 bar / 32 psi	2.2 bar / 32 psi	2.2 bar / 32 psi
Static Load on Coupling Head	100kg	100kg	100kg
Thermal Insulation Grade	THREE	THREE	THREE
<b>Bed Sizes</b>			
Front Double	225cm x 180cm/7'4" x 5'11"	225cm x 180cm/7'4" x 5'11"	225cm x 163cm/7'4" x 5'4"
or Front Nearside Single and Front Offside Single	180cm x 73cm/5'11" x 2'5"	180cm x 73cm/5'11" x 2'5"	163cm x 73cm/5'4" x 2'5"
Rear Double	196cm x 135cm/6'5" x 4'5"		187cm x 133cm/6'2" x 4'4"
Side Double (offside)	190cm x 134cm/6'3" x 4'5"	190cm x 134cm/6'3" x 4'5"	
Side Fixed Lower Bunk		182cm x 72cm/6'0" x 2'4"	
Side Fixed Upper Bunk		182cm x 72cm/6'0" x 2'4"	
Side Single (offside)			
Side Single (nearside)			
Side Bunk (offside)			
Side Bunk (nearside)			
Side Fixed Lower Bunk			
Side Fixed Upper Bunk			

**Masses:** The masses are calculated in accordance to EU regulation 1230/2012 and NCC code of practice 304.

The Mass in Running Order (MRO) comprises:

1. The mass of the empty caravan as supplied by Swift including loose items such as the hook-up cable, kit bag, entrance step, manuals etc.
2. 10kg allowance for LPG

The MRO is calculated with the fresh water tank, toilet flush tank and water heater empty. If you travel with water in the fresh water tank, toilet flush tank and the water heater the payload will reduce accordingly.

The personal effects is based on the number of berths and the length of the caravan and includes an allowance of 20kg for a leisure battery.

The Maximum Technical Laden Mass (MTPLM) is the maximum mass allowed when the caravan is fully laden.

**WARNING: Under no circumstances should the MTPLM be exceeded**

**Bed Sizes:** Please note that the front double bed sizes quoted are for seating configurations without chest of drawers. The front double bed width for a layout with a chest of drawers fitted will be reduced by 0.4m(1'4") from that stated.

**Awning sizes:** Due to the varying awning designs and sizes the awning sizes given are approximate only. Specific awning sizes must be confirmed by your dealer or the awning manufacturer prior to purchase.

Est = Estimated weight or bed size

\*\*The dimensions given are approximate due to slight variations in suspension ride heights, loading conditions and tyre pressures.

Customers should verify the actual dimensions of their touring caravan before committing to anything that could be impacted by these dimensions

**Please note:** Any dealer fit options will reduce the overall payload available to the user of the caravan.

If you require additional payload it is possible to upgrade the MTPLM to the upper limit. Please contact your caravan dealer for more information.

## Dealer Special specifications based on Challenger / Eccles with Alde

Based on	Challenger / Eccles 480	Challenger / Eccles 530	Challenger / Eccles 560	Eccles / Challenger 580
<b>Dealer</b>				
BARDSEA	WINDERMERE 480	WINDERMERE 530	WINDERMERE 560	
BROADLANE	PLATINUM FAIRWAY 480	PLATINUM FAIRWAY 530	PLATINUM FAIRWAY 560	PLATINUM FAIRWAY 580
NEWPORT	GTS 480	GTS 530	GTS 560	GTS 580
SUSSEX			AMBERLEY	
GRANTHAM	ELITE 480	ELITE 530	ELITE 560	ELITE 580
SALOP	CELESTE 480SE	CELESTE 530SE	CELESTE 560SE	CELESTE 580SE
LOWDHAMS	HI-STYLE 480		HI-STYLE 560	HI-STYLE 580
WHITE ARCHES	ARCHWAY 480	ARCHWAY 530	ARCHWAY 560	
WANDAHOME	CORNICHE 16/2	CORNICHE 17/4	CORNICHE 19/4	CORNICHE 20/4
LOWE & RHODES	SOLITAIRE 480	SOLITAIRE 530	SOLITAIRE 560	SOLITAIRE 580
GLOSSOP			CELEBRATION 560	
3A's			SIGNATURE 560	SIGNATURE 580
LOWDHAMS			ECCLES HI-STYLE 560	
KIMBERLEY	ICON TREND 2		ICON TREND I4	ICON TREND T4
Berths	2	4	4	4
Axles	1	1	1	1
Internal Length (bed box height)	4.95m/16'3"	5.29m/17'4"	5.83m/19'2"	5.83m/19'2"
Overall Width**	2.23m/7'4"	2.23m/7'4"	2.23m/7'4"	2.23m/7'4"
Overall Height (inc. TV Aerial)**	2.61m/8'7"	2.61m/8'7"	2.61m/8'7"	2.61m/8'7"
Maximum Internal Headroom	1.95m/6'5"	1.95m/6'5"	1.95m/6'5"	1.95m/6'5"
Overall Length**	6.66m/21'10"	7.00m/23'0"	7.54m/24'9"	7.54m/24'9"
Awning A/A dimension	9.32m/30'7"	9.66m/31'8"	10.20m/33'6"	10.20m/33'6"
Mass in Running Order (inc. tolerance)	1307kg/25.7cwt	1375kg/27.1cwt	1464kg/28.8cwt	1437kg/28.3cwt
Maximum Technical Permissible Laden Mass (Lower limit)	1434kg/28.2cwt	1526kg/30.0cwt	1620kg/31.9cwt	1593kg/31.4cwt
Maximum Technical Permissible Laden Mass (Upper limit)	1500kg/29.5cwt	1550kg/30.5cwt	1650kg/32.5cwt	1650kg/32.5cwt
Total user Payload	127kg/2.5cwt	151kg/3.0cwt	156kg/3.1cwt	156kg/3.1cwt
Personal Effects	127kg/2.5cwt	151kg/3.0cwt	156kg/3.1cwt	156kg/3.1cwt
Options	0kg/0cwt	0kg/0cwt	0kg/0cwt	0kg/0cwt
Tyre Size	185 R14C 102Q	185 R14C 102Q	195/70 R15C 104R	195/70 R15C 104R
Tyre pressure at Lower limit MTPLM	4.1 bar / 59 psi	4.5 bar / 65 psi	4.5 bar / 65 psi	4.5 bar / 65 psi
Tyre pressure at Upper limit MTPLM	4.4 bar / 64 psi	4.5 bar / 65 psi	4.5 bar / 65 psi	4.5 bar / 65 psi
Static Load on Coupling Head	100kg	100kg	100kg	100kg
Thermal Insulation Grade	THREE	THREE	THREE	THREE
<b>Bed Sizes</b>				
Front Double	202cm x 186cm/6'8" x 6'1"	202cm x 176cm/6'8" x 5'9"	202cm x 156cm/6'8" x 5'1"	202cm x 156cm/6'8" x 5'1"
or Front Nearside Single	196cm x 72cm/6'4" x 2'4"	176cm x 72cm/5'9" x 2'4"	156cm x 72cm/5'1" x 2'4"	156cm x 72cm/5'1" x 2'4"
and Front Offside Single	186cm x 72cm/6'1" x 2'4"	186cm x 72cm/6'1" x 2'4"	156cm x 72cm/5'1" x 2'4"	156cm x 72cm/5'1" x 2'4"
Rear Double			190cm x 133cm/6'3" x 4'4"	185cm x 133cm/6'1" x 4'4"
Side Single (offside)		180cm x 62cm/5'11" x 2'0"		
Side Single (nearside)				
Side Bunk (offside)		176cm x 59cm/5'9" x 1'11"		
Side Bunk (nearside)				
Side Fixed Lower Bunk				
Side Fixed Upper Bunk				

**Masses:** The masses are calculated in accordance to EU regulation 1230/2012 and NCC code of practice 304.

The Mass in Running Order (MRO) comprises:

1. The mass of the empty caravan as supplied by Swift including loose items such as the hook-up cable, kit bag, entrance step, manuals etc.
2. 10kg allowance for LPG

The MRO is calculated with the fresh water tank, toilet flush tank and water heater empty. If you travel with water in the fresh water tank, toilet flush tank and the water heater the payload will reduce accordingly.

The personal effects is based on the number of berths and the length of the caravan and includes an allowance of 20kg for a leisure battery.

The Maximum Technical Laden Mass (MTPLM) is the maximum mass allowed when the caravan is fully laden.

**WARNING: Under no circumstances should the MTPLM be exceeded**

Challenger / Eccles 645	Challenger / Eccles 650
GTS 645	
ELITE 645	ELITE 650
CELESTE 645SE	CELESTE 650SE
ARCHWAY 645	
SOLITAIRE 645	
CELEBRATION 645	
SIGNATURE 645	SIGNATURE 650
4	4
2	2
6.27m/207"	6.27m/207"
2.23m/7'4"	2.23m/7'4"
2.61m/8'7"	2.61m/8'7"
1.95m/6'5"	1.95m/6'5"
7.98m/26'2"	7.98m/26'2"
10.52m/34'6"	10.52m/34'6"
1571kg/30.9cwt	1589kg/30.9cwt
1731kg/34.1cwt	1749kg/34.4cwt
2000kg/39.4cwt	2000kg/39.4cwt
160kg/3.1cwt	160kg/3.1cwt
160kg/3.1cwt	160kg/3.1cwt
0kg/0cwt	0kg/0cwt
185/70 R14 88T	185/70 R14 88T
2.1 bar / 30 psi	2.1 bar / 30 psi
2.5 bar / 36 psi	2.5 bar / 36 psi
100kg	100kg
THREE	THREE
202cm x 156cm/6'8" x 5'1"	202cm x 156cm/6'8" x 5'1"
156cm x 72cm/5'1" x 2'4"	156cm x 72cm/5'1" x 2'4"
156cm x 72cm/5'1" x 2'4"	186cm x 72cm/6'1" x 2'4"
185cm x 133cm/6'1" x 4'4"	185cm x 133cm/6'1" x 4'4"

**Bed Sizes:** Please note that the front double bed sizes quoted are for seating configurations without chest of drawers. The front double bed width for a layout with a chest of drawers fitted will be reduced by 0.4m(1'4") from that stated.

**Awning sizes:** Due to the varying awning designs and sizes the awning sizes given are approximate only. Specific awning sizes must be confirmed by your dealer or the awning manufacturer prior to purchase.

Est = Estimated weight or bed size

\*\*The dimensions given are approximate due to slight variations in suspension ride heights, loading conditions and tyre pressures.

Customers should verify the actual dimensions of their touring caravan before committing to anything that could be impacted by these dimensions

**Please note:** Any dealer fit options will reduce the overall payload available to the user of the caravan.

If you require additional payload it is possible to upgrade the MTPLM to the upper limit. Please contact your caravan dealer for more information.

## Dealer Special specifications based on Challenger X & Eccles X

Based on	Challenger X / Eccles X 865	Challenger X / Eccles X 880	Challenger X / Eccles X 835	Challenger X / Eccles X 850
<b>Dealer</b>				
BARDSEA	WINDERMERE 865	WINDERMERE 880	WINDERMERE 835	WINDERMERE 850
BROADLANE	FAIRWAY 865	FAIRWAY 880	FAIRWAY 835	FAIRWAY 850
NEWPORT	GTS 865	GTS 880	GTS 835	GTS 850
SUSSEX	LOXWOOD 865	FINDON 880		DONNINGTON
GRANTHAM	ELITE 865	ELITE 880	ELITE 835	ELITE 850
SALOP	CELESTE 865	CELESTE 880	CELESTE 835	CELESTE 850
LOWDHAMS	HI-STYLE 865	HI-STYLE 880	HI-STYLE 835	HI-STYLE 850
WHITE ARCHES	ARCHWAY 865	ARCHWAY 880	ARCHWAY 835	
WANDAHOME	CORNICHE 18/8	CORNICHE 20/8	CORNICHE 21/8	CORNICHE 23/8
LOWE & RHODES	SOLITAIRE 865	SOLITAIRE 880	SOLITAIRE 835	SOLITAIRE 850
GLOSSOP	CELEBRATION 865	CELEBRATION 880	CELEBRATION 835	CELEBRATION 850
3A's	SIGNATURE 865	SIGNATURE 880	SIGNATURE 835	SIGNATURE 850
LOWDHAMS		ECCLES HI-STYLE 880		
KIMBERLEY		ICON TREND T8		ICON TREND I8
Berths	4	4	4	4
Axles	1	1	2	2
Internal Length (bed box height)	5.83m/19'2"	5.83m/19'2"	6.27m/20'7"	6.27m/20'7"
Overall Width**	2.45m/8'0"	2.45m/8'0"	2.45m/8'0"	2.45m/8'0"
Overall Height (inc. TV Aerial)**	2.61m/8'7"	2.61m/8'7"	2.59m/8'6"	2.59m/8'6"
Maximum Internal Headroom	1.95m/6'5"	1.95m/6'5"	1.95m/6'5"	1.95m/6'5"
Overall Length**	7.54m/24'9"	7.54m/24'9"	7.98m/26'2"	7.98m/26'2"
Awning A/A dimension	10.20m/33'6"	10.20m/33'6"	10.52m/34'6"	10.52m/34'6"
Mass in Running Order (inc. tolerance)	1545kg/30.4cwt	1536kg/30.2cwt	1693kg/33.3cwt	1679kg/33.1cwt
Maximum Technical Permissible Laden Mass (Lower limit)	1701kg/33.5cwt	1692kg/33.3cwt	1853kg/36.5cwt	1839kg/36.2cwt
Maximum Technical Permissible Laden Mass (Upper limit)	1750kg/34.4cwt	1750kg/34.4cwt	2000kg/39.4cwt	2000kg/39.4cwt
Total user Payload	156kg/3.1cwt	156kg/3.1cwt	160kg/3.1cwt	160kg/3.1cwt
Personal Effects	156kg/3.1cwt	156kg/3.1cwt	160kg/3.1cwt	160kg/3.1cwt
Options	0.0kg/0cwt	0.0kg/0cwt	0.0kg/0cwt	0.0kg/0cwt
Tyre Size	195/70 R15C 104 R	195/70 R15C 104 R	185/70 R14 88 T	185/70 R14 88 T
Tyre pressure at Lower limit MTPLM	4.5 bar / 65 psi	4.5 bar / 65 psi	2.3 bar / 33 psi	2.2 bar / 32 psi
Tyre pressure at Upper limit MTPLM	4.5 bar / 65 psi	4.5 bar / 65 psi	2.5 bar / 36 psi	2.5 bar / 36 psi
Static Load on Coupling Head	100kg	100kg	100kg	100kg
Thermal Insulation Grade	THREE	THREE	THREE	THREE
<b>Bed Sizes</b>				
Front Double	225cm x 159cm/7'4" x 5'3"	225cm x 159cm/7'4" x 5'3"	225cm x 159cm/7'4" x 5'3"	197cm x 127cm/6'6" x 4'2"
or Front Nearside Single	159cm x 73cm/5'3" x 2'5"	159cm x 73cm/5'3" x 2'5"	159cm x 73cm/5'3" x 2'5"	
and Front Offside Single	159cm x 73cm/5'3" x 2'5"	159cm x 73cm/5'3" x 2'5"	159cm x 73cm/5'3" x 2'5"	
Rear Double		187cm x 133cm/6'2" x 4'4"	187cm x 133cm/6'2" x 4'4"	187cm x 143cm/6'2" x 4'8"
Side Single (offside)	195cm x 81cm/6'5" x 2'8"			
Side Single (nearside)	200cm x 81cm/6'8" x 2'8"			
Side Bunk (offside)				
Side Bunk (nearside)				
Side Fixed Lower Bunk				
Side Fixed Upper Bunk				

**Masses:** The masses are calculated in accordance to EU regulation 1230/2012 and NCC code of practice 304.

The Mass in Running Order (MRO) comprises:

1. The mass of the empty caravan as supplied by Swift including loose items such as the hook-up cable, kit bag, entrance step, manuals etc.
2. 10kg allowance for LPG

The MRO is calculated with the fresh water tank, toilet flush tank and water heater empty. If you travel with water in the fresh water tank, toilet flush tank and the water heater the payload will reduce accordingly.

The personal effects is based on the number of berths and the length of the caravan and includes an allowance of 20kg for a leisure battery.

The Maximum Technical Laden Mass (MTPLM) is the maximum mass allowed when the caravan is fully laden.

**WARNING: Under no circumstances should the MTPLM be exceeded**

**Bed Sizes:** Please note that the front double bed sizes quoted are for seating configurations without chest of drawers. The front double bed width for a layout with a chest of drawers fitted will be reduced by 0.4m(1'4") from that stated.

**Awning sizes:** Due to the varying awning designs and sizes the awning sizes given are approximate only. Specific awning sizes must be confirmed by your dealer or the awning manufacturer prior to purchase.

Est = Estimated weight or bed size

\*\*The dimensions given are approximate due to slight variations in suspension ride heights, loading conditions and tyre pressures.

Customers should verify the actual dimensions of their touring caravan before committing to anything that could be impacted by these dimensions

**Please note:** Any dealer fit options will reduce the overall payload available to the user of the caravan.

If you require additional payload it is possible to upgrade the MTPLM to the upper limit. Please contact your caravan dealer for more information.



# Dealer Special specification based on Elegance

Based on	Elegance 480	Elegance 530		Elegance 565	Elegance 580
Dealer		CAMEO BY DESIGN 525 / CAMEO BY DESIGN 525/4		CAMEO BY DESIGN 565	CAMEO BY DESIGN 580
COUPLANDS	CAMEO BY DESIGN 495	CAMEO BY DESIGN 525 / CAMEO BY DESIGN 525/4		CAMEO BY DESIGN 565	CAMEO BY DESIGN 580
Berths	2	3	4	4	4
Axles	1	1		1	1
Internal Length (bed box height)	4.98m/16'4"	5.45m/17'11"		5.93m/19'5"	5.93m/19'5"
Overall Width*	2.28m/7'6"	2.28m/7'6"		2.28m/7'6"	2.28m/7'6"
Overall Height (inc. TV Aerial)*	2.59m/8'6"	2.59m/8'6"		2.59m/8'6"	2.59m/8'6"
Maximum Internal Headroom	1.95m/6'5"	1.95m/6'5"		1.95m/6'5"	1.95m/6'5"
Overall Length*	6.59m/21'7"	7.07m/23'2"		7.54m/24'9"	7.54m/24'9"
Awning A/A dimension	9.04m/29'8"	9.58m/31'5"		10.05m/33'0"	10.05m/33'0"
Mass in Running Order (inc. tolerance)	1451kg/28.6cwt	1529kg/30.1cwt	1549kg/30.5cwt	1595kg/31.4cwt	1585kg/31.2cwt
"Maximum Technical Permissible Laden Mass (Lower limit)"	1577kg/31.0cwt	1670kg/32.9cwt	1700kg/33.5cwt	1751kg/34.5cwt	1741kg/34.3cwt
"Maximum Technical Permissible Laden Mass (Upper limit)"	1750kg/34.4cwt	1800kg/35.4cwt		1800kg/35.4cwt	1800kg/35.4cwt
Total user Payload	126kg/2.5cwt	141kg/2.8cwt	151kg/3.0cwt	156kg/3.1cwt	156kg/3.1cwt
Personal Effects	126kg/2.5cwt	141kg/2.8cwt		156kg/3.1cwt	156kg/3.1cwt
Options	0.0kg/0.0cwt	0.0kg/0.0cwt		0.0kg/0.0cwt	0.0kg/0.0cwt
Tyre Size	195/70 R15C 104 R	205/70 R15C 106 R		205/70 R15C 106 R	205/70 R15C 106 R
Tyre pressure at Lower limit MTPLM	4.3 bar / 62 psi	4.5 bar / 65 psi		4.5 bar / 65 psi	4.5 bar / 65 psi
Tyre pressure at Upper limit MTPLM	4.5 bar / 65 psi	4.5 bar / 65 psi		4.5 bar / 65 psi	4.5 bar / 65 psi
Static Load on Coupling Head	100kg	100kg		100kg	100kg
Thermal Insulation Grade	THREE	THREE		THREE	THREE
<b>Bed Sizes</b>					
Front Double	200cm x 178cm/6'7" x 5'10"	200cm x 178cm/6'7" x 5'10"		200cm x 163cm/6'7" x 5'4"	200cm x 163cm/6'7" x 5'4"
or Front Nearside Single	188cm x 67cm/6'2" x 2'2"	178cm x 67cm/5'10" x 2'2"		163cm x 67cm/5'4" x 2'2"	163cm x 67cm/5'4" x 2'2"
and Front Offside Single	178cm x 67cm/5'10" x 2'2"	188cm x 67cm/6'2" x 2'2"		163cm x 67cm/5'4" x 2'2"	163cm x 67cm/5'4" x 2'2"
Rear Double					182cm x 133cm/6'0" x 4'4"
Rear Bunk					
Side Single (offside)		180cm x 62cm/5'11" x 2'0"		172cm x 75cm/5'8" x 2'6"	
Side Single (nearside)				190cm x 75cm/6'3" x 2'6"	
Side Bunk (offside)					

**Masses:** The masses are calculated in accordance to EU regulation 1230/2012 and NCC code of practice 304.

The Mass in Running Order (MRO) comprises:

1. The mass of the empty caravan as supplied by Swift including loose items such as the hook-up cable, kit bag, entrance step, manuals etc.
2. 10kg allowance for LPG

The MRO is calculated with the fresh water tank, toilet flush tank and water heater empty. If you travel with water in the fresh water tank, toilet flush tank and the water heater the payload will reduce accordingly.

The personal effects is based on the number of berths and the length of the caravan and includes an allowance of 20kg for a leisure battery.

The Maximum Technical Laden Mass (MTPLM) is the maximum mass allowed when the caravan is fully laden.

**WARNING: Under no circumstances should the MTPLM be exceeded**

Elegance 645	Elegance 650
CAMEO BY DESIGN 645	CAMEO BY DESIGN 650
4	4
2	2
6.36m/20'10"	6.36m/20'10"
2.28m/7'6"	2.28m/7'6"
2.59m/8'6"	2.59m/8'6"
1.95m/6'5"	1.95m/6'5"
7.98m/26'2"	7.98m/26'2"
10.49m/34'5"	10.49m/34'5"
1693kg/33.3cwt	1720kg/33.9cwt
1853kg/36.5cwt	1880kg/37.0cwt
2000kg/39.4cwt	2000kg/39.4cwt
160kg/3.1cwt	160kg/3.1cwt
160kg/3.1cwt	160kg/3.1cwt
0.0kg/0.0cwt	0.0kg/0.0cwt
185/70 R14 88 T	185/70 R14 88 T
2.3 bar / 33 psi	2.3 bar / 33 psi
2.5 bar / 36 psi	2.5 bar / 36 psi
100kg	100kg
THREE	THREE
200cm x 153cm/67" x 5'0"	200cm x 163cm/67" x 5'4"
153cm x 67cm/5'0" x 2'2"	163cm x 67cm/5'4" x 2'2"
153cm x 67cm/5'0" x 2'2"	163cm x 67cm/5'4" x 2'2"
182cm x 133cm/6'0" x 4'4"	182cm x 133cm/6'0" x 4'4"

**Bed Sizes:** Please note that the front double bed sizes quoted are for seating configurations without chest of drawers. The front double bed width for a layout with a chest of drawers fitted will be reduced by 0.4m(1'4") from that stated.

**Awning sizes:** Due to the varying awning designs and sizes the awning sizes given are approximate only. Specific awning sizes must be confirmed by your dealer or the awning manufacturer prior to purchase.

Est = Estimated weight or bed size

\*\*The dimensions given are approximate due to slight variations in suspension ride heights, loading conditions and tyre pressures.

Customers should verify the actual dimensions of their touring caravan before committing to anything that could be impacted by these dimensions

**Please note:** Any dealer fit options will reduce the overall payload available to the user of the caravan.

If you require additional payload it is possible to upgrade the MTPLM to the upper limit. Please contact your caravan dealer for more information.

# Dealer Special specification based on Elegance Grande

Based on	Elegance Grande 835	Elegance Grande 845	Elegance Grande 850
<b>Dealer</b>			
COUPLANDS	CAMEO BY DESIGN 835	CAMEO BY DESIGN 845	CAMEO BY DESIGN 850
Berths	4	4	4
Axles	2	2	2
Internal Length (bed box height)	6.36m/20'10"	6.36m/20'10"	6.36m/20'10"
Overall Width*	2.45m/8'0"	2.45m/8'0"	2.45m/8'0"
Overall Height (inc. TV Aerial)*	2.59m/8'6"	2.59m/8'6"	2.59m/8'6"
Maximum Internal Headroom	1.95m/6'5"	1.95m/6'5"	1.95m/6'5"
Overall Length*	7.97m/26'2"	7.97m/26'2"	7.97m/26'2"
Awning A/A dimension	10.49m/34'5"	10.49m/34'5"	10.49m/34'5"
Mass in Running Order (inc. tolerance)	1795kg/39.3cwt	1760kg/38.6cwt	1790kg/39.2cwt
Maximum Technical Permissible Laden Mass (Lower limit)	1955kg/38.5cwt	1920kg/37.8cwt	1950kg/38.4cwt
Maximum Technical Permissible Laden Mass (Upper limit)	2000kg/39.4cwt	2000kg/39.4cwt	2000kg/39.4cwt
Total user Payload	160kg/3.1cwt	160kg/3.1cwt	180kg/3.5cwt
Personal Effects	160kg/3.1cwt	160kg/3.1cwt	180kg/3.5cwt
Options	0.0kg/0.0cwt	0.0kg/0.0cwt	0.0kg/0.0cwt
Tyre Size	185/70 R14 88 T	185/70 R14 88 T	185/70 R14 88 T
Tyre pressure at Lower limit MTPLM	2.4 bar / 35 psi	2.4 bar / 35 psi	2.4 bar / 35 psi
Tyre pressure at Upper limit MTPLM	2.5 bar / 36 psi	2.5 bar / 36 psi	2.5 bar / 36 psi
Static Load on Coupling Head	100kg	100kg	100kg
Thermal Insulation Grade	THREE	THREE	THREE
<b>Bed Sizes</b>			
Front Double	218cm x 153cm/7'2" x 5'0"	218cm x 153cm/7'2" x 5'0"	194cm x 121cm/ 6'4" x 4'0"
Side Double drop down or Front Nearside Single and Front Offside Single	153cm x 70cm/5'0" x 2'4"	153cm x 70cm/5'0" x 2'4"	
Rear Double	184cm x 133cm/6'0" x 4'4"	184cm x 133cm/6'0" x 4'4"	189cm x 143cm/6'2" x 4'8"
Rear Bunk			
Side Fixed Lower Bunk Single (nearside)			
Side Fixed Upper Bunk Single (nearside)			

**Masses:** The masses are calculated in accordance to EU regulation 1230/2012 and NCC code of practice 304.

The Mass in Running Order (MRO) comprises:

1. The mass of the empty caravan as supplied by Swift including loose items such as the hook-up cable, kit bag, entrance step, manuals etc.
2. 10kg allowance for LPG

**Bed Sizes:** Please note that the front double bed sizes quoted are for seating configurations without chest of drawers. The front double bed width for a layout with a chest of drawers fitted will be reduced by 0.4m(1'4") from that stated.

**Awning sizes:** Due to the varying awning designs and sizes the awning sizes given are approximate only. Specific awning sizes must be confirmed by your dealer or the awning manufacturer prior to purchase.

The MRO is calculated with the fresh water tank, toilet flush tank and water heater empty. If you travel with water in the fresh water tank, toilet flush tank and the water heater the payload will reduce accordingly.

The personal effects is based on the number of berths and the length of the caravan and includes an allowance of 20kg for a leisure battery.

Est = Estimated weight or bed size

\*\*The dimensions given are approximate due to slight variations in suspension ride heights, loading conditions and tyre pressures.

Customers should verify the actual dimensions of their touring caravan before committing to anything that could be impacted by these dimensions

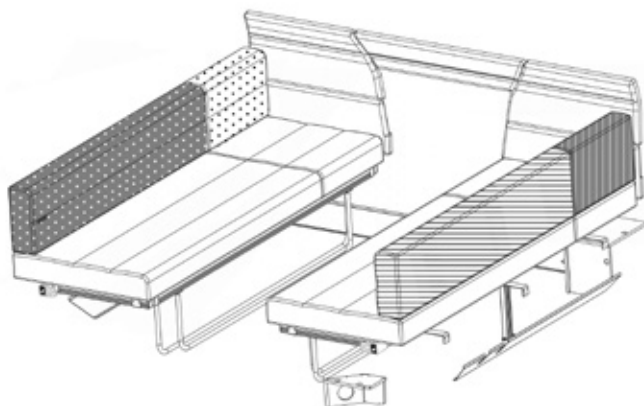
**Please note:** Any dealer fit options will reduce the overall payload available to the user of the caravan.

The Maximum Technical Laden Mass (MTPLM) is the maximum mass allowed when the caravan is fully laden.

**WARNING: Under no circumstances should the MTPLM be exceeded**

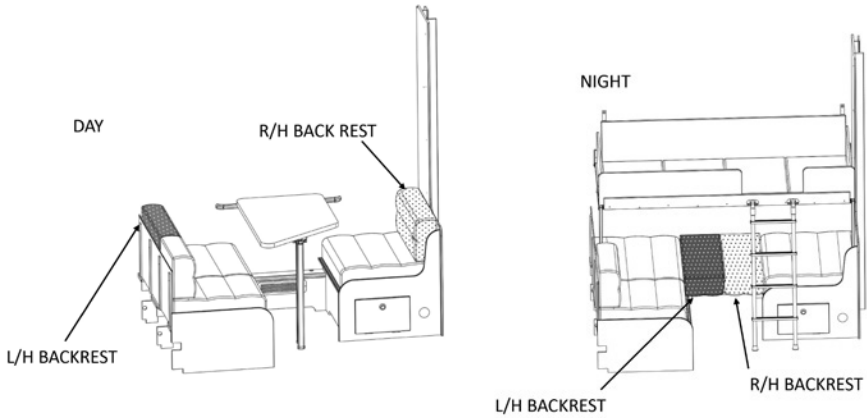
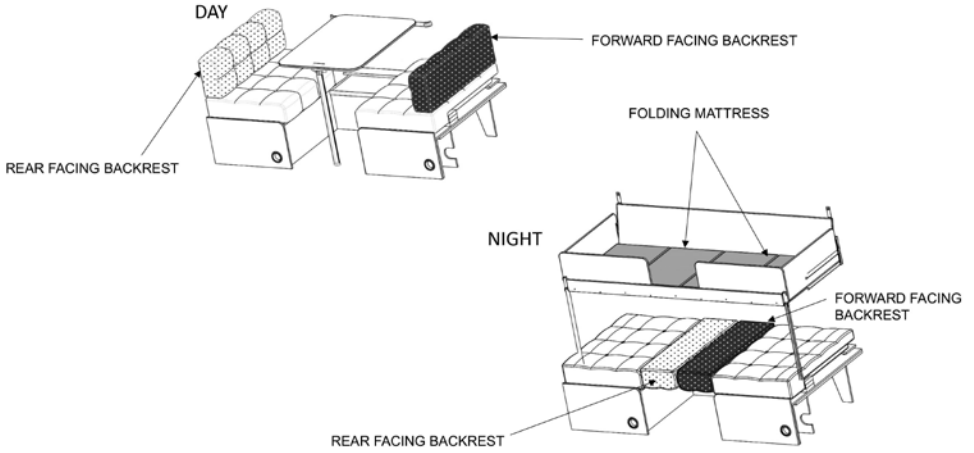
If you require additional payload it is possible to upgrade the MTPLM to the upper limit. Please contact your caravan dealer for more information.

## Bed make up in Basecamp



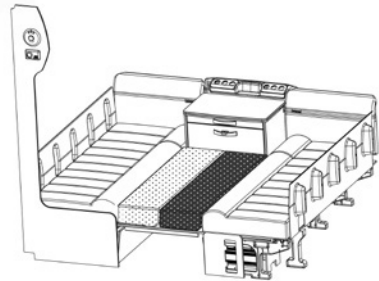
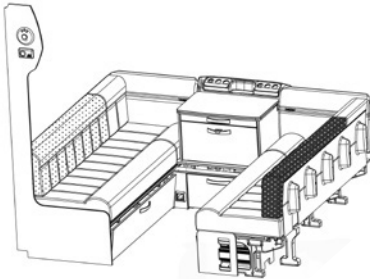
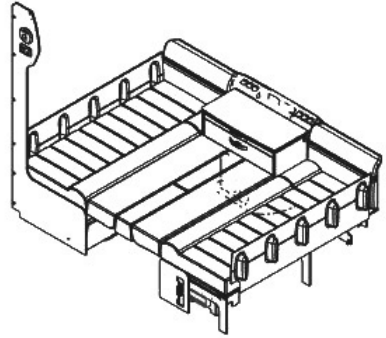
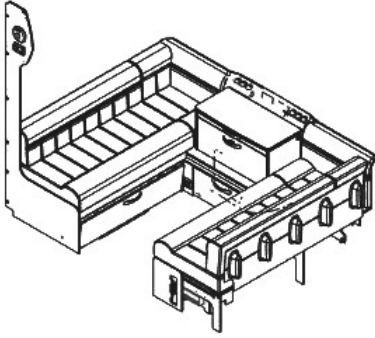
# Bed make up

**Bed make up in Sprite Major 6, Quattro EW, Eccles 530, Challenger 530 and Elegance 530 mid bed**



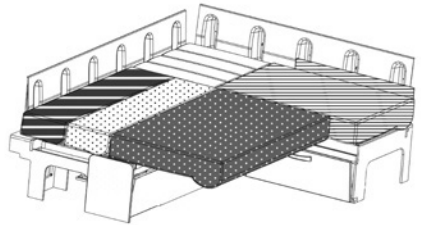
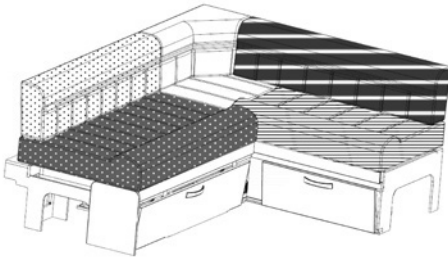
# Bed make up

## Bed make up in Sprite Super, Challenger X, Eccles X and Elegance Grande

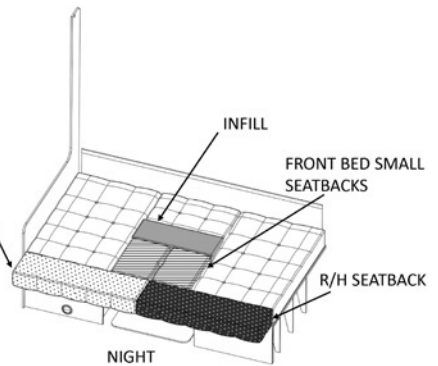
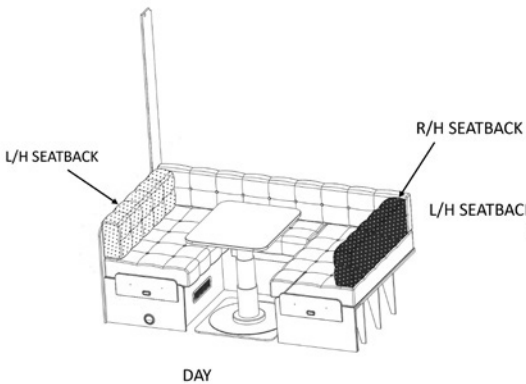


# Bed make up

## Bed make up in Challenger, Eccles, Challenger X, Eccles X, Elegance Grande 850 front bed



## Bed make up in Sprite Super mid bed



CREATING SMILES FOR LIFE



**SWIFT**

## **SWIFT GROUP**

Dunswell Road  
Cottingham  
East Yorkshire  
HU16 4JX

**Tel: 01482 875740**

**Fax: 01482 840082**

**Email: [enquiry@swiftgroup.co.uk](mailto:enquiry@swiftgroup.co.uk)**

FIND OUT MORE AT **[SWIFTGROUP.CO.UK](http://SWIFTGROUP.CO.UK)**



Brochure



Layouts



Dealer



Video



Social