



**Swift Group**  
Dunswell Road  
Cottingham  
East Yorkshire HU16 4JX  
Tel **01482 847332**  
Fax **01482 841042**  
email [enquiry@swiftgroup.co.uk](mailto:enquiry@swiftgroup.co.uk)

For more information visit  
[www.swiftgroup.co.uk](http://www.swiftgroup.co.uk)

Issued July 2014

## Challenger SE - Eccles SE & Conqueror Technical Handbook

---



Challenger SE Specifications ..... 2

Eccles SE Specifications ..... 4

Conqueror Specifications ..... 6

Wiring Diagrams ..... 7

Bulb Chart ..... 14

Bulb Replacement..... 15

# Specification

Challenger	Challenger 480	Challenger 530	Challenger 565	Challenger 570
Berths	2	4	4	4
Axles	1	1	1	1
Internal Length (bed box height)	4.40m/14'5"	5.29m/17'4"	5.60m/18'4"	5.60m/18'4"
Overall Width**	2.25m/7'5"	2.25m/7'5"	2.25m/7'5"	2.25m/7'5"
Overall Height (inc. TV Aerial)**	2.64m/8'8"	2.65m/8'8"	2.65m/8'8"	2.65m/8'8"
Maximum Internal Headroom	1.95m/6'5"	1.95m/6'5"	1.95m/6'5"	1.95m/6'5"
Overall Length**	6.06m/19'11"	6.94m/22'9"	7.25m/23'9"	7.25m/23'9"
Awning A/A dimension	8.77m/28'9"	9.65m/31'8"	9.96m/32'8"	9.96m/32'8"
Mass in Running Order (inc. tolerance)	1162kg/22.9cwt	1322kg/26.0cwt	1351kg/26.6cwt	1324kg/26.1cwt
Maximum Technical Permissible Laden Mass (Lower limit)	1283kg/25.3cwt	1472kg/29.0cwt	1504kg/29.6cwt	1477kg/29.1cwt
Maximum Technical Permissible Laden Mass (Upper limit)	1350kg/26.6cwt	1500kg/29.5cwt	1550kg/30.5cwt	1500kg/29.5cwt
Total user Payload	121kg/2.4cwt	150kg/3.0cwt	153kg/3.0cwt	153kg/3.0cwt
Personal Effects	121kg/2.4cwt	150kg/3.0cwt	153kg/3.0cwt	153kg/3.0cwt
Options	0kg/0cwt	0kg/0cwt	0kg/0cwt	0kg/0cwt
Tyre Size	185 R14C 102Q	185 R14C 102Q	185 R14C 102Q	185 R14C 102Q
Tyre pressure at Lower limit MTPLM	52 psi / 3.6bar	62 psi / 4.3bar	64 psi / 4.4bar	62 psi / 4.3bar
Tyre pressure at Upper limit MTPLM	55 psi / 3.8bar	64 psi / 4.4bar	65 psi / 4.5bar	64 psi / 4.4bar
Static Load on Coupling Head	100kg	100kg	100kg	100kg
Thermal Insulation Grade	THREE	THREE	THREE	THREE
<b>Bed Sizes</b>				
Front Double	202cm x 176cm/6'8" x 5'9"	202cm x 176cm/6'8" x 5'9"	202cm x 156cm/6'8" x 5'1"	202cm x 156cm/6'8" x 5'1"
or Front Nearside Single	186cm x 72cm/6'1" x 2'4"	176cm x 72cm/5'9" x 2'4"	156cm x 72cm/5'1" x 2'4"	156cm x 72cm/5'1" x 2'4"
and Front Offside Single	176cm x 72cm/5'9" x 2'4"	186cm x 72cm/6'1" x 2'4"	156cm x 72cm/5'1" x 2'4"	156cm x 72cm/5'1" x 2'4"
Rear Double				192cm x 130cm/6'4" x 4'3"
Side Single (offside)		180cm x 62cm/5'11" x 2'0"	192cm x 68cm/6'4" x 2'3"	
Side Single (nearside)			183cm x 73cm/6'0" x 2'5"	
Side Bunk (offside)		176cm x 59cm/5'9" x 1'11"		
Side Bunk (nearside)				
Side Fixed Lower Bunk				
Side Fixed Mid Bunk				
Side Fixed Upper Bunk				

**Weights:** The method of calculating the Mass in Running Order (MRO) and user payload figures has changed in order to bring it in line with European Vehicle Directives.

Allowances for essential equipment (e.g. gas cylinders) previously allowed for in the user payload are now contained within the MRO. A provision for a leisure battery which used to be within the essential

equipment payload has now been included within the personal effects payload allowance.

Although the method of calculation has changed, the overall effect is that the amount of payload available to the customer has remained the same, it is just calculated in a different manner.

**Bed Sizes :** Please note that the front double bed sizes quoted are for seating configurations without chest of drawers. The front double bed width for a layout with a chest of drawers fitted will be reduced by 0.4m(1'4") from that stated.

Challenger 580	Challenger 625	Challenger 630	Challenger 640	Challenger 645
4	6	6	4	4
1	2	2	2	2
5.83m/19'2"	6.27m/20'7"	6.27m/20'7"	6.27m/20'7"	6.27m/20'7"
2.25m/7'5"	2.25m/7'5"	2.25m/7'5"	2.25m/7'5"	2.25m/7'5"
2.65m/8'8"	2.62m/8'7"	2.62m/8'7"	2.62m/8'7"	2.62m/8'7"
1.95m/6'5"	1.95m/6'5"	1.95m/6'5"	1.95m/6'5"	1.95m/6'5"
7.48m/24'6"	7.93m/26'0"	7.93m/26'0"	7.93m/26'0"	7.93m/26'0"
10.19m/33'5"	10.64m/34'11"	10.64m/34'11"	10.64m/34'11"	10.64m/34'11"
1362kg/26.8cwt	1554kg/30.6cwt	1525kg/30.0cwt	1490kg/29.3cwt*	1526kg/30.0cwt
1518kg/29.9cwt	1800kg/35.4cwt	1800kg/35.4cwt	1800kg/35.4cwt*	1800kg/35.4cwt
1550kg/30.5cwt	1800kg/35.4cwt	1800kg/35.4cwt	1800kg/35.4cwt	1800kg/35.4cwt
156kg/3.1cwt	246kg/4.8cwt	275kg/5.4cwt	310kg/6.1cwt	274kg/5.4cwt
156kg/3.1cwt	180kg/3.5cwt	180kg/3.5cwt	160kg/3.1cwt	160kg/3.1cwt
0kg/0cwt	0kg/0cwt	0kg/0cwt	0kg/0cwt	0kg/0cwt
185 R14C 102Q	185/70 R14 88T	185/70 R14 88T	185/70 R14 88T	185/70 R14 88T
64 psi / 4.4bar	32 psi / 2.2bar	32 psi / 2.2bar	32 psi / 2.2bar	32 psi/2.2bar
65 psi / 4.5bar	32 psi / 2.2bar	32 psi / 2.2bar	32 psi / 2.2bar	32 psi / 2.2bar
100kg	100kg	100kg	100kg	100kg
THREE	THREE	THREE	THREE	THREE
202cm x 156cm/6'8" x 5'1"	202cm x 176cm/6'8" x 5'9"	203cm x 131cm/6'8" x 4'4"	202cm x 156cm/6'8" x 5'1"	202cm x 156cm/6'8" x 5'1"
156cm x 72cm/5'1" x 2'4"	176cm x 72cm/5'9" x 2'4"		156cm x 72cm/5'1" x 2'4"	156cm x 72cm/5'1" x 2'4"
156cm x 72cm/5'1" x 2'4"	186cm x 72cm/6'1" x 2'4"		186cm x 72cm/6'1" x 2'4"	156cm x 72cm/5'1" x 2'4"
185cm x 133cm/6'1" x 4'4"	192cm x 130cm/6'4" x 4'3"	192cm x 130cm/6'4" x 4'3"	185cm x 133cm/6'1" x 4'4"	185cm x 133cm/6'1" x 4'4"
	180cm x 69cm/5'11" x 2'3"	180cm x 62cm/5'11" x 2'0"		
		176cm x 59cm/5'9" x 1'11"		

**Awning sizes:** Due to varying awning designs and sizes the awning sizes given are approximate only. Specific awning sizes must be confirmed by your dealer or awning manufacturer prior to purchase.

\* Estimated

\*\* The dimensions given are approximate due to slight variations in suspension ride heights, loading conditions and tyre pressures.

Customers should verify the actual dimensions of their touring caravan before committing to anything that could be impacted by these dimensions

**Please note:** Any dealer fit options will reduce the overall payload available to the user of the caravan.

If you require additional payload it is possible to upgrade the MTPLM to the upper limit. Please contact your Swift caravan dealer for more information.

# Specification

Eccles	Topaz	Moonstone	Solitaire	Ruby
Berths	2	4	4	4
Axles	1	1	1	1
Internal Length (bed box height)	4.40m/14'5"	5.29m/17'4"	5.60m/18'4"	5.60m/18'4"
Overall Width**	2.25m/7'5"	2.25m/7'5"	2.25m/7'5"	2.25m/7'5"
Overall Height (inc. TV Aerial)**	2.64m/8'8"	2.65m/8'8"	2.65m/8'8"	2.65m/8'8"
Maximum Internal Headroom	1.95m/6'5"	1.95m/6'5"	1.95m/6'5"	1.95m/6'5"
Overall Length**	6.06m/19'11"	6.94m/22'9"	7.25m/23'9"	7.25m/23'9"
Awning A/A dimension	8.77m/28'9"	9.65m/31'8"	9.96m/32'8"	9.96m/32'8"
Mass in Running Order (inc. tolerance)	1173kg/23.1cwt	1337kg/26.3cwt	1356kg/26.7cwt	1336kg/26.3cwt
Maximum Technical Permissible Laden Mass (Lower limit)	1294kg/25.5cwt	1487kg/29.3cwt	1509kg/29.7cwt	1489kg/29.3cwt
Maximum Technical Permissible Laden Mass (Upper limit)	1350kg/26.6cwt	1500kg/29.5cwt	1550kg/30.5cwt	1500kg/29.5cwt
Total user Payload	121kg/2.4cwt	150kg/3.0cwt	153kg/3.0cwt	153kg/3.0cwt
Personal Effects	121kg/2.4cwt	150kg/3.0cwt	153kg/3.0cwt	153kg/3.0cwt
Options	0kg/0cwt	0kg/0cwt	0kg/0cwt	0kg/0cwt
Tyre Size	185 R14C 102Q	185 R14C 102Q	185 R14C 102Q	185 R14C 102Q
Tyre pressure at Lower limit MTPLM	52 psi / 3.6bar	62 psi / 4.3bar	64 psi / 4.4bar	62 psi / 4.3bar
Tyre pressure at Upper limit MTPLM	55 psi / 3.8bar	64 psi / 4.4bar	65 psi / 4.5bar	64 psi / 4.4bar
Static Load on Coupling Head	100kg	100kg	100kg	100kg
Thermal Insulation Grade	THREE	THREE	THREE	THREE
<b>Bed Sizes</b>				
Front Double	202cm x 176cm/6'8" x 5'9"	202cm x 176cm/6'8" x 5'9"	202cm x 156cm/6'8" x 5'1"	202cm x 156cm/6'8" x 5'1"
or Front Nearside Single	186cm x 72cm/6'1" x 2'4"	176cm x 72cm/5'9" x 2'4"	156cm x 72cm/5'1" x 2'4"	156cm x 72cm/5'1" x 2'4"
and Front Offside Single	176cm x 72cm/5'9" x 2'4"	186cm x 72cm/6'1" x 2'4"	156cm x 72cm/5'1" x 2'4"	156cm x 72cm/5'1" x 2'4"
Rear Double				192cm x 130cm/6'4" x 4'3"
Side Single (offside)		180cm x 62cm/5'11" x 2'0"	192cm x 68cm/6'4" x 2'3"	
Side Single (nearside)			183cm x 73cm/6'0" x 2'5"	
Side Bunk (offside)		176cm x 59cm/5'9" x 1'11"		
Side Bunk (nearside)				
Side Fixed Lower Bunk				
Side Fixed Mid Bunk				
Side Fixed Upper Bunk				

**Weights:** The method of calculating the Mass in Running Order (MRO) and user payload figures has changed in order to bring it in line with European Vehicle Directives.

Allowances for essential equipment (e.g. gas cylinders) previously allowed for in the user payload are now contained within the MRO. A provision for a leisure battery which used to be within the essential

equipment payload has now been included within the personal effects payload allowance.

Although the method of calculation has changed, the overall effect is that the amount of payload available to the customer has remained the same, it is just calculated in a different manner.

**Bed Sizes :** Please note that the front double bed sizes quoted are for seating configurations without chest of drawers. The front double bed width for a layout with a chest of drawers fitted will be reduced by 0.4m(1'4") from that stated.

Quartz	Amethyst	Coral	Sapphire	Wayfarer
4	6	6	4	4
1	2	2	2	2
5.83m/19'2"	6.27m/20'7"	6.27m/20'7"	6.27m/20'7"	6.27m/20'7"
2.25m/7'5"	2.25m/7'5"	2.25m/7'5"	2.25m/7'5"	2.25m/7'5"
2.65m/8'8"	2.62m/8'7"	2.62m/8'7"	2.62m/8'7"	2.62m/8'7"
1.95m/6'5"	1.95m/6'5"	1.95m/6'5"	1.95m/6'5"	1.95m/6'5"
7.48m/24'6"	7.93m/26'0"	7.93m/26'0"	7.93m/26'0"	7.93m/26'0"
10.19m/33'5"	10.64m/34'11"	10.64m/34'11"	10.64m/34'11"	10.64m/34'11"
1366kg/26.9cwt	1559kg/30.7cwt	1535kg/30.2cwt	1495kg/29.4cwt*	1531kg/30.1cwt
1522kg/30.0cwt	1800kg/35.4cwt	1800kg/35.4cwt	1800kg/35.4cwt*	1800kg/35.4cwt
1550kg/30.5cwt	1800kg/35.4cwt	1800kg/35.4cwt	1800kg/35.4cwt	1800kg/35.4cwt
156kg/3.1cwt	241kg/4.7cwt	265kg/5.2cwt	305kg/6.0cwt	269kg/5.3cwt
156kg/3.1cwt	180kg/3.5cwt	180kg/3.5cwt	160kg/3.1cwt	160kg/3.1cwt
0kg/0cwt	0kg/0cwt	0kg/0cwt	0kg/0cwt	0kg/0cwt
185 R14C 102Q	185/70 R14 88T	185/70 R14 88T	185/70 R14 88T	185/70 R14 88T
65 psi / 4.5bar	32 psi / 2.2bar	32 psi / 2.2bar	32 psi / 2.2bar	32 psi/2.2bar
65 psi / 4.5bar	32 psi / 2.2bar	32 psi / 2.2bar	32 psi / 2.2bar	32 psi / 2.2bar
100kg	100kg	100kg	100kg	100kg
THREE	THREE	THREE	THREE	THREE
202cm x 156cm/6'8" x 5'1"	202cm x 176cm/6'8" x 5'9"	203cm x 131cm/6'8" x 4'4"	202cm x 156cm/6'8" x 5'1"	202cm x 156cm/6'8" x 5'1"
156cm x 72cm/5'1" x 2'4"	176cm x 72cm/5'9" x 2'4"		156cm x 72cm/5'1" x 2'4"	156cm x 72cm/5'1" x 2'4"
156cm x 72cm/5'1" x 2'4"	186cm x 72cm/6'1" x 2'4"		186cm x 72cm/6'1" x 2'4"	156cm x 72cm/5'1" x 2'4"
185cm x 133cm/6'1" x 4'4"	192cm x 130cm/6'4" x 4'3"	192cm x 130cm/6'4" x 4'3"	185cm x 133cm/6'1" x 4'4"	185cm x 133cm/6'1" x 4'4"
	180cm x 69cm/5'11" x 2'3"	180cm x 62cm/5'11" x 2'0"		
		176cm x 59cm/5'9" x 1'11"		

**Awning sizes:** Due to varying awning designs and sizes the awning sizes given are approximate only. Specific awning sizes must be confirmed by your dealer or awning manufacturer prior to purchase.

\* The dimensions given are approximate due to slight variations in suspension ride heights, loading conditions and tyre pressures.

Customers should verify the actual dimensions of their touring caravan before committing to anything that could be impacted by these dimensions

**Please note:** Any dealer fit options will reduce the overall payload available to the user of the caravan.

If you require additional payload it is possible to upgrade the MTPLM to the upper limit. Please contact your Swift caravan dealer for more information.

# Specification

Conqueror	Conqueror 480	Conqueror 570	Conqueror 645
Berths	2	4	4
Axles	1	1	2
Internal Length (bed box height)	4.74m/15'7"	5.60m/18'4"	6.27m/20'7"
Overall Width*	2.31m/7'7"	2.31m/7'7"	2.31m/7'7"
Overall Height (inc. TV Aerial)*	2.62m/8'7"	2.67m/8'9"	2.62m/8'7"
Maximum Internal Headroom	1.95m/6'5"	1.95m/6'5"	1.95m/6'5"
Overall Length*	6.46m/21'2"	7.32m/24'0"	7.99m/26'3"
Awning A/A dimension	9.12m/29'11"	9.98m/32'9"	10.65m/34'11"
Mass in Running Order (inc. tolerance)	1317kg/25.9cwt	1480kg/29.1cwt	1622kg/31.9cwt
Maximum Technical Permissible Laden Mass (Lower limit)	1442kg/28.4cwt	1634kg/32.2cwt	1900kg/37.4cwt
Maximum Technical Permissible Laden Mass (Upper limit)	1500kg/29.5cwt	1750kg/34.4cwt	1900kg/37.4cwt
Total user Payload	125kg/2.5cwt	154kg/3.0cwt	278kg/5.5cwt
Personal Effects	125kg/2.5cwt	154kg/3.0cwt	160kg/3.1cwt
Options	0kg/0cwt	0kg/0cwt	0kg/0cwt
Tyre Size	185 R14C 102Q	195/70 R15C 104R	185/70 R14 88T
Tyre pressure at Lower limit MTPLM	61 psi / 4.2bar	65 psi/4.5bar	33 psi/2.3bar
Tyre pressure at Upper limit MTPLM	64 psi / 4.4bar	65 psi/4.5bar	33 psi/2.3bar
Static Load on Coupling Head	100kg	100kg	100kg
Thermal Insulation Grade	THREE	THREE	THREE
<b>Bed Sizes</b>			
Front Double	207cm x 186cm/6'9" x 6'1"	207cm x 156cm/6'9" x 5'1"	207cm x 156cm/6'9" x 5'1"
or Front Nearside Single	186cm x 72cm/6'1" x 2'4"	156cm x 72cm/5'1" x 2'4"	156cm x 72cm/5'1" x 2'4"
and Front Offside Single	186cm x 72cm/6'1" x 2'4"	156cm x 72cm/5'1" x 2'4"	156cm x 72cm/5'1" x 2'4"
Rear Double		192cm x 134cm/6'4" x 4'5"	185cm x 133cm/6'1" x 4'4"
Rear Bunk			
Side Single (offside)			
Side Single (nearside)			
Side Bunk (offside)			

**Weights:** The method of calculating the Mass in Running Order (MRO) and user payload figures has changed in order to bring it in line with European Vehicle Directives.

Allowances for essential equipment (e.g. gas cylinders) previously allowed for in the user payload are now contained within the MRO. A provision for a leisure battery which used to be within the essential

**Awning sizes:** Due to varying awning designs and sizes the awning sizes given are approximate only. Specific awning sizes must be confirmed by your dealer or awning manufacturer prior to purchase.

equipment payload has now been included within the personal effects payload allowance.

The MRO is calculated with the fresh water tank empty. If you travel with water in the fresh water tank, the payload will be reduced accordingly.

Although the method of calculation has changed, the overall effect is that the amount of payload available

\* The dimensions given are approximate due to slight variations in suspension ride heights, loading conditions and tyre pressures.

Customers should verify the actual dimensions of their touring caravan before committing to anything that could be impacted by these dimensions

to the customer has remained the same, it is just calculated in a different manner.

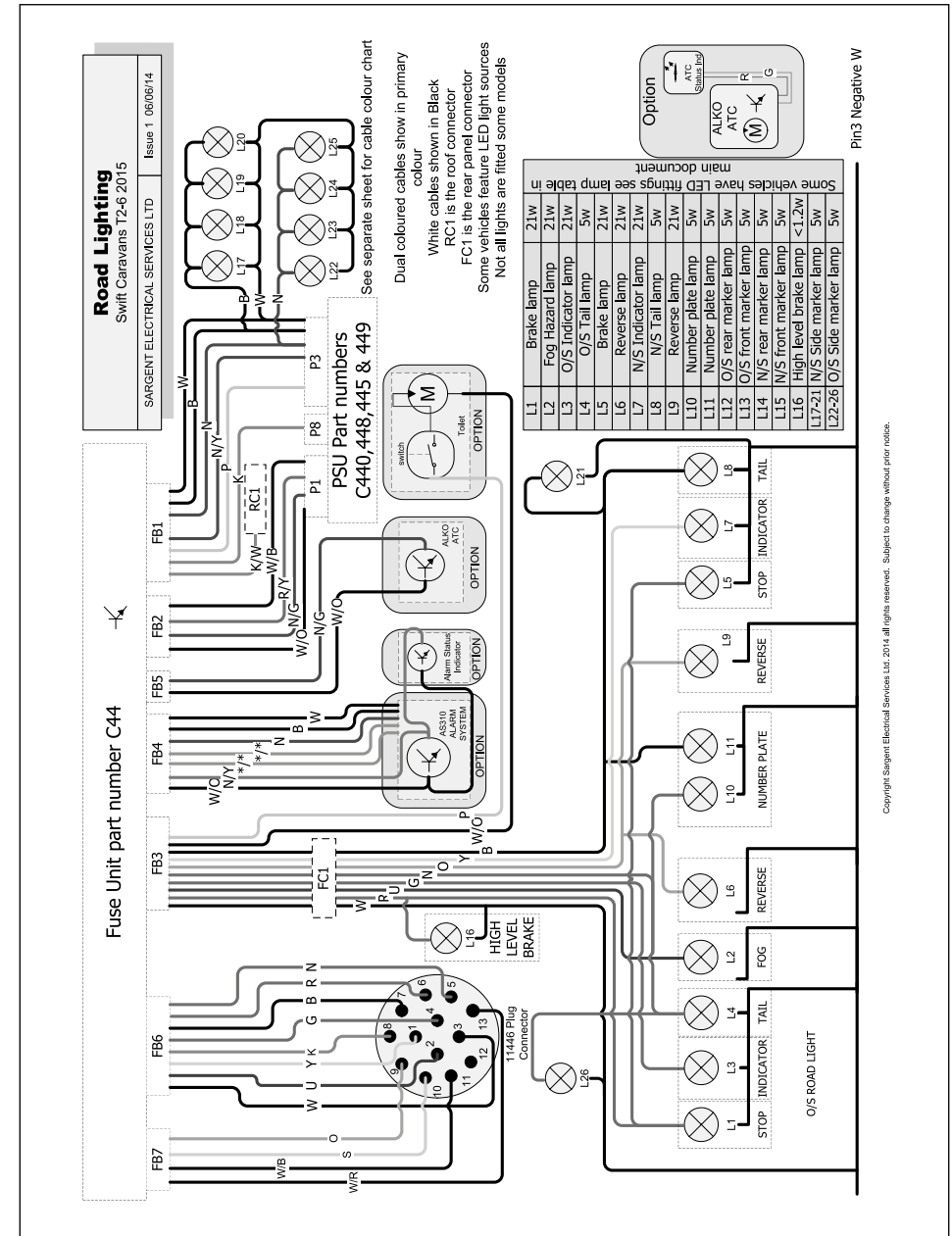
**Bed Sizes :** Please note that the front double bed sizes quoted are for seating configurations without chest of drawers. The front double bed width for a layout with a chest of drawers fitted will be reduced by 0.4m(1'4") from that stated.

**Please note:** Any dealer fit options will reduce the overall payload available to the user of the caravan.

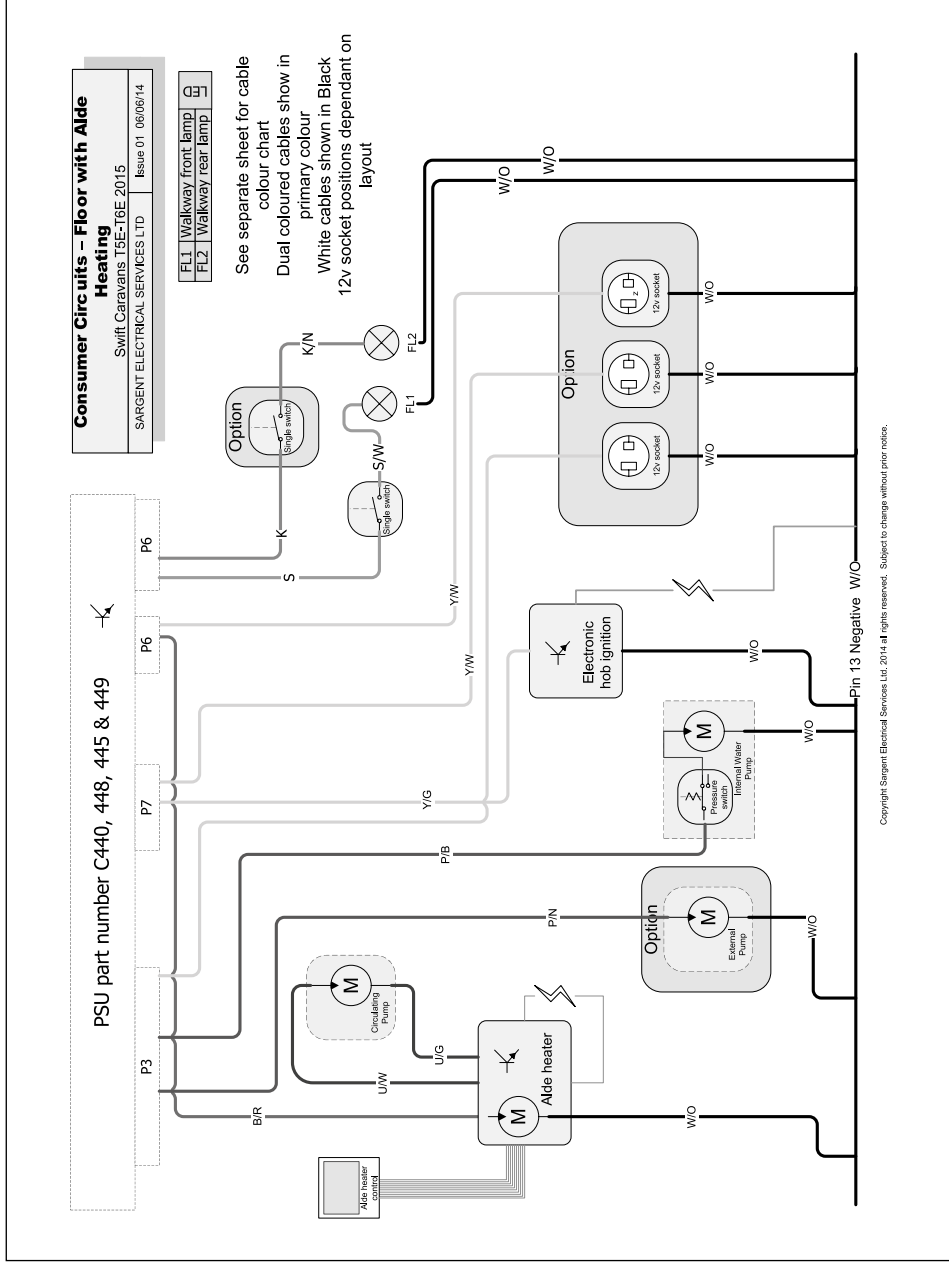
If you require additional payload it is possible to upgrade the MTPLM to the upper limit. Please contact your Swift caravan dealer for more information.

# Wiring Diagrams

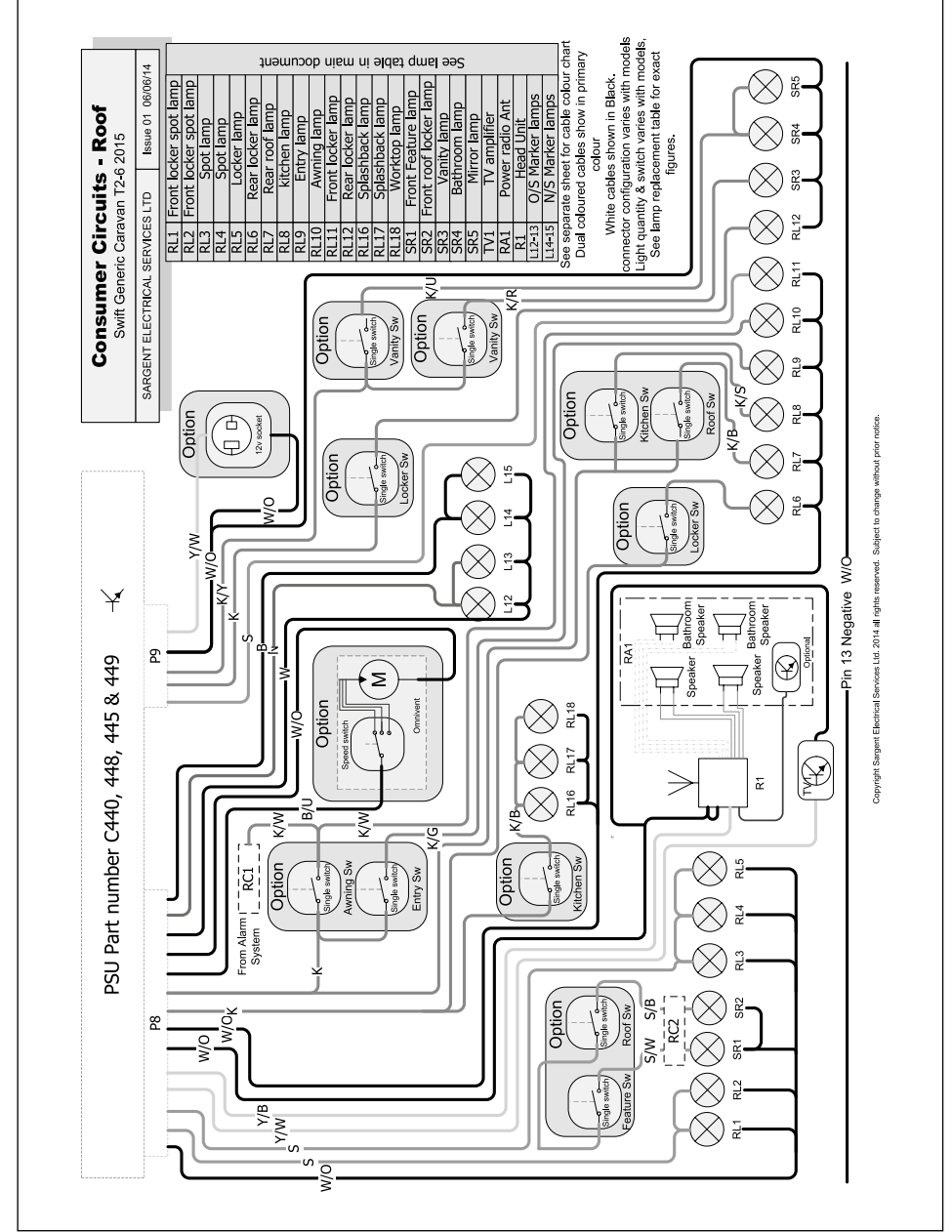
## Challenger - Eccles - Conqueror - Road lighting circuits



## Challenger - Eccles - Conqueror - Floor circuits with Alde



## Challenger - Eccles - Conqueror - Consumer circuits roof





## Challenger - Eccles - Conqueror - 13 Pin Circuits

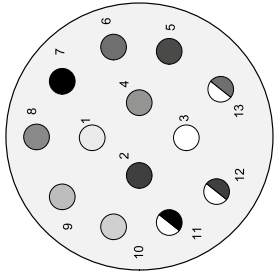
### ISO 11446 Circuits Swift Group Caravans (where applicable)

SARGENT ELECTRICAL SERVICES LTD Issue 01 06/07/10

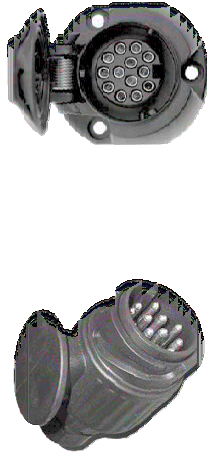
It is possible to get adaptors that convert two sockets on the towbar to a single 13 pin ISO socket, and vice versa.

Connection lead from 12N 7 pin socket plus 12S 7 pin socket to 13pin Euro Socket. (Converts a vehicle with two 7 pin sockets to a caravan with a 13 pin plug)

Please be aware that some car and adaptor manufacturers don't provide the fridge power connections



11446 Plug Connector viewed from cable entry on plug



Pin No	Core Colour	Core Size	Function
1	Yellow	1.5	Left Hand Indicator Light
2	Blue	1.5	Rear Fog Warning Light(s)
3	White	2.5	Earth for pins 1 - 8
4	Green	1.5	Right Hand Indicator Light
5	Brown	1.5	Right Hand Tail Light
6	Red	1.5	Brake Lights
7	Black	1.5	Left Hand Tail Light
8	Pink	1.5	Reverse Light(s)
9	Orange	2.5	Car +ve
10	Slate (Grey)	2.5	Fridge +ve
11	White/Black	2.5	Earth for pin 10
12	White/Blue	1.5	Not Yet Allocated
13	White/Red	2.5	Earth for pin 9

Copyright Sargent Electrical Services Ltd. 2014, all rights reserved. Subject to change without prior notice.

## Challenger - Eccles - Conqueror - Cable colour chart



Y/U

Yellow cable with Blue stripe

Example

### Cable Colour Chart Swift range

SARGENT ELECTRICAL SERVICES LTD

Issue 06/07/10

### 12V Cable Colours

B	BLACK
N	BROWN
R	RED
O	ORANGE
Y	YELLOW
G	GREEN
U	BLUE
S	SLATE GREY
W	WHITE
K	PINK

### 230V Cable Colours

B	BLACK
N	BROWN
W	WHITE
O	ORANGE
Y	YELLOW
G	GREEN
U	BLUE

Copyright Sargent Electrical Services Ltd. 2014, all rights reserved. Subject to change without prior notice.



## Challenger - Eccles Bulb Chart

Exterior Lights	Bulb type	Bulb rating
Front marker lights	W5W	12v 5w
Side marker - Low Level	W5W	12v 5w
Side marker - High Level	R5W	12v 5w
Reversing light	P21	12v 21w
Rear indicator light	P21	12v 21w
Brake / tail light	P21/5W	12v 21w / 5w
Fog light	P21	12v 21w
Number plate light	C5W	12v 5w
High level brake light	T5/13.5	12v 2.3w
Interior / Other Lights	Bulb type	Bulb rating
Awning lamp, LED with alarm indicator	LED complete unit FEM1225-W	12v LED
Over locker LED strip light	FEM-1183NW flexible LED light strip	12v LED
Forward ceiling LED strip light	LED strip FEM0937A	12v LED
Kitchen light	Cold Cathode complete unit	12v 4.8w
Locker spotlights with dimmer	LED Complete unit FEM1168	12v LED
Downlights, small format	LED Complete unit FEM1189	12v LED
Downlight, shower cubicle, 3-stud	LED Complete unit FEM0856	12v LED
Illuminated panel or mirror backlight	FEM-1214 flexible LED light strip (cut to length)	12v LED
Bunk light	LED Complete unit SCS-KIM2	12v LED
Below worktop feature light	LED Complete unit 500mm	12v LED
Wardrobe light	G4 Halogen capsule bulb	12v 5w
Low level walkway light	LED Complete unit FEM0993	12v 5w

Note: Not all bulbs and lights feature on all models within a range

## Conqueror Bulb replacement

Exterior Lights	Bulb type	Bulb rating
Front marker lights	LED Complete unit	12v LED
Side marker - Low Level	W5W	12v 5w
Side marker - High Level	R5W	12v 5w
Rear light cluster (Multi function)	Britax L79.00.12v (LH) & L79.01.12v (RH)	12v LED
Number plate light	C5W	12v 5w
High level brake light	LED Complete unit 2DA-343-800-057	12v LED
Interior / Other Lights	Bulb type	Bulb rating
Awning lamp, LED with alarm indicator	LED complete unit FEM1225-W	12v LED
Over locker LED strip light	FEM-1183NW flexible LED light strip	12v LED
Forward ceiling LED strip light	LED strip FEM0937A	12v LED
Kitchen light	Cold Cathode complete unit	12v 4.8w
Locker spotlights with dimmer	LED Complete unit FEM1168	12v LED
Downlights, small format	LED Complete unit FEM1189	12v LED
Downlight, shower cubicle, 3-stud	LED Complete unit FEM0856	12v LED
Illuminated panel or mirror backlight	FEM-1214 flexible LED light strip (cut to length)	12v LED
Below worktop feature light	LED Complete unit 500mm	12v LED
Wardrobe light	G4 Halogen capsule bulb	12v 5w
Low level walkway light	LED Complete unit FEM0993	12v 5w

Note: Not all bulbs and lights feature on all models within a range

## Challenger - Eccles Bulb replacement

### T5D CHALLENGER / ECCLES ROAD LIGHT BULB ACCESS

#### REAR LIGHT CLUSTERS (CONTAINING INDICATOR, TAIL / STOP, REVERSE AND FOG LAMPS)

All of the bulbs within the clusters are accessed from the rear of the cluster.

To remove the cluster, release the four screws that can be seen around the perimeter of the lense of the lamp. The whole lamp can then be withdrawn from the rear of the caravan.

The relevant bulb holder can now, from the rear of the lamp, be twisted relative to the body of the lamp to release it.

The bulbs are then a bayonet fitting into the bulb holder - push the bulb lightly toward the holder, and twist, to release.

Please take additional care replacing stop/tail light in correct orientation. When fitted correctly brake light illumination will be brighter than tail lamp illumination.

Re-fit the bulb holder into the lamp body.

#### FRONT LOW LEVEL MARKER / POSITION LAMPS (CLEAR LENSE)

These lamps are LED and have no user serviceable parts inside.

Replacements should be undertaken by your dealer, as the lamps are sealed onto the mounting panel.

#### HIGH LEVEL BRAKE LAMP

This lamp is single piece and has no user serviceable parts inside.

Replacements should be undertaken by your dealer, as the lamps are sealed onto the mounting panel.

### NUMBER PLATE LAMPS

Bulb access is from via the front lense of each lamp.

Remove the two screws in the lense of the lamp, and remove.

Lever the bulb out of retaining clips.

Reverse the procedure to re-fit a new bulb and the light lense.

### SIDE MARKER / POSITION LAMPS

Bulb access is from rear of lamp.

If rear of lamp is visible from inside the caravan:

- Depending on the location, a small brown plastic cover may be present covering the connections to the lamp. Remove the screws in the cover to release and access the rear of the lamp.
- The harness plugs directly into the bulb holder - twist the bulb holder relative to the lamp body to release, and withdraw the bulb holder and bulb.
- Bulbs are push fit into bulb holder - pull bulb directly away from holder to release
- Reverse the procedure to replace the bulb in the holder, holder in the lamp and the lamp onto the caravan body. Replace plastic cover.

If rear of lamp is not visible from inside the caravan:

- Remove the 2 screws from the front of the light fitting, and withdraw the whole fitting from the caravan body
- The harness plugs directly into the bulb holder - twist the bulb holder relative to the lamp body to release, and withdraw the bulb holder and bulb.
- Bulbs are push fit into bulb holder - pull bulb directly away from holder to release
- Reverse the procedure to replace the bulb in the holder, holder in the lamp and the lamp onto the caravan body.

## Conqueror Bulb replacement

### T6D CONQUEROR ROAD LIGHT BULB ACCESS

#### REAR LIGHT CLUSTERS (CONTAINING INDICATOR, TAIL / STOP, REVERSE AND FOG LAMPS):

• These multi-function lights are LED and have no user serviceable parts inside.

• Replacement clusters can be fitted in the following way:

- Remove three screws around the perimeter of the cluster
- Pull the cluster away from the rear panel of the tourer, taking care to not put excessive strain on the electrical connections behind the lamp
- Unplug the electrical connection from the rear of the lamp, by releasing the tab and lifting the connector upwards relative to the cluster
- Plug the connector back into the replacement lamp, position the lamp into the recess and replace the three fixing screws.

#### FRONT LOW LEVEL MARKER / POSITION LAMPS (CLEAR LENSE)

• These lamps are LED and have no user serviceable parts inside.

• Replacements should be undertaken by your dealer, as the lamps are sealed onto the mounting panel

#### HIGH LEVEL BRAKE LAMP

• This lamp is single piece and has no user serviceable parts inside.

• Replacements should be undertaken by your dealer, as the lamps are sealed onto the mounting panel.

### NUMBER PLATE LAMPS

• Bulb access is from via the front lense of each lamp

• Remove the two screws in the lense of the lamp, and remove

• Lever the bulb out of retaining clips

• Reverse the procedure to re-fit a new bulb and the light lense

### SIDE MARKER / POSITION LAMPS

• Bulb access is from rear of lamp

• If rear of lamp is visible from inside the caravan:

- Depending on the location, a small brown plastic cover may be present covering the connections to the lamp. Remove the screws in the cover to release and access the rear of the lamp.
- The harness plugs directly into the bulb holder - twist the bulb holder relative to the lamp body to release, and withdraw the bulb holder and bulb.
- Bulbs are push fit into bulb holder - pull bulb directly away from holder to release
- Reverse the procedure to replace the bulb in the holder, holder in the lamp and the lamp onto the caravan body. Replace plastic cover.

If rear of lamp is not visible from inside the caravan:

- Remove the 2 screws from the front of the light fitting, and withdraw the whole fitting from the caravan body
- The harness plugs directly into the bulb holder - twist the bulb holder relative to the lamp body to release, and withdraw the bulb holder and bulb.
- Bulbs are push fit into bulb holder - pull bulb directly away from holder to release
- Reverse the procedure to replace the bulb in the holder, holder in the lamp and the lamp onto the caravan body.