



Swift Group

Dunswell Road
Cottingham
East Yorkshire HU16 4JX

Tel **01482 875740**

Fax **01482 840082**

email enquiry@swiftgroup.co.uk

For more information visit
www.swiftgroup.co.uk

Issued July 2012





Sundance / E400 Tech Handbook





Specifications 2

Capacities 8

Towing Capabilities 10

Jacking 12

Wiring Diagrams 13

Bulb Chart 19

Bulb Replacement..... 20

Specifications

Model	Sundance 532LP / E412 Standard (Air Con / Cruise Control)	Sundance 532LP / E412 Optional (Air Con / Cruise Control / Auto)
Roof Profile	Low Line	Low Line
Engine	130 MJT	130 MJT
Engine Capacity	2287cc	2287cc
Max Power	96kW @ 3600rpm	96kW @ 3600rpm
Torque	320 @ 1800rpm	320 @ 1800rpm
Chassis	SWB Fiat Chassis	SWB Fiat Chassis
Wheel base	3.00m/9'10"	3.00m/9'10"
Designated Passenger Seats	1	
Berths (sleeping positions)	2	
Overall Length (no ladder)*	6.00m/19'8"	
Overall Width (mirrors folded)	2.24m/7'4"	
Overall Height*	2.90m/9'6"	
Maximum Technical Permissible Laden Mass (A)	3300kg	
Mass in Running Order (B)	2925kg	2942kg
Maximum User Payload (A-B)	375kg	358kg
Unladen Weight	2699kg	2686kg
Essential Habitation Equipment	9kg	
Thermal Insulation Grade	THREE	
Bed Sizes		
Front Double	2.04m x 1.30m/6'8" x 4'3"	
Front Nearside Single	1.87m x 0.70m/6'2" x 2'4"	
Front Offside Single	1.87m x 0.70m/6'2" x 2'4"	
Rear Double		
Rear Nearside Single		
Rear Offside Single		
Overcab Bed		

NOTE: 1. **The Maximum User Payload** includes:

- the **conventional load** (this is the allowance for passengers)
- essential habitation equipment** (items and fluids required for safe and proper functioning of habitation equipment)
- optional equipment** (items available from the manufacturer over and above the standard specification)
- personal effects** (those items not covered by the above)

2. The **Mass in Running Order** is the mass of the unladen vehicle including a 75kg allowance for the driver plus engine coolants and 90% of the fuel tank, water tank and gas capacity.

3. PLEASE TAKE CARE TO ENSURE THAT YOU HAVE ALLOWED FOR THE MASSES OF ALL ITEMS YOU INTEND TO CARRY IN THE MOTOR CARAVAN, e.g. passengers, optional equipment, essential habitation equipment and personal effects, such as clothing, food, pets, bicycles, sailboards, sports equipment etc.

4. **WARNING** - UNDER NO CIRCUMSTANCES SHOULD THE MAXIMUM TECHNICAL PERMISSIBLE LADEN MASS OF THIS MOTOR CARAVAN BE EXCEEDED.

* For optional roof ladder add 60mm to length and 120mm to Low Line height.

** Estimated weights

Sundance 582PR / E462 Standard (Air Con / Cruise Control)	Sundance 582PR / E462 Optional (Air Con / Cruise Control / Auto)	Sundance 584PR / E464 Standard (Air Con / Cruise Control)	Sundance 584PR / E464 Optional (Air Con / Cruise Control / Auto)
Low Line	Low Line	High Line	High Line
130 MJT	130 MJT	130 MJT	130 MJT
2287cc	2287cc	2287cc	2287cc
96kW @ 3600rpm	96kW @ 3600rpm	96kW @ 3600rpm	96kW @ 3600rpm
320 @ 1800rpm	320 @ 1800rpm	320 @ 1800rpm	320 @ 1800rpm
MWB Fiat Chassis	MWB Fiat Chassis	MWB Fiat Chassis	MWB Fiat Chassis
3.45m/11'4"	3.45m/11'4"	3.45m/11'4"	3.45m/11'4"
1		3	
2		4	
6.58m/21'7"		6.58m/21'7"	
2.24m/7'4"		2.24m/7'4"	
2.90m/9'6"		3.07m/10'1"	
3500kg		3500kg	
3020kg**	3037kg**	3143kg**	3160kg**
480kg**	463kg**	357kg**	340kg**
2760kg**	2777kg**	2883kg**	2900kg**
9kg		9kg	
THREE		THREE	
2.04m x 1.89m/6'8" x 6'2"		2.04m x 1.89m/6'8" x 6'2"	
1.89m x 0.66m/6'2" x 2'2"		1.89m x 0.63m/6'2" x 2'1"	
1.89m x 0.66m/6'2" x 2'2"		1.89m x 0.63m/6'2" x 2'1"	
		1.91m x 1.37m/6'3" x 4'6"	

Specifications

Model	Sundance 594RS / E434 Standard (Air Con / Cruise Control)	Sundance 594RS / E434 Optional (Air Con / Cruise Control / Auto)
Roof Profile	High Line	High Line
Engine	130 MJT	130 MJT
Engine Capacity	2287cc	2287cc
Max Power	96kW @ 3600rpm	96kW @ 3600rpm
Torque	320 @ 1800 rpm	320 @ 1800rpm
Chassis	MWB Fiat Chassis	MWB Fiat Chassis
Wheel base	3.45m/11'4"	
Designated Passenger Seats	3	
Berths (sleeping positions)	5	
Overall Length (no ladder)*	6.58m/21'7"	
Overall Width (mirrors folded)	2.24m/7'4"	
Overall Height*	3.07m/10'1"	
Maximum Technical Permissible Laden Mass (A)	3500kg	
Mass in Running Order (B)	3128kg	3145kg
Maximum User Payload (A-B)	372kg	355kg
Unladen Weight	2872kg	2889kg
Essential Habitation Equipment	9kg	
Thermal Insulation Grade	THREE	
Bed Sizes		
Front Double	1.88m x 1.24m/6'2" x 4'1"	
Front Nearside Single	1.88m x 0.66m/6'2" x 2'2"	
Front Offside Single	1.88m x 0.92m/6'2" x 3'0"	
Rear Double		
Rear Nearside Single		
Rear Offside Single		
Overcab Bed	1.91m x 1.37m/6'3" x 4'6"	

NOTE: 1. **The Maximum User Payload** includes:

- the **conventional load** (this is the allowance for passengers)
- essential habitation equipment** (items and fluids required for safe and proper functioning of habitation equipment)
- optional equipment** (items available from the manufacturer over and above the standard specification)
- personal effects** (those items not covered by the above)

2. The **Mass in Running Order** is the mass of the unladen vehicle including a 75kg allowance for the driver plus engine coolants and 90% of the fuel tank, water tank and gas capacity.

3. PLEASE TAKE CARE TO ENSURE THAT YOU HAVE ALLOWED FOR THE MASSES OF ALL ITEMS YOU INTEND TO CARRY IN THE MOTOR CARAVAN, e.g. passengers, optional equipment, essential habitation equipment and personal effects, such as clothing, food, pets, bicycles, sailboards, sports equipment etc.

4. **WARNING** - UNDER NO CIRCUMSTANCES SHOULD THE MAXIMUM TECHNICAL PERMISSIBLE LADEN MASS OF THIS MOTOR CARAVAN BE EXCEEDED.

* For optional roof ladder add 60mm to length and 120mm to Low Line height.

Sundance 622FB / E452 Standard (Air Con / Cruise Control)		Sundance 622FB / E452 Optional (Air Con / Cruise Control / Auto)		Sundance 624FB / E454 Standard (Air Con / Cruise Control)		Sundance 624FB / E454 Optional (Air Con / Cruise Control / Auto)	
Low Line		Low Line		Low Line		Low Line	
130 MJT		130 MJT		130 MJT		130 MJT	
2287cc		2287cc		2287cc		2287cc	
96kW @ 3600rpm		96kW @ 3600rpm		96kW @ 3600rpm		96kW @ 3600rpm	
320 @ 1800rpm		320 @ 1800rpm		320 @ 1800rpm		320 @ 1800rpm	
LWB Fiat Chassis		LWB Fiat Chassis		LWB Fiat Chassis		LWB Fiat Chassis	
4.04m/13'3"				4.04m/13'3"			
1				3			
4				4			
7.12m/23'4"				7.12m/23'4"			
2.24m/7'4"				2.24m/7'4"			
2.90m/9'6"				2.90m/9'6"			
3500kg	3650kg	3500kg	3650kg	3650kg			
3150kg	3150kg	3167kg	3167kg	3175kg	3192kg		
350kg	500kg	333kg	483kg	475kg	458kg		
2894kg	2894kg	2911kg	2911kg	2919kg	2936kg		
9kg				9kg			
THREE				THREE			
2.04m x 1.21m/1.04m/6'8" x 4'0"/3'5"				2.04m x 1.21m/1.04m/6'8" x 4'0"/3'5"			
1.88m x 1.25m/6'2" x 4'1"				1.88m x 1.25m/6'2" x 4'1"			

Specifications

Model	Sundance 644SD / E444 Standard (Air Con / Cruise Control)	Sundance 644SD / E444 Optional (Air Con / Cruise Control / Auto)
Roof Profile	Low Line	Low Line
Engine	130 MJT	130 MJT
Engine Capacity	2287cc	2287cc
Engine Power	96kW @ 3600rpm	96kW @ 3600rpm
Torque	320 @ 1800rpm	320 @ 1800rpm
Chassis	LWB Fiat Chassis	LWB Fiat Chassis
Wheel base	4.48m/14'8"	
Designated Passenger Seats	3	
Berths (sleeping positions)	4	
Overall Length (no ladder)*	7.80m/25'7"	
Overall Width (mirrors folded)	2.24m/7'4"	
Overall Height*	2.90m/9'6"	
Maximum Technical Permissible Laden Mass (A)	4250kg	4250kg
Mass in Running Order (B)	3190kg	3207kg
Maximum User Payload (A-B)	1060kg	1043kg
Unladen Weight	2934kg	2951kg
Essential Habitation Equipment	9kg	
Thermal Insulation Grade	THREE	
Bed Sizes		
Front Double	2.04m x 1.21m/1.04m/6'8" x 4'0"/3'5"	
Front Nearside Single		
Front Offside Single		
Rear Double	1.90m x 1.26m/6'3" x 4'2"	
Rear Nearside Single		
Rear Offside Single		
Overcab Bed		

NOTE: 1. **The Maximum User Payload** includes:

- the **conventional load** (this is the allowance for passengers)
- essential habitation equipment** (items and fluids required for safe and proper functioning of habitation equipment)
- optional equipment** (items available from the manufacturer over and above the standard specification)
- personal effects** (those items not covered by the above)

2. The **Mass in Running Order** is the mass of the unladen vehicle including a 75kg allowance for the driver plus engine coolants and 90% of the fuel tank, water tank and gas capacity.

3. PLEASE TAKE CARE TO ENSURE THAT YOU HAVE ALLOWED FOR THE MASSES OF ALL ITEMS YOU INTEND TO CARRY IN THE MOTOR CARAVAN, e.g. passengers, optional equipment, essential habitation equipment and personal effects, such as clothing, food, pets, bicycles, sailboards, sports equipment etc.

4. **WARNING** - UNDER NO CIRCUMSTANCES SHOULD THE MAXIMUM TECHNICAL PERMISSIBLE LADEN MASS OF THIS MOTOR CARAVAN BE EXCEEDED.

* For optional roof ladder add 60mm to length and 120mm to Low Line height.

** Estimated weights

Sundance 636L / E496 Standard (Air Con / Cruise Control)	Sundance 636L / E496 Optional (Air Con / Cruise Control / Auto)
High Line	High Line
130 MJT	130 MJT
2287cc	2287cc
96kW @ 3600rpm	96kW @ 3600rpm
320 @ 1800rpm	320 @ 1800rpm
LWB Fiat Chassis	LWB Fiat Chassis
4.48m/14'8"	
5	
6	
7.80m/25'7"	
2.24m/7'4"	
3.05m/10'0"	
4250kg	4250kg
3445kg**	3462kg**
805kg**	788kg**
3189kg**	3206kg**
9kg	
THREE	
1.90m x 1.24m/6'3" x 4'1"	
1.90m x 0.92m/6'3" x 3'0"	
2.04m x 1.39m/6'8" x 4'7"	
1.89m x 0.63m/6'2" x 2'1"	
1.89m x 0.63m/6'2" x 2'1"	
1.91m x 1.37m/6'3" x 4'6"	

Capacities

Water Tank Capacities

	Fresh Water Tank	Waste Water Tank	Water Heater
Sundance / E400	90 litre	68 litre	10 litre
584PR / E464	94 litre	60 litre	10 litre

Gas Capacities

	Capacity
Sundance / E400	2 x 7kg

The above are recommended gas bottle sizes

NOTICE : For technical data on the base vehicle please refer to manufacturer's handbook



Towing Capabilities

Sundance / E400 Series Towing Capabilities

Model	Engine / Chassis	MTPLM	Permissible Front Axle Load
Sundance 532LP / E412	130MJT (2.3L) / SWB / AC/ CC	3300kg	1750kg
Sundance 532LP / E412	130MJT (2.3L) /SWB / AC / CC / AUTO	3300kg	1750kg
Sundance 582PR / E462	130MJT (2.3L) / MWB / AC/ CC	3500kg	1850kg
Sundance 582PR / E462	130MJT (2.3L) / MWB / AC / CC / AUTO	3500kg	1850kg
Sundance 584PR / E464**	130MJT (2.3L) / MWB / AC/ CC	3500kg	1850kg
Sundance 584PR / E464**	130MJT (2.3L) / MWB / AC / CC / AUTO	3500kg	1850kg
Sundance 594RS / E434**	130MJT (2.3L) / MWB / AC/ CC	3500kg	1850kg
Sundance 594RS / E434**	130MJT (2.3L) / MWB / AC / CC / AUTO	3500kg	1850kg
Sundance 622FB / E452	130MJT (2.3L) / LWB / AC/ CC	3500kg	1850kg
Sundance 622FB / E452	130MJT (2.3L) / LWB / AC / CC / AUTO	3500kg	1850kg
Sundance 622FB / E452	130MJT (2.3L) / LWB / AC/ CC	3650kg	1850kg
Sundance 622FB / E452	130MJT (2.3L) / LWB / AC / CC / AUTO	3650kg	1850kg
Sundance 624FB / E454	130MJT (2.3L) / LWB / AC / CC	3650kg	1850kg
Sundance 624FB / E454	130MJT (2.3L) / LWB / AC / CC / AUTO	3650kg	1850kg
Sundance 644SD / E444	130MJT (2.3L) / LWB / AC / CC	4250kg	2100kg
Sundance 644SD / E444	130MJT (2.3L) / LWB / AC / CC / AUTO	4250kg	2100kg
Sundance 636L / E496	130MJT (2.3L) / LWB / AC / CC	4250kg	2100kg
Sundance 636L / E496	130MJT (2.3L) / LWB / AC / CC / AUTO	4250kg	2100kg

CAUTION: When fitting a towbar, it must meet certain minimum requirements as specified by Type Approval Regulations. The bar will have marked on it the approval standard (94/20/EC) and the maximum download, or noseweight, that it can accept. It must fit the manufacturer's approved mounting points and must not obscure the towing vehicle's number plate.

Permissible Rear Axle Load	Recommended Maximum Trailer Weight	Gross Train Weight
1900kg	1600kg	4900kg
1900kg	1600kg	4900kg
2000kg	1600kg	5100kg
2000kg	1600kg	5100kg
2000kg	1600kg	5100kg
2000kg	1600kg	5100kg
2000kg	1600kg	5100kg
2000kg	1600kg	5100kg
2000kg	1600kg	5100kg
2000kg	1600kg	5100kg
2000kg	1600kg	5250kg
2000kg	1600kg	5250kg
2000kg	1600kg	5250kg
2000kg	1600kg	5250kg
2400kg	2000kg	6000kg
2400kg	2000kg	6000kg
2400kg	2000kg	6000kg
2400kg	2000kg	6000kg

Please note that the additional weight of the tow bar and trailer nose weight increases the rear axle loading of the motor home so care should be taken that the rear axle load is not exceeded when towing.

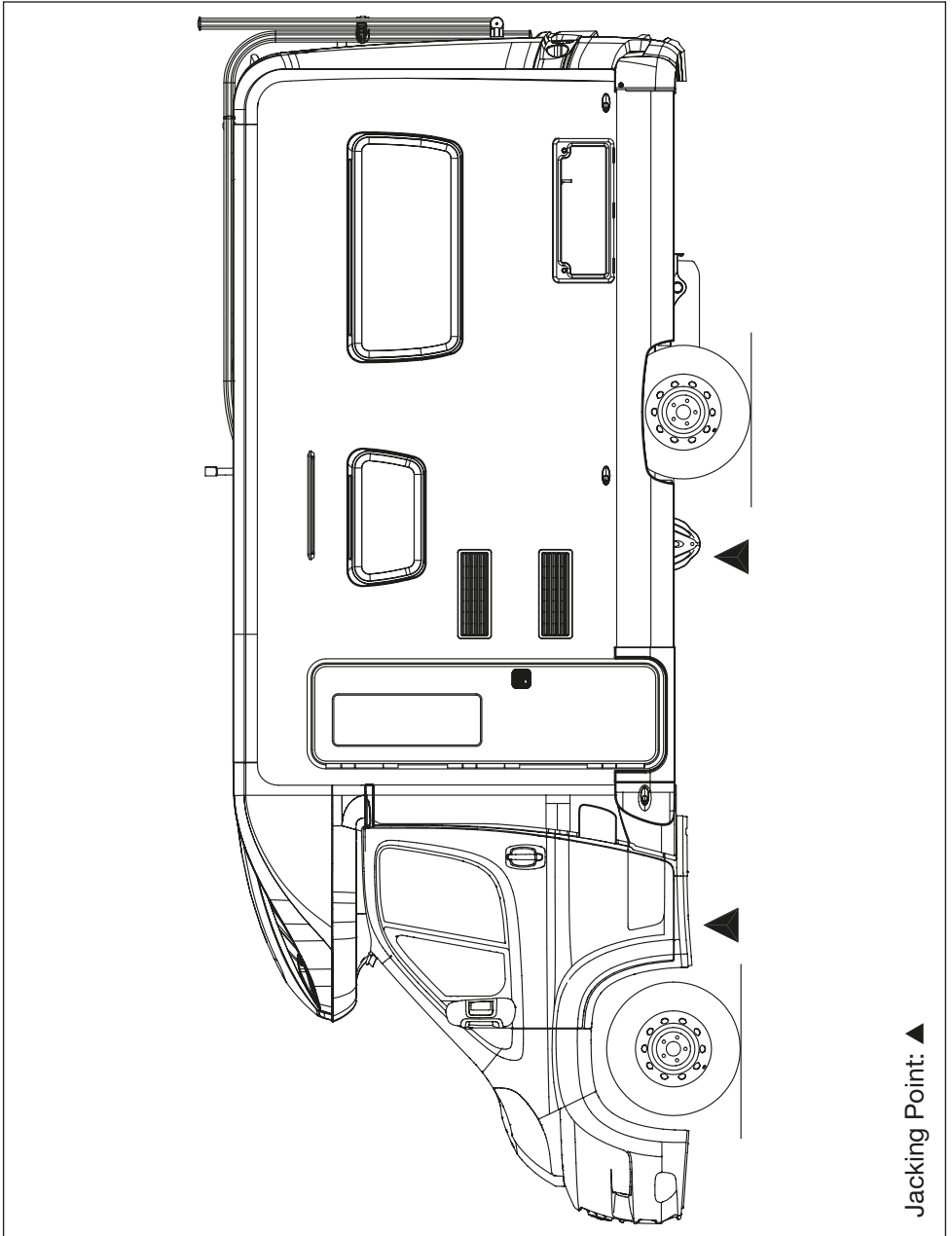
** With this vehicle configuration it will be necessary to reduce the payload carried inside the van when towing to ensure that the MTPLM and maximum axle loads are not exceeded.

To ensure adequate road holding, the load on the front axle, under all conditions, must not be less than 40% or more than 70% of the total weight.

Care must be taken when distributing loads. The loadings and weights above are maximums and must not be exceeded under any circumstances.

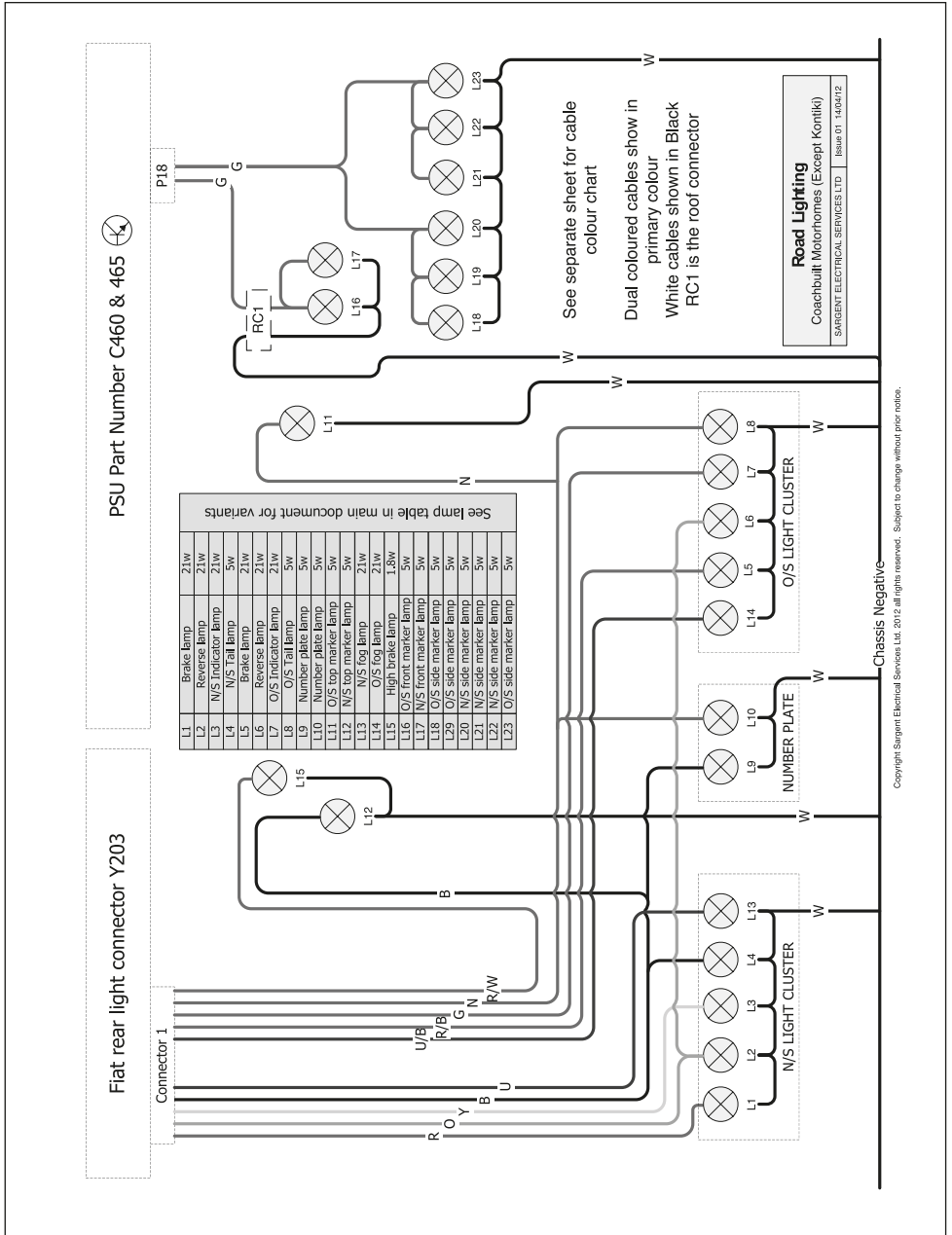
Jacking

Swift Sundance / E400 Series



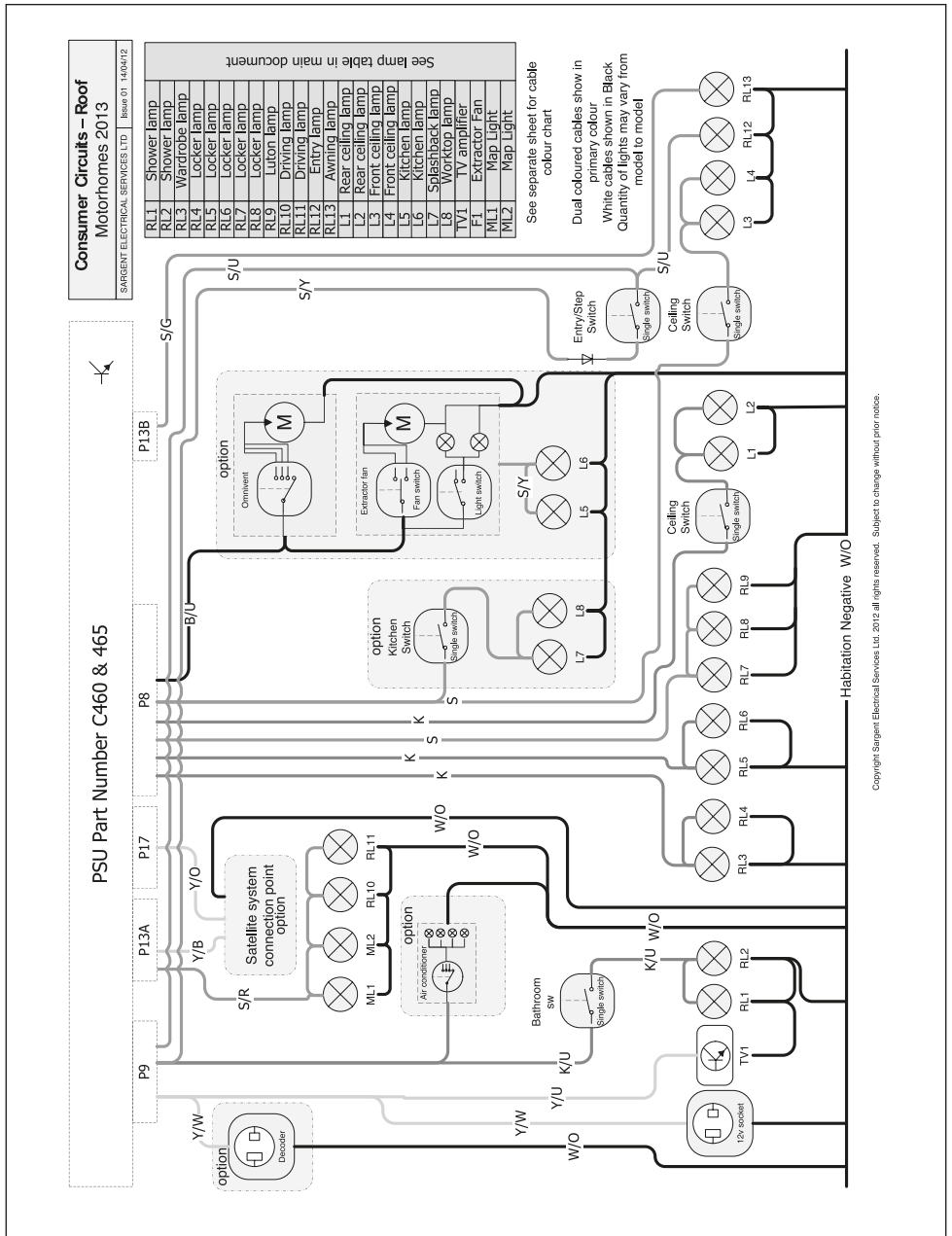
Jacking Point: ▲

Sundance / E400 - Road lighting circuits

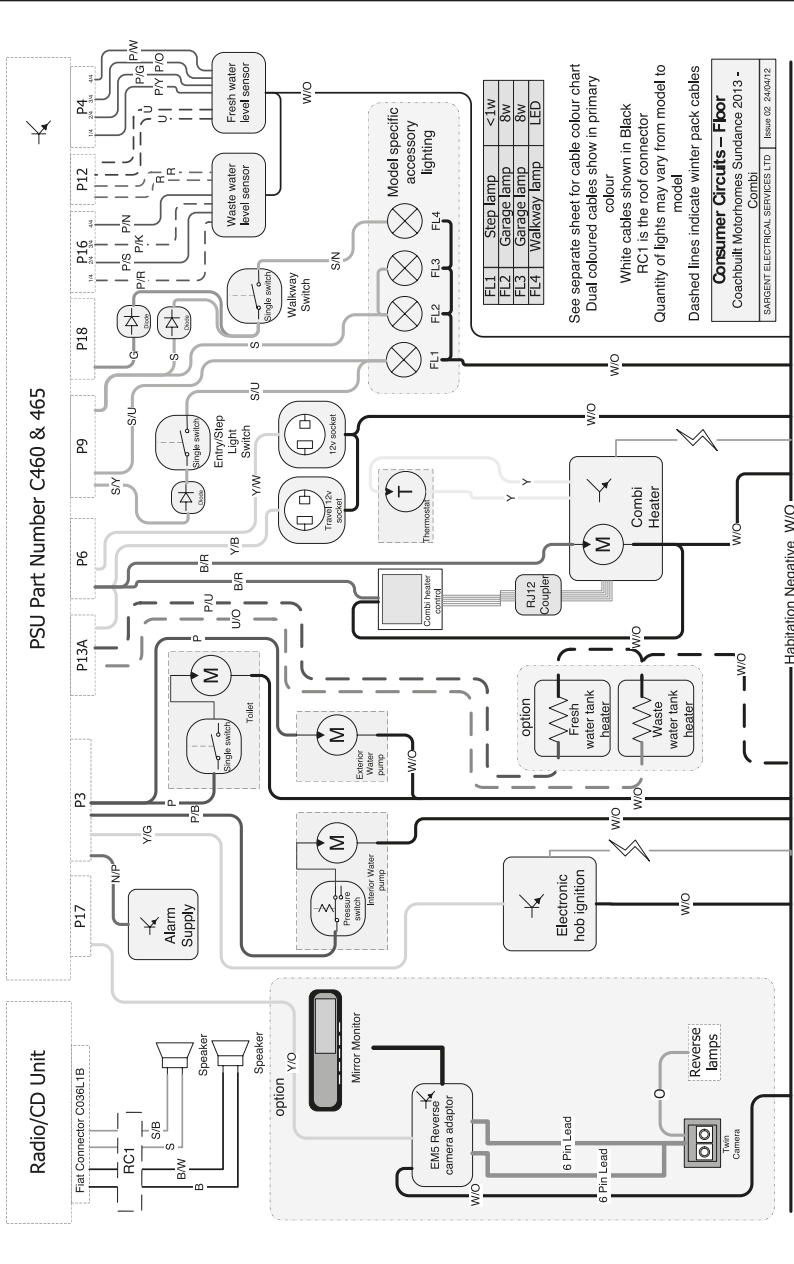


Wiring Diagrams

Sundance / E400 - Roof lighting circuits



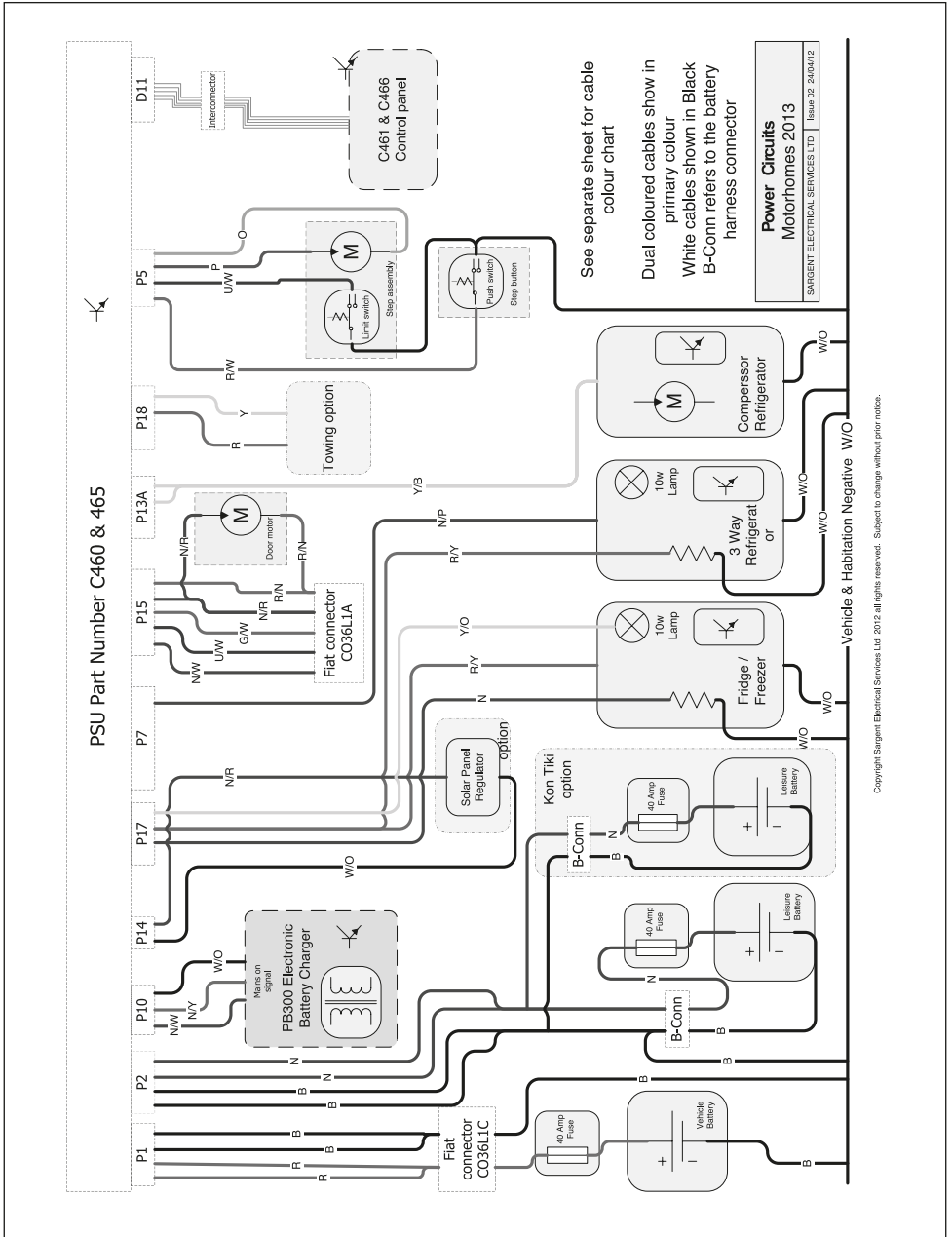
Sundance / E400 - Consumer Circuits - Floor circuits



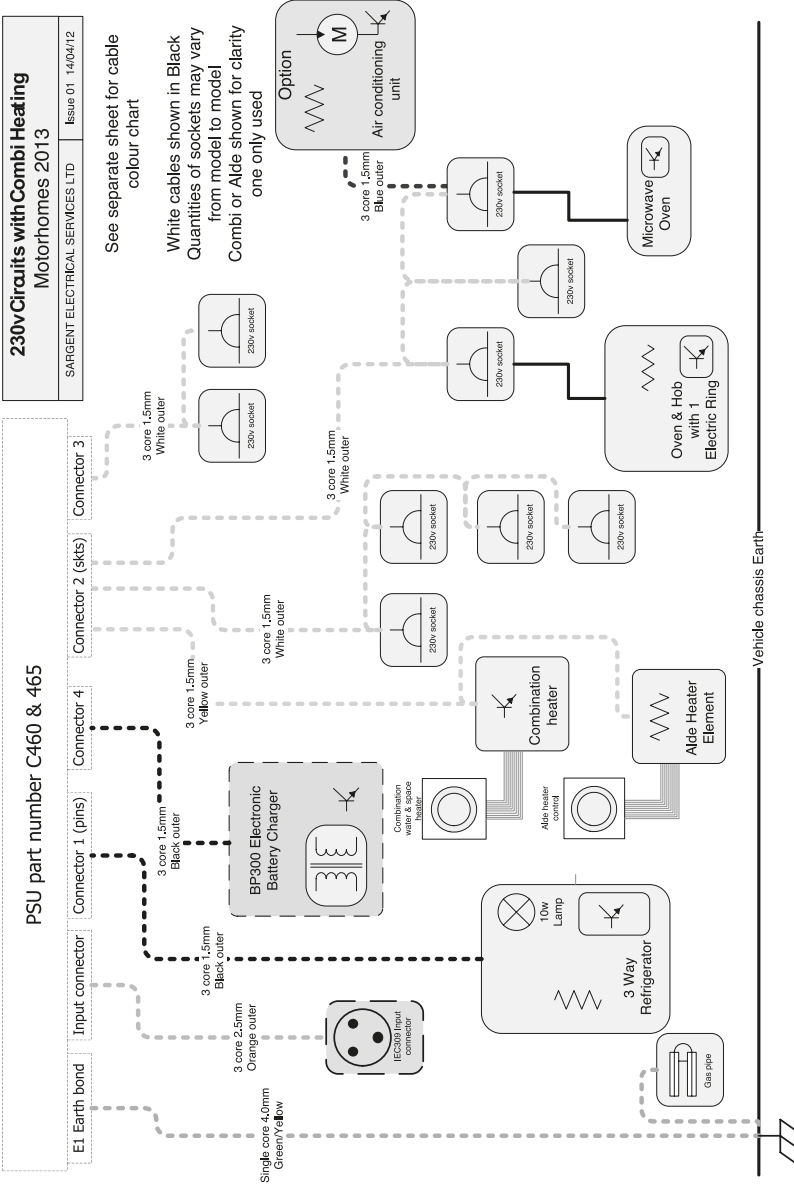
Copyright Sargent Electrical Services Ltd. 2012 all rights reserved. Subject to change without prior notice.

Wiring Diagrams

Sundance / E400 - Power circuits



Sundance / E400 - 230v with combi heating



Copyright Sargent Electrical Services Ltd, 2012 all rights reserved. Subject to change without prior notice.

Wiring Diagrams

Sundance / E400 - Cable Colour Chart



Example

Y/U

Yellow cable with Blue stripe

Cable Colour Chart
Swift Group 2009

SARGENT ELECTRICAL SERVICES LTD

Issue 01 / 01/09/08

12v Cable Colours

B	BLACK
N	BROWN
R	RED
O	ORANGE
Y	YELLOW
G	GREEN
U	BLUE
P	PURPLE
S	SLATE GREY
W	WHITE
K	PINK

230v Cable Colours

B	BLACK
N	BROWN
W	WHITE
O	ORANGE
Y	YELLOW
G	GREEN
U	BLUE

Copyright Sargent Electrical Services Ltd. 2012 All rights reserved. Subject to change without prior notice.

Bulb Chart

Road Lights		
Application	Bulb Reference	Bulb Rating
Front marker light	W5W	12v 5W
Side marker light	W5W	12v 5W
Rear high level marker light	LED	12v <1W
High level stop lamp	T5/13.5	12v 2.3W
Rear indicator lamp	P21	12v 21W
Rear Stop / Tail lamp	P21/5W	12v 21w / 5W
Rear reverse lamp	P21	12v 21W
Rear fog lamp	P21	12v 21W
Number plate light	C5W	12v 5W
Interior / Other		
Application		Bulb Rating
Downlighters, LED, Silver	FEM0855 complete lamp	12v LED
Locker spotlights, LED	FEM0854 complete lamp	12v LED
China locker light	FEM0859 complete lamp	12v LED
Worktop recessed lighting	500mm / 1000mm LED ribbon	12v LED
Luton lamp	300mm fluorescent	12v 8W
Above locker mounted fluorescent lamps	300mm fluorescent bulb	12v 8W
Ceiling lights, round, twin bulb	FEM0467 complete lamp	12v LED
B-pillar map reading lamps	GU4/MR11 dichroic bulb	GU4 12v 10W
Awning lamp, LED	LED complete unit	12v 2.2W LED

Note: Not all lights feature on all models within a range

Bulb replacement

SUNDANCE / E400 SERIES ROAD LIGHTING, COACH-BUILT BODY MOUNTED LAMPS

STOP / TAIL, INDICATOR, FOG AND REVERSE LAMPS

Bulb access is from front / via lense of each lamp.

Remove 2x screws from each light lense and withdraw lense.

Bulbs are a bayonet fitting – apply slight pressure on bulb towards light fitting, and twist to release.

Reverse procedure to re-fit bulb and lense.

Take care when replacing stop/tail lamp bulb, that orientation of bulb is correct – to check, brake light operation should be brighter than tail lamp operation.

REAR UPPER MARKER / POSITION LAMPS

These lamps are LED and have no user serviceable parts inside.

Replacements should be undertaken by your dealer, as the lamps are sealed onto the mounting panel.

HIGH LEVEL BRAKE LAMP

Light is one piece design with no internally replaceable parts.

Remove 2x screws at either end of lamp, and withdraw whole fitting away from motorhome body.

Harness connects via a connector with retention barb into the rear of the lamp. With finger pressure or using a small screwdriver release the barb by pushing it toward the harness, and unplug the harness from the lamp.

Push fit connector back into replacement lamp, and secure lamp to motorhome body with 2x screws.

Lamp retaining screws are fixed into a rubber sleeve with a threaded insert, often known as a rawlnut. If lamp has been removed / re-fitted several times the rubber sleeve may need replacing, these are available through your dealer.

FRONT UPPER MARKER / POSITION LAMPS

Bulb access is from rear of lamp.

Remove 2x screws from light fitting, and withdraw whole fitting from motorhome body.

Harness plugs into bulb holder – Twist bulb holder relative to lamp body to release bulb holder from lamp body.

Bulbs are push fit into bulb holder – pull bulb directly away from holder to release.

Reverse procedure to replace bulb in holder, holder in lamp and lamp onto motorhome body.

FRONT HIGH LEVEL MARKER / POSITION LAMPS (RECTANGULAR LENSE)

These lamps are LED and have no user serviceable parts inside.

Replacements should be undertaken by your dealer, as the lamps are sealed onto the mounting panel.

SIDE MARKER / POSITION LAMPS

Bulb access is from rear of lamp.

Check first within motorhome if rear of lamp is visible.

If rear of lamp is visible:

Harness plugs into bulb holder – Twist bulb holder relative to lamp body to release bulb holder from lamp body.

Bulbs are push fit into bulb holder – pull bulb directly away from holder to release.

Reverse procedure to replace bulb in holder, holder in lamp and lamp onto motorhome body.

If rear of lamp is not visible:

Remove 2x screws from light fitting, and withdraw whole fitting from motorhome body.

Harness plugs into bulb holder – Twist bulb holder relative to lamp body to release bulb holder from lamp body.

Bulbs are push fit into bulb holder – pull bulb directly away from holder to release.

Reverse procedure to replace bulb in holder, holder in lamp and lamp onto motorhome body.



