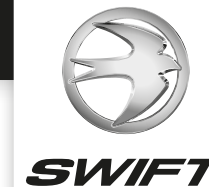


CREATING SMILES FOR LIFE



CREATING SMILES FOR LIFE



SWIFT GROUP

Dunswell Road
Cottingham
East Yorkshire
HU16 4JX

Tel: 01482 875740
Fax: 01482 840082
Email: enquiry@swiftgroup.co.uk

Swift Group Technical Handbook

Van Conversions

FIND OUT MORE AT SWIFTGROUP.CO.UK



Brochure



Layouts



Dealer



Video



Social

Issued July 2017



Select Specifications 2
Select Capacities 4
Select Towing Capabilities 5
Select Jacking Points 6
Wiring Diagrams 7
Bulb Replacement..... 12
Bed make up 13
Dealer Special Edition based on Select 16

Specifications

Model	Select 122	Select 144	Select 164
Roof Profile	Panel Van	Panel Van	Panel Van
Engine Power	115 MJT	115 MJT	115 MJT
Engine Capacity	2.0L	2.0L	2.0L
Chassis	Ducato 35L	Ducato 35L	Ducato 35L
Wheel base	4.04m/13'3"	4.04m/13'3"	4.04m/13'3"
Designated Passenger Seats excluding Driver	1	3	3
Berths (sleeping positions)	2	3	3
Overall Length (no ladder)	6.00m/19'8"	6.00m/19'8"	6.36m/20'11"
Overall Width	2.05m/6'9"	2.05m/6'9"	2.05m/6'9"
Overall Width (mirrors folded)	2.26m/7'5"	2.26m/7'5"	2.26m/7'5"
Overall Width (mirrors extended)	2.51m/8'3"	2.51m/8'3"	2.51m/8'3"
Overall Height	2.72m/8'11"	2.72m/8'11"	2.72m/8'11"
Maximum Technical Permissible Laden Mass (A)	3500kg	3500kg	3500kg
Mass in Running Order (B)	2822kg	2905kg	2935kg
Maximum User Payload (A-B)	678kg	595kg	565kg
Unladen Weight	2666kg	2749kg	2779kg
Essential Habitation Equipment	0kg	0kg	0kg
Thermal Insulation Grade	Three	Three	Three
Bed Sizes			
Front Double (Travel seat option only)			
Front Nearside Single			
Front Offside Single (Travel seat option only)		1.70m x 0.90m/0.54m / 5'7" x 2'11"/1'9"	1.70m x 0.90m/0.54m / 5'7" x 2'11"/1'9"
Rear Double	1.86m x 1.88m / 6'1" x 6'2"	1.83m x 1.35m / 6'0" x 4'5"	1.85m x 1.30m / 6'1" x 4'3"
Rear Nearside Single	1.88m x 0.65m / 6'2" x 2'2"		
Rear Offside Single	1.88m x 0.65m / 6'2" x 2'2"		
Rear Bunk (Upper)			
Rear Bunk (Lower)			
Overcab Bed			

Note: 1. The **Maximum User Payload** includes:

- Conventional load** (this is the allowance for passengers)
- Essential habitation equipment** (items and fluids required for safe and proper functioning of habitation equipment)
- Optional equipment** (items available from the manufacturer over and above the standard specification)
- Personal effects** (those items not covered by the above)

2. The **Mass in Running Order** is the mass of the unladen vehicle including a 75kg allowance for the driver plus engine coolants and 90% of the fuel tank and 1 x 6kg Calor Lite LPG cylinder.

3. The **Mass in Running Order** is calculated with the fresh water tank and water heater empty. If you travel with water in the fresh water tank or water heater then the payload will reduce accordingly.

Select 184
Panel Van
115 MJT
2.0L
Ducato 35L
4.04m/13'3"
3
4
6.36m/20'11"
2.05m/6'9"
2.26m/7'5"
2.51m/8'3"
2.72m/8'11"
3500kg
2955kg
545kg
2799kg
0kg
Three
1.76m x 1.22m / 5'9" x 4'0"
1.70m x 0.90m/0.54m / 5'7" x 2'11" / 1'9"
1.86m x 1.20m / 6'1" x 3'11"

Options	Mass Increase
Automatic gear box	+ 17kg
Drivers Pack / 130 MJT engine	+ 30kg
Lux Pack	+ 5kg
Rear passenger seat	+ 80kg (See note 3)

4. PLEASE TAKE CARE TO ENSURE THAT YOU HAVE ALLOWED FOR THE MASSES OF ALL ITEMS YOU INTEND TO CARRY IN THE MOTOR CARAVAN, e.g. passengers, optional equipment, essential habitation equipment and personal effects, such as clothing, food, pets, bicycles, sailboards, sports equipment etc.

5. **WARNING** - UNDER NO CIRCUMSTANCES SHOULD THE MAXIMUM TECHNICAL PERMISSIBLE LADEN MASS OF THIS MOTOR CARAVAN BE EXCEEDED.

Capacities

Water Tank Capacities

	Fresh Water Tank	Waste Water Tank	Water Heater
Select 164 & 184	59 litre	41 litre	10 litre
122 & 144	93 litre	58 litre	10 litre

LPG Locker Capacity

	Capacity
All models	2 x 7kg

The above are recommended gas bottle sizes

Note: For technical data on the base vehicle please refer to the manufacturer's handbook.

Towing capabilities

Van Conversion Towing Capabilities

Model	MTPLM	Permissible Front Axle Load	Permissible Rear Axle Load	Recommended Maximum Trailer Weight	Gross Train Weight
Select 122	3500kg	1850kg	2000kg	2500kg	6000kg
Select 144	3500kg	1850kg	2000kg	2500kg	6000kg
Select 164	3500kg	1850kg	2000kg	2500kg	6000kg
Select 184	3500kg	1850kg	2000kg	2500kg	6000kg

Please note that the additional weight of the tow bar and trailer nose weight increases the rear axle loading of the motor home so care should be taken that the rear axle load is not exceeded when towing.

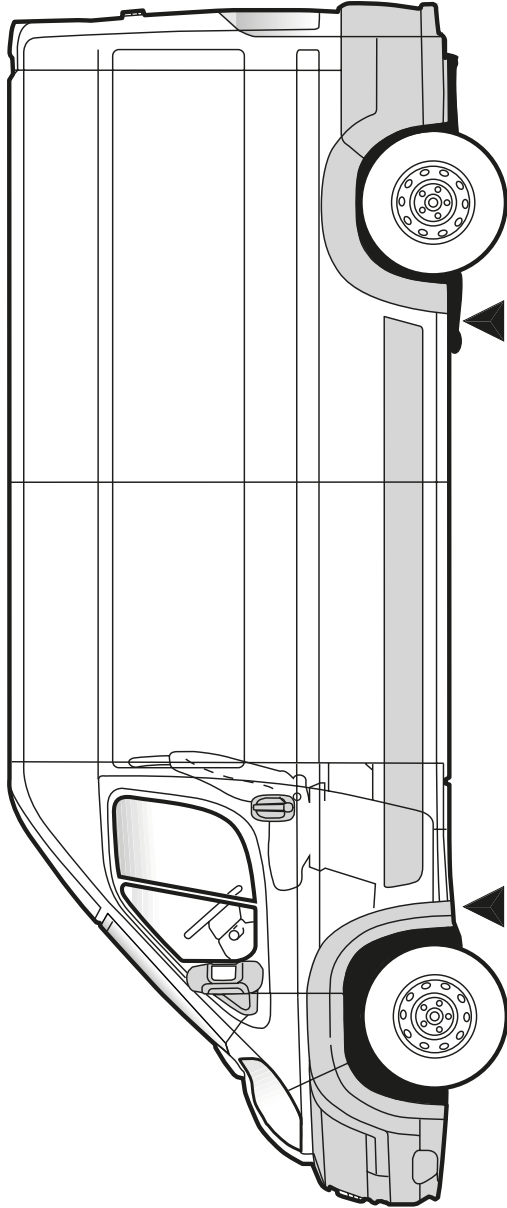
To ensure adequate road holding, the load on the front axle, under all conditions, must not be less than 40% or more than 70% of the total weight.

Care must be taken when distributing loads. The loadings and weights above are maximums and must not be exceeded under any circumstances.

⚠ CAUTION: When fitting a towbar, it must meet certain minimum requirements as specified by Type Approval Regulations. The bar will have marked on it the approval standard (94/20/EC or 55R ECE) and the maximum download, or noseweight, that it can accept. It must fit the manufacturer's approved mounting points and must not obscure the towing vehicle's number plate.

Jacking points

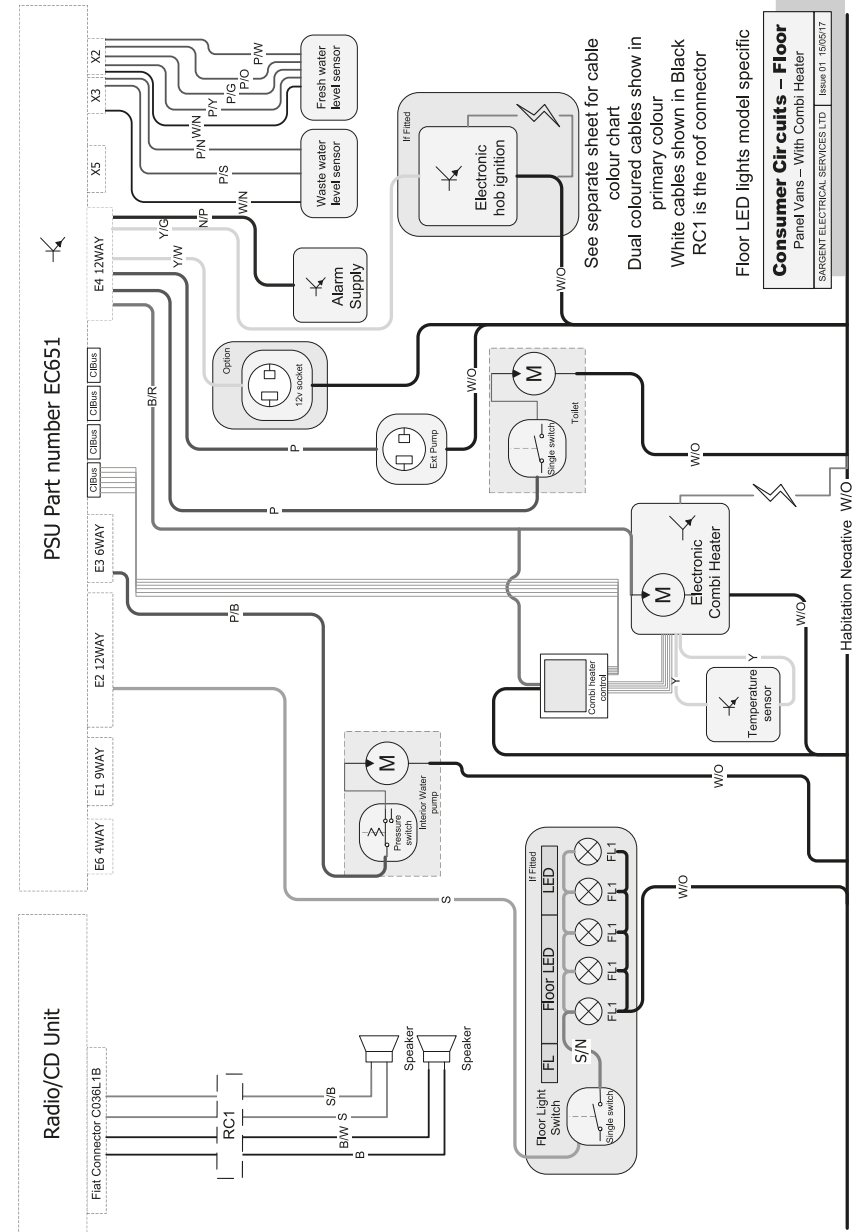
Van Conversion



Jacking Point: ▲

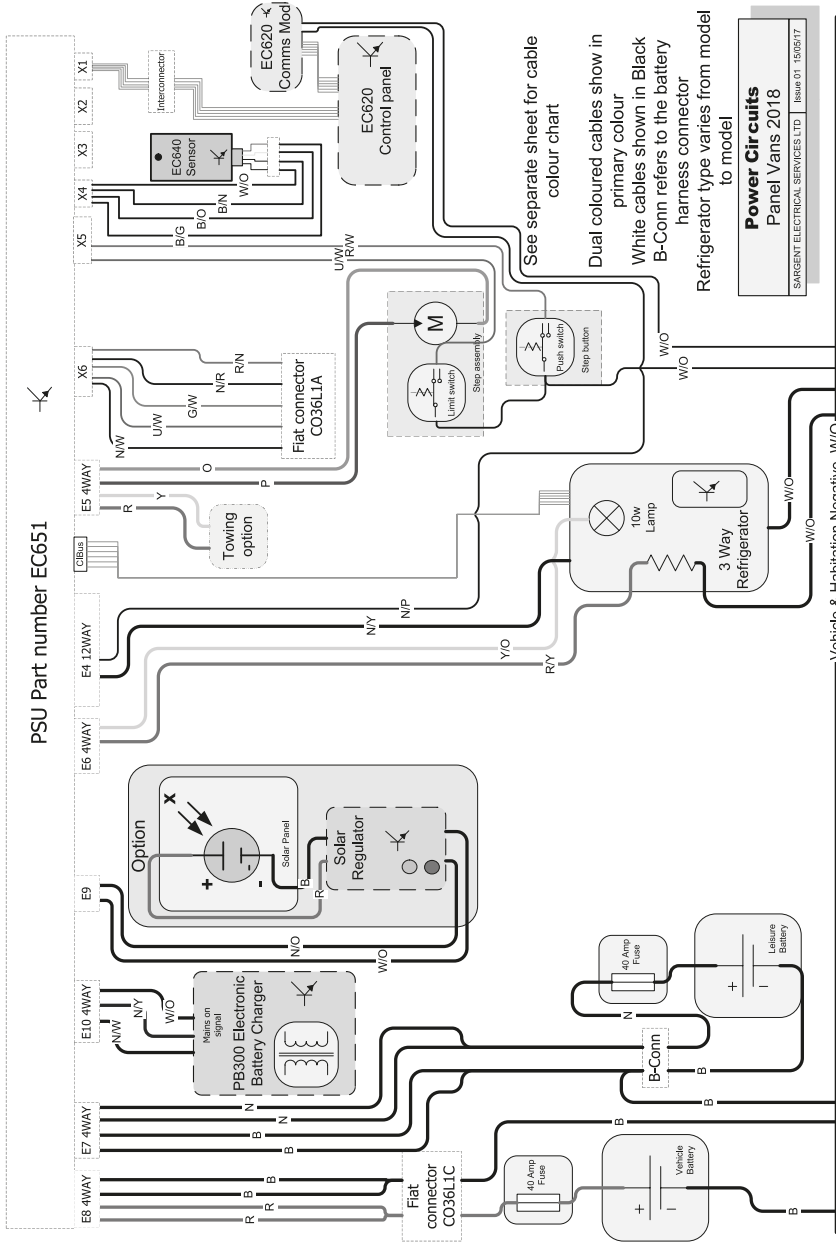
Wiring diagrams

Consumer circuits floor with combi heater



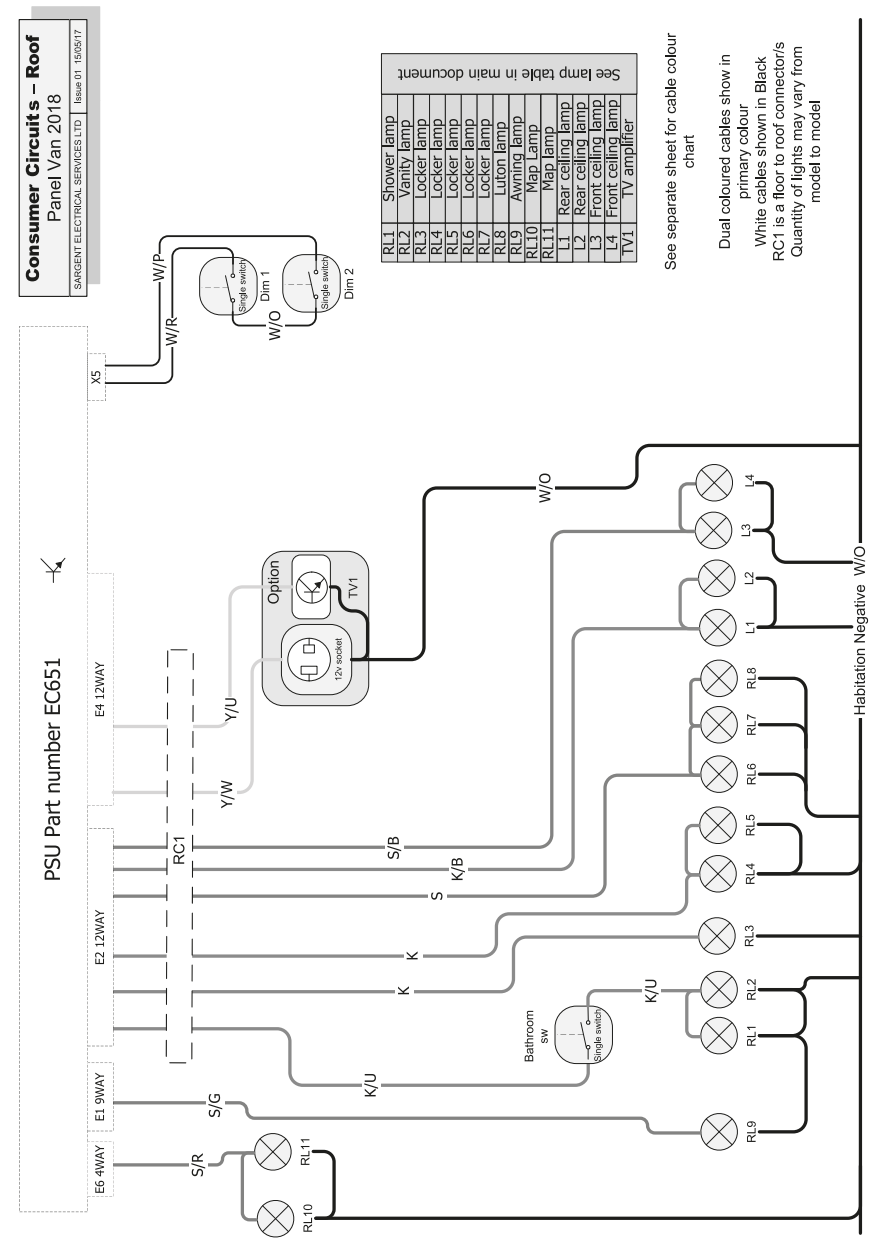
Wiring diagrams

Power circuits

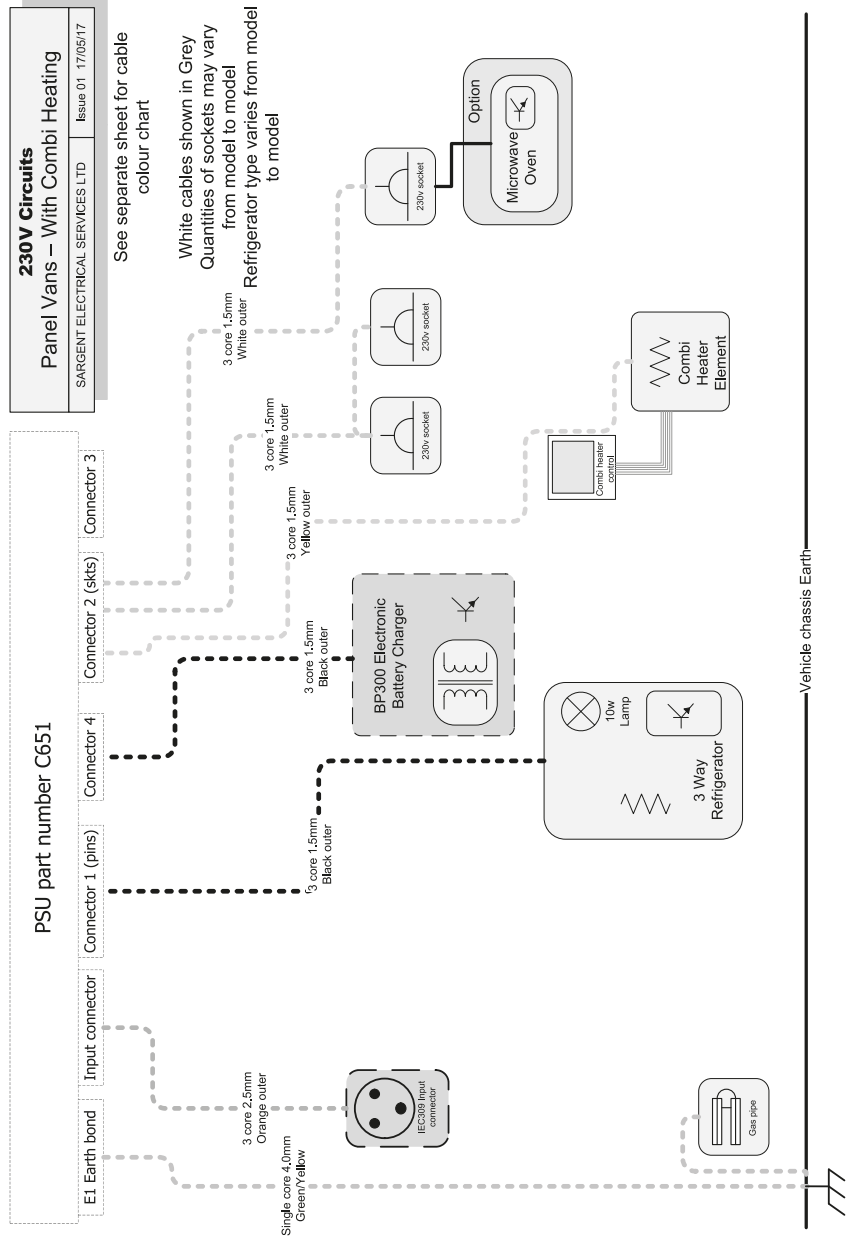


Wiring diagrams

Consumer circuits roof



230v circuits with combi heater



Cable colour chart



230v Cable Colours

B	BLACK
N	BROWN
W	WHITE
O	ORANGE
Y	YELLOW
G	GREEN
U	BLUE

12v Cable Colours

B	BLACK
N	BROWN
R	RED
O	ORANGE
Y	YELLOW
G	GREEN
U	BLUE
P	PURPLE
S	SLATE GREY
W	WHITE
K	PINK

Bulb replacement

ROAD LIGHTING, PANEL VAN REAR LIGHT CLUSTER ACCESS

REAR ROAD LIGHT CLUSTERS

Bulb access is from the rear of the cluster. Please see the Fiat handbook for specific details of the clusters and individual lights contained within them.

The rear road light clusters are secured to the rear of the motorhome via nuts located on the rear of the cluster. To access these fixing nuts, an internal panel must be removed.

Two angled panels can be found at the rear of the motorhome, close to the rear door hinges. In the upper sections of these panels, a removable section exists (the removable panel may also house remote thermostats, light switches etc).

To remove the panel, first locate single screw cover caps at the top of the panel, using a flat bladed screwdriver or similar. Removing the screws will then allow the panel to be pulled up away from the corner of the vehicle, exposing a void with access to the rear of the lamp clusters.

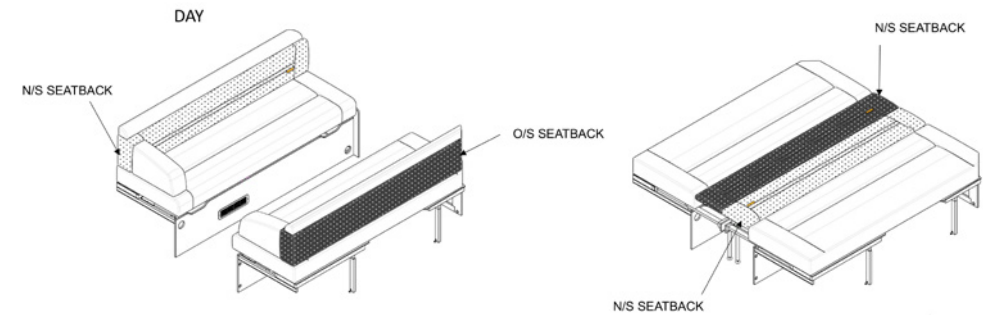
Reverse the procedure and push fit the screw cover cap back into place once complete.

ROAD LIGHTING, FRONT OF VEHICLE

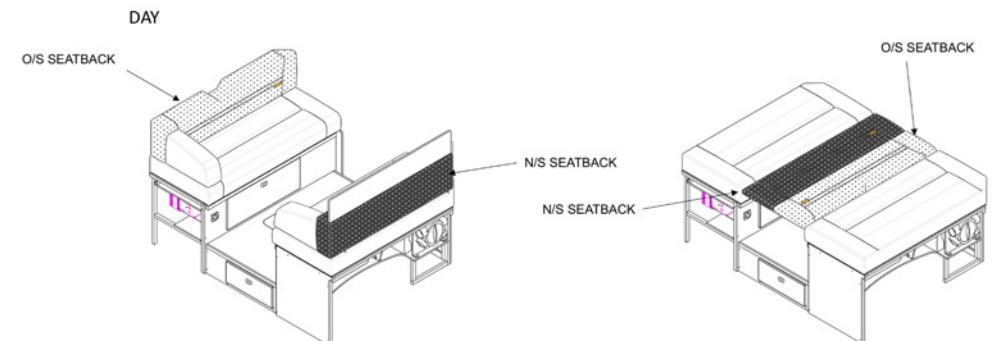
Please see the information contained within the Fiat handbook for details of access to headlight or side repeater bulbs.

Bed make up

Bed make up in Select 122 rear bed

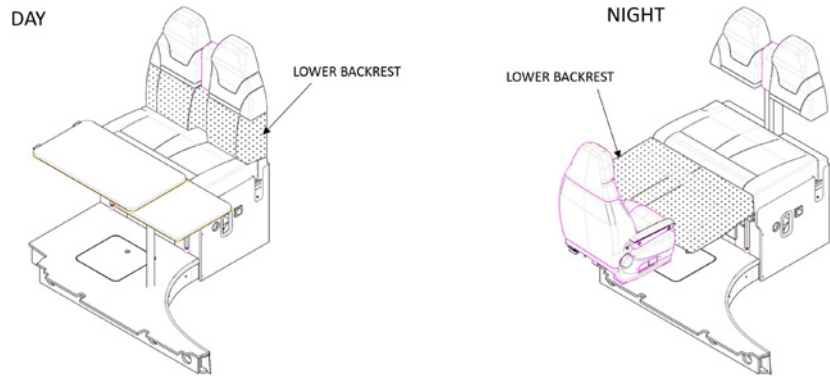


Bed make up in Select 144 rear bed



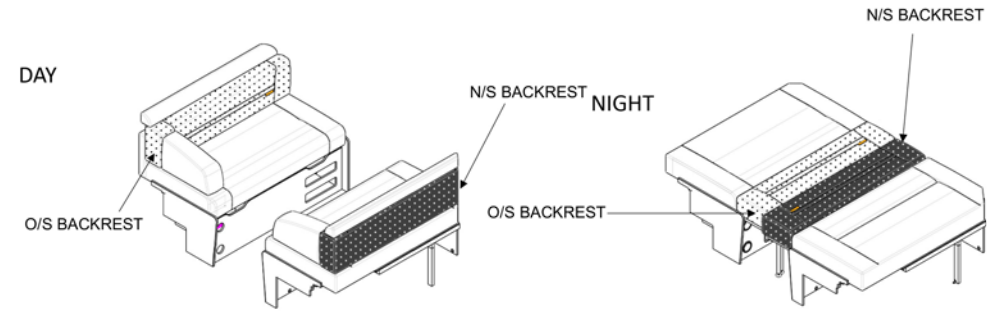
Bed make up

Select 144 and 164 front bed

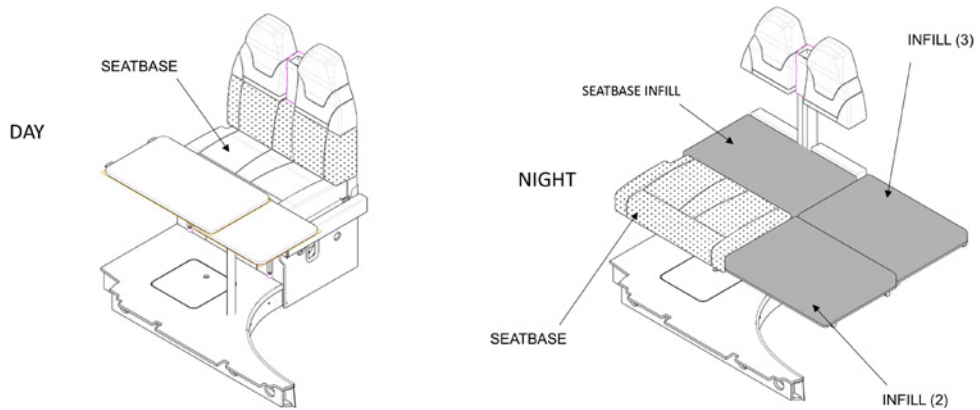


Bed make up

Bed make up in Select 184 rear bed



Bed make up in Select 184 front bed



Dealer Special Edition based on Select

Model	Select 122	Select 144	Select 164
Dealer			
Brownhills	Champagne 122	Champagne 144	Champagne 164
Webbs & Dolphin	Spirit 122	Spirit 144	Spirit 164
Roof Profile	Panel Van	Panel Van	Panel Van
Engine Power	115 MJT	115 MJT	115 MJT
Engine Capacity	2.0L	2.0L	2.0L
Chassis	Ducato 35L	Ducato 35L	Ducato 35L
Wheel base	4.04m/13'3"	4.04m/13'3"	4.04m/13'3"
Designated Passenger Seats excluding Driver	1	3	3
Berths (sleeping positions)	2	3	3
Overall Length (no ladder)	6.00m/19'8"	6.00m/19'8"	6.36m/20'11"
Overall Width	2.05m/6'9"	2.05m/6'9"	2.05m/6'9"
Overall Width (mirrors folded)	2.26m/7'5"	2.26m/7'5"	2.26m/7'5"
Overall Width (mirrors extended)	2.51m/8'3"	2.51m/8'3"	2.51m/8'3"
Overall Height	2.72m/8'11"	2.72m/8'11"	2.72m/8'11"
Maximum Technical Permissible Laden Mass (A)	3500kg	3500kg	3500kg
Mass in Running Order (B)	2892kg	2975kg	3005kg
Maximum User Payload (A-B)	608kg	525kg	495kg
Unladen Weight	2736kg	2819kg	2849kg
Essential Habitation Equipment	0kg	0kg	0kg
Thermal Insulation Grade	Three	Three	Three
Bed Sizes			
Front Double (Travel seat option only)			
Front Nearside Single			
Front Offside Single (Travel seat option only)		1.70m x 0.90m/0.54m / 5'7" x 2'11"/1'9"	1.70m x 0.90m/0.54m / 5'7" x 2'11"/1'9"
Rear Double	1.86m x 1.88m / 6'1" x 6'2"	1.83m x 1.35m / 6'0" x 4'5"	1.85m x 1.30m / 6'1" x 4'3"
Rear Nearside Single	1.88m x 0.65m / 6'2" x 2'2"		
Rear Offside Single	1.88m x 0.65m / 6'2" x 2'2"		
Rear Bunk (Upper)			
Rear Bunk (Lower)			
Overcab Bed			

Note: 1. The **Maximum User Payload** includes:

- Conventional load** (this is the allowance for passengers)
- Essential habitation equipment** (items and fluids required for safe and proper functioning of habitation equipment)
- Optional equipment** (items available from the manufacturer over and above the standard specification)
- Personal effects** (those items not covered by the above)

- The **Mass in Running Order** is the mass of the unladen vehicle including a 75kg allowance for the driver plus engine coolants and 90% of the fuel tank and 1 x 6kg Calor Lite LPG cylinder.
- The **Mass in Running Order** is calculated with the fresh water tank and water heater empty. If you travel with water in the fresh water tank or water heater then the payload will reduce accordingly.

- PLEASE TAKE CARE TO ENSURE THAT YOU HAVE ALLOWED FOR THE MASSES OF ALL ITEMS YOU INTEND TO CARRY IN THE MOTOR CARAVAN, e.g. passengers, optional equipment, essential habitation equipment and personal effects, such as clothing, food, pets, bicycles, sailboards, sports equipment etc.

- WARNING - UNDER NO CIRCUMSTANCES SHOULD THE MAXIMUM TECHNICAL PERMISSIBLE LADEN MASS OF THIS MOTOR CARAVAN BE EXCEEDED.**

Select 184
Champagne 184
Spirit 184
Panel Van
115 MJT
2.0L
Ducato 35L
4.04m/13'3"
3
4
6.36m/20'11"
2.05m/6'9"
2.26m/7'5"
2.51m/8'3"
2.72m/8'11"
3500kg
3025kg
475kg
2869kg
0kg
Three
1.76m x 1.22m / 5'9" x 4'0"
1.70m x 0.90m/0.54m / 5'7" x 2'11" / 1'9"
1.86m x 1.20m / 6'1" x 3'11"

Options	Mass Increase
Automatic gear box	+ 17kg