



Swift Group
Dunswell Road
Cottingham
East Yorkshire HU16 4JX
Tel 01482 847332
Fax 01482 841042
email enquiry@swiftgroup.co.uk

For more information visit
www.swiftgroup.co.uk

Issued February 2014

Elegance & Continental Technical Handbook



Elegance & Continental Specifications 2

Wiring Diagrams 4

Bulb Chart 11

Bulb Replacement..... 12

Specification

Elegance	Elegance 480	Elegance 570
Continental	Continental 480	Continental 570
Berths	2	4
Axles	1	1
Internal Length (bed box height)	4.63m/15'2"	5.93m/19'5"
Overall Width*	2.26m/7'5"	2.26m/7'5"
Overall Height (inc. TV Aerial)*	2.67m/8'9"	2.67m/8'9"
Maximum Internal Headroom	1.95m/6'5"	1.95m/6'5"
Overall Length*	6.19m/20'4"	7.49m/24'7"
Awning A/A dimension	8.66m/28'5"	10.02m/32'10"
Mass in Running Order (inc. tolerance)	1315kg/25.9cwt**	1532kg/30.2cwt**
Maximum Technical Permissible Laden Mass (Lower limit)	1438kg/28.3cwt**	1688kg/33.2cwt**
Maximum Technical Permissible Laden Mass (Upper limit)	1500kg/29.5cwt**	1750kg/34.4cwt
Total user Payload	123kg/2.4cwt	156kg/3.1cwt
Personal Effects	123kg/2.4cwt	156kg/3.1cwt
Options	0kg/0cwt	0kg/0cwt
Tyre Size	195/70 R15C 104 R	195/70 R15C 104 R
Tyre pressure at Lower limit MTPLM	57psi / 3.9bar	65 psi/4.5bar
Tyre pressure at Upper limit MTPLM	59 psi / 4.1bar	65 psi/4.5bar
Static Load on Coupling Head	100kg	100kg
Thermal Insulation Grade	THREE	THREE
Bed Sizes		
Front Double	198cm x 178cm/6'6" x 5'10"	198cm x 163cm/6'6" x 5'4"
or Front Nearside Single	188cm x 67cm/6'2" x 2'2"	163cm x 67cm/5'4" x 2'2"
and Front Offside Single	178cm x 67cm/5'10" x 2'2"	163cm x 67cm/5'4" x 2'2"
Rear Double		191cm x 129cm/6'3" x 4'3"
Rear Bunk		
Side Single (offside)		
Side Single (nearside)		
Side Bunk (offside)		

** Estimated

Weights: From the 2012 Season, the method of calculating the Mass in Running Order (MRO) and user payload figures was changed in order to bring it in line with European Vehicle Directives.

Allowances for essential equipment (e.g. gas cylinders) previously allowed for in the user payload are now contained within the MRO. A provision for a leisure battery which used to be within the essential equipment payload has now been included within the

personal effects payload allowance.

Although the method of calculation has changed, the overall effect is that the amount of payload available to the customer has remained the same, it is just calculated in a different manner.

The MRO is calculated with the fresh water tank empty. If you travel with water in the fresh water tank, the payload will be reduced accordingly.

Bed Sizes : Please note that the front double bed sizes quoted are for seating configurations without chest of drawers. The front double bed width for a layout with a chest of drawers fitted will be reduced by 0.4m(1'4") from that stated.

Elegance 580	Elegance 645
Continental 580	Continental 645
4	4
1	2
5.93m/19'5"	6.38m/20'11"
2.26m/7'5"	2.26m/7'5"
2.67m/8'9"	2.62m/8'7"
1.95m/6'5"	1.95m/6'5"
7.49m/24'7"	7.94m/26'1"
10.02m/32'10"	10.41m/34'2"
1532kg/30.2cwt**	1678kg/33.0cwt**
1688kg/33.2cwt**	1900kg/37.4cwt**
1750kg/34.4cwt	1900kg/37.4cwt
156kg/3.1cwt	222kg/4.4cwt
156kg/3.1cwt	160kg/3.1cwt
0kg/0cwt	0kg/0cwt
195/70 R15C 104 R	185/60 R15 88 H
65 psi/4.5bar	39 psi/2.7bar
65 psi/4.5bar	39 psi/2.7bar
100kg	100kg
THREE	THREE
198cm x 163cm/6'6" x 5'4"	198cm x 163cm/6'6" x 5'4"
163cm x 67cm/5'4" x 2'2"	163cm x 67cm/5'4" x 2'2"
163cm x 67cm/5'4" x 2'2"	163cm x 67cm/5'4" x 2'2"
182cm x 133cm/6'0" x 4'4"	182cm x 133cm/6'0" x 4'4"

Awning sizes: Due to varying awning designs and sizes the awning sizes given are approximate only. Specific awning sizes must be confirmed by your dealer or awning manufacturer prior to purchase.

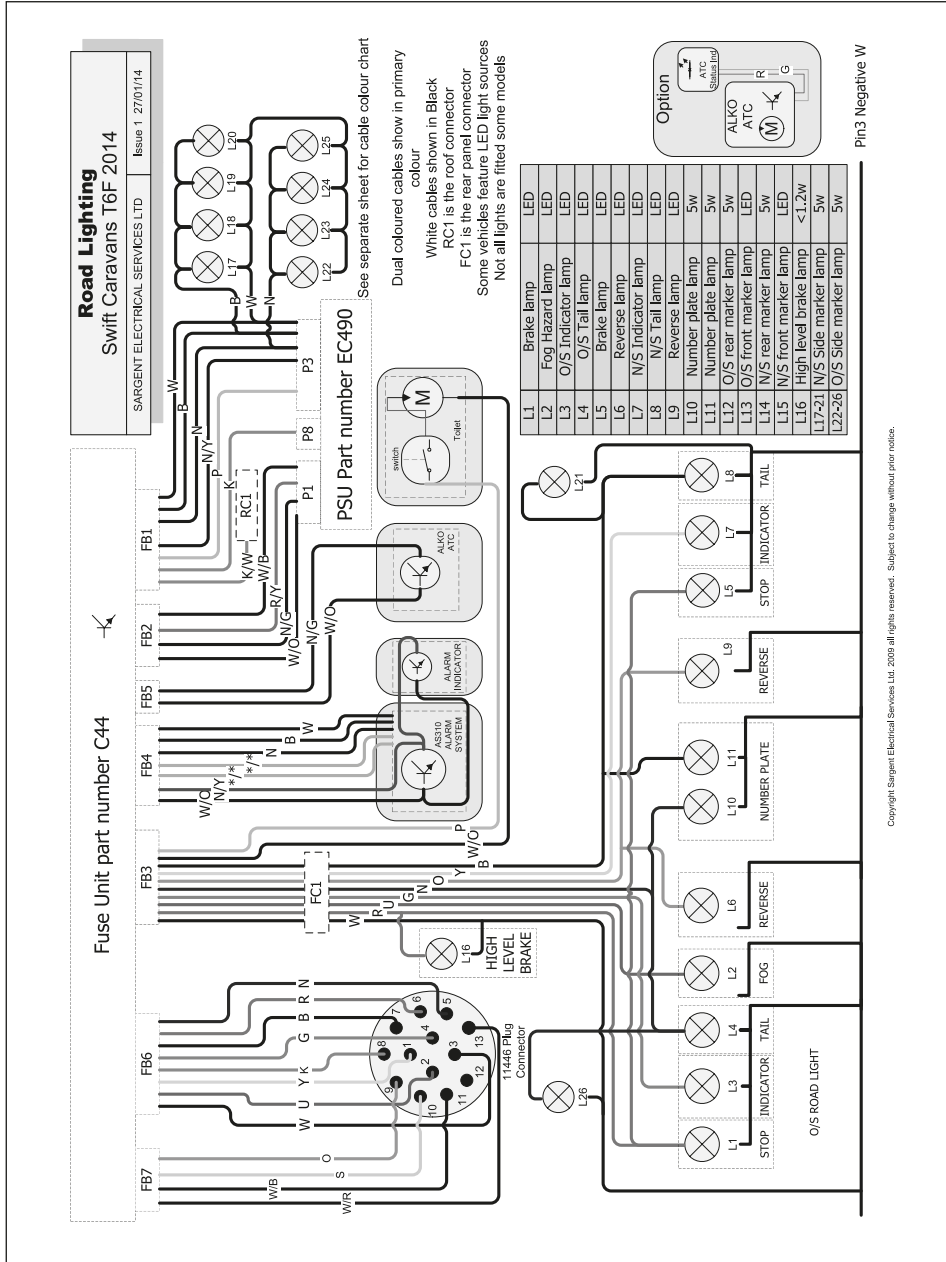
* The dimensions given are approximate due to slight variations in suspension ride heights, loading conditions and tyre pressures.

Customers should verify the actual dimensions of their touring caravan before committing to anything that could be impacted by these dimensions

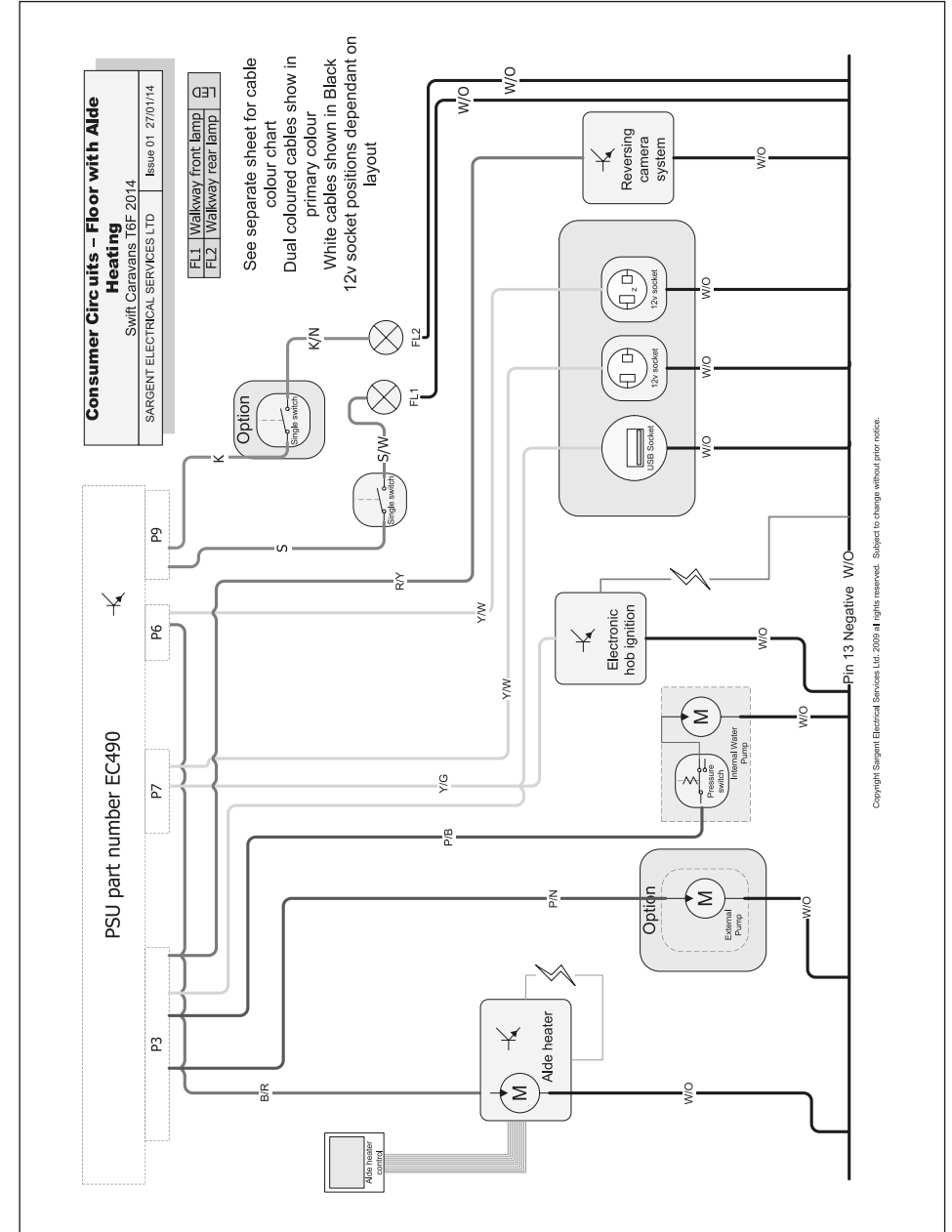
Please note: Any dealer fit options will reduce the overall payload available to the user of the caravan.

If you require additional payload it is possible to upgrade the MTPLM to the upper limit. Please contact your Swift caravan dealer for more information.

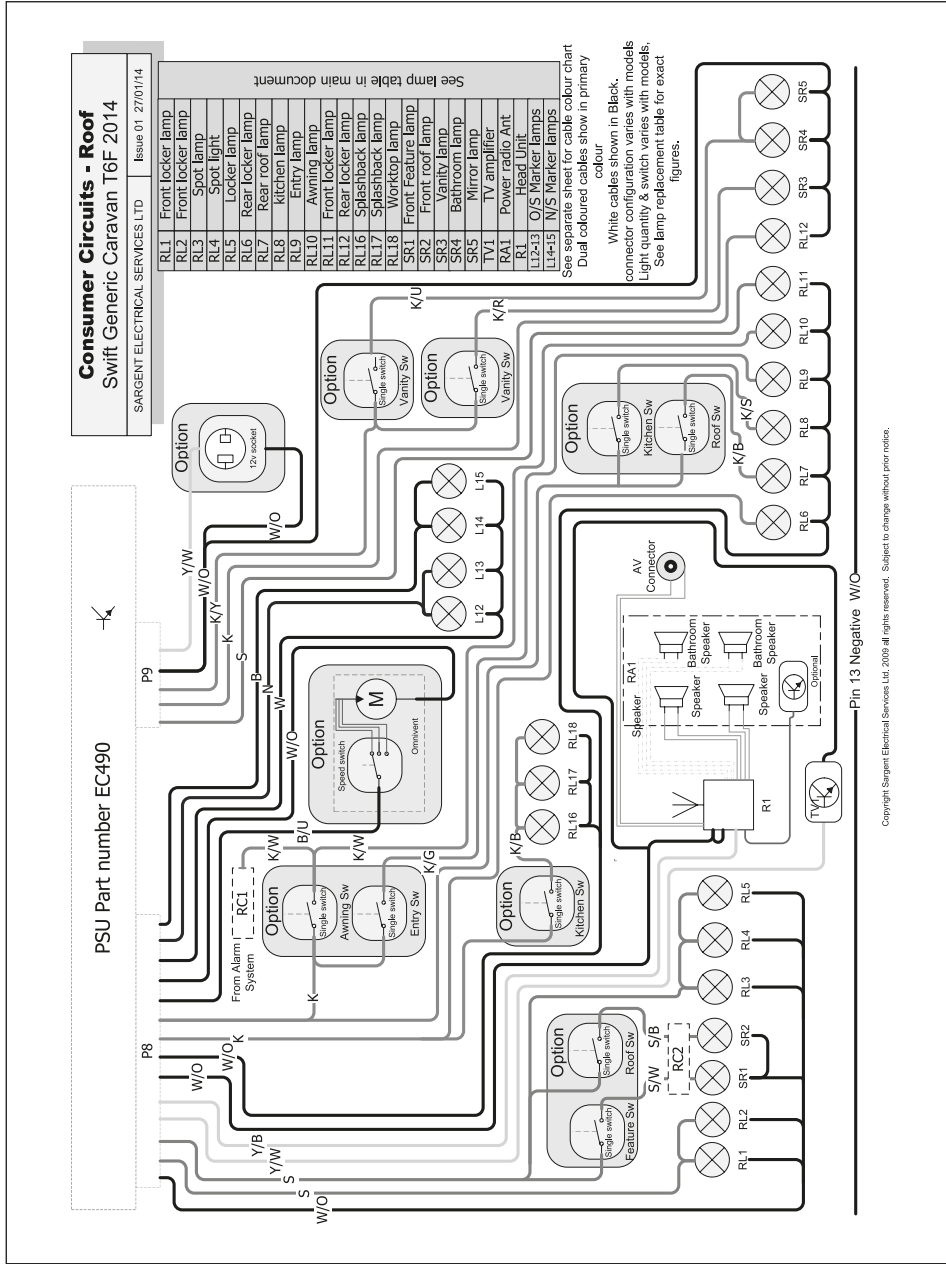
Elegance - Continental - Road lighting circuits



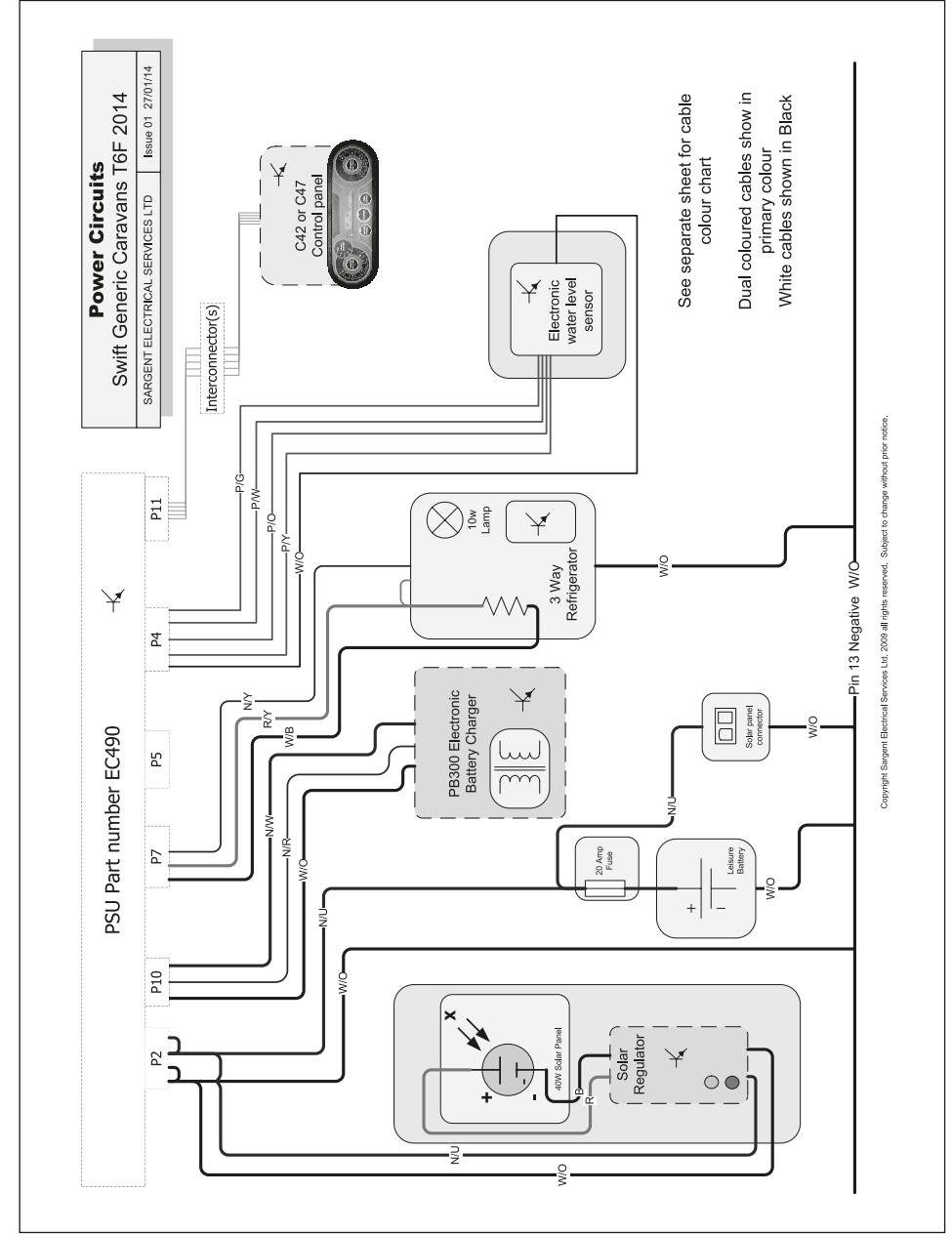
Elegance - Continental - Floor circuits with Alde



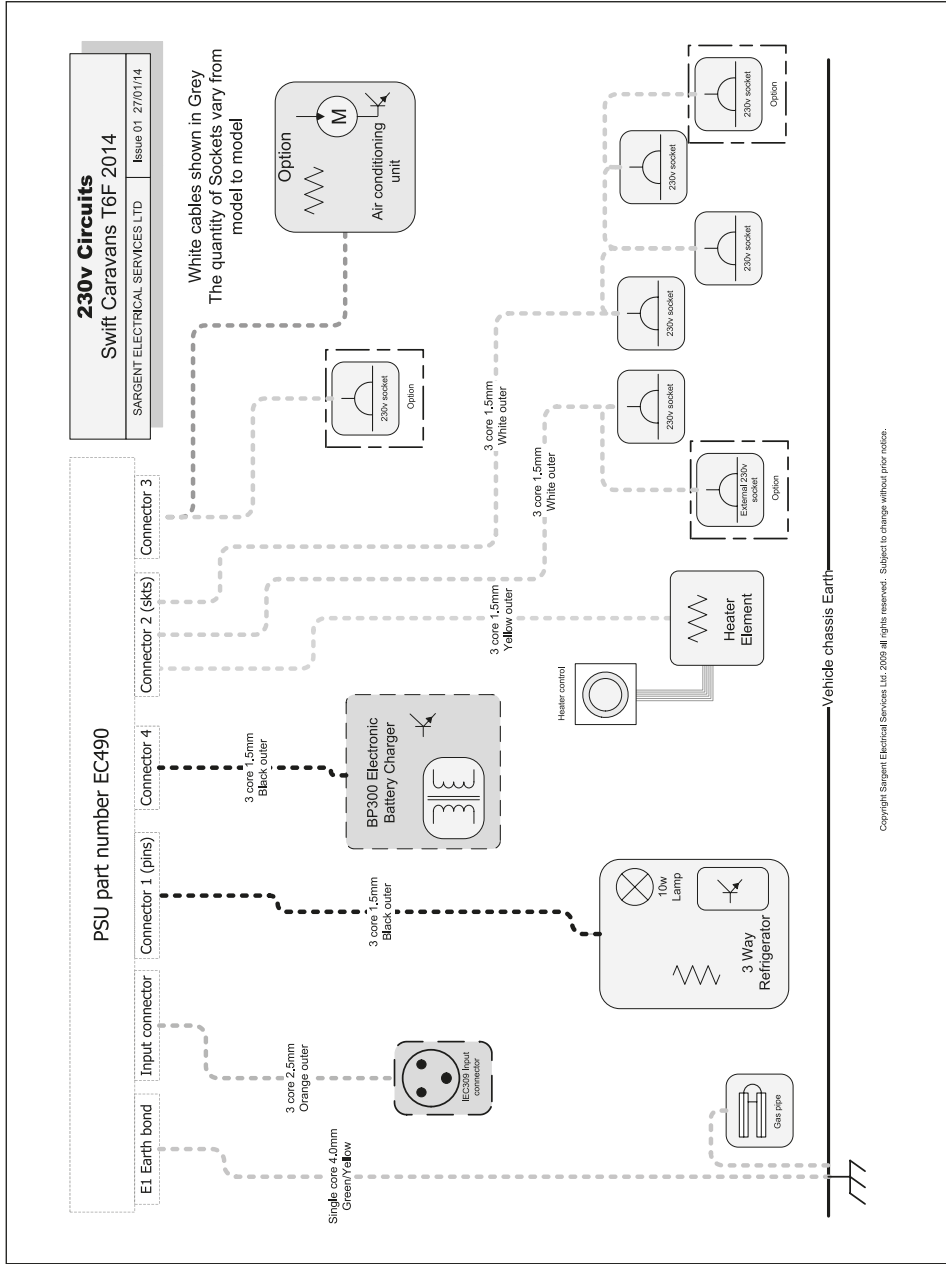
Elegance - Continental - Consumer circuits roof



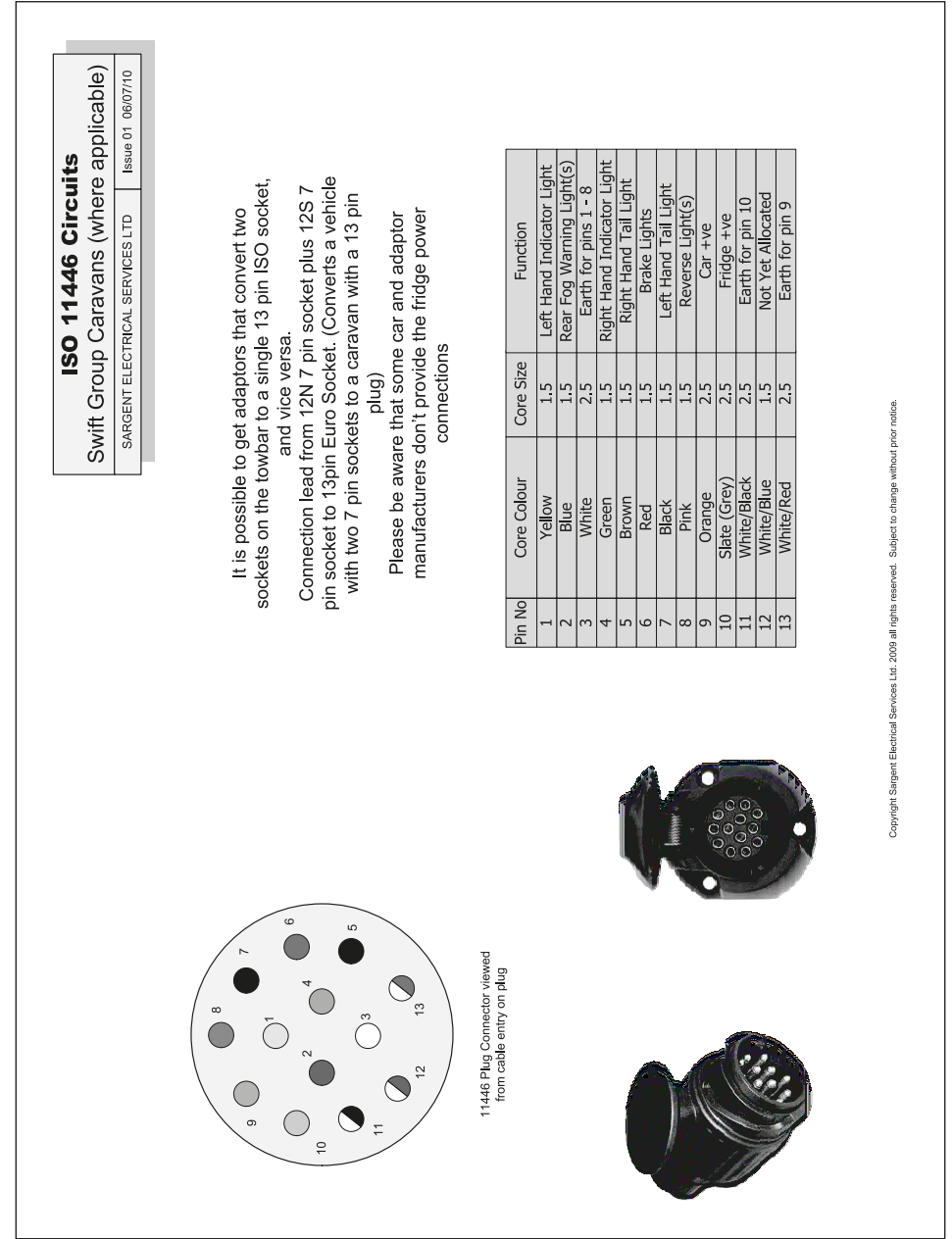
Elegance - Continental - Power circuits




Elegance - Continental - 230V circuits



Elegance - Continental - 13 Pin Circuits



Elegance - Continental - Cable colour chart



Y/U
Yellow cable with Blue stripe

Example

Cable Colour Chart
Swift range 2011

SARGENT ELECTRICAL SERVICES LTD Issue 06/07/10

12v Cable Colours	
B	BLACK
N	BROWN
R	RED
O	ORANGE
Y	YELLOW
G	GREEN
U	BLUE
P	PURPLE
S	SLATE GREY
W	WHITE
K	PINK

230v Cable Colours	
B	BLACK
N	BROWN
W	WHITE
O	ORANGE
Y	YELLOW
G	GREEN
U	BLUE

Copyright Sargent Electrical Services Ltd. 2010 all rights reserved. Subject to change without prior notice.

Exterior Lights	Bulb type	Bulb rating
Front marker lights	Jokon 11.1020.010	12v LED
Side marker - Low Level	W5W	12v 5w
Side marker - High Level	R5W	12v 5w
Rear light cluster (Multi function)	Britax L79.00.12v (LH) & L79.01.12v (RH)	12v LED
Number plate light	C5W	12v 5w
High level brake light	Jokon 15.0024.502	12v LED
Interior / Other Lights	Bulb type	Bulb rating
A-pillar rod lights	FEM-1075 LED complete unit	12v LED
Awning lamp with alarm indicator	FEM-1225-W LED complete unit	12v LED
Awning lamp without alarm indicator (Cameo only)	FEM-0945-W LED complete unit	12v LED
A-frame lamp (gas locker illumination, Cameo only)	C5W	12v 5w
Low level storage area lamp (Cameo only)	248mm complete lamp, CCFL cool White	12v CCFL
Locker spotlights (dimming function)	FEM-1168 LED complete unit	12v LED
Downlighters, Chrome	FEM-1189 LED complete unit	12v LED
Downlighters, Offset lense	FEM-0855 complete lamp, Silver	12v LED
Walkway Light (20mm diameter)	FEM-1189 LED complete unit	12v LED
Walkway light (10mm diameter)	FEM-0993 LED complete unit	12v LED
Kitchen light (splashback)	FEM-1043 complete lamp, surface mount	12v LED
Kitchen light	500mm complete lamp, CCFL cool White	12v CCFL
Vanity mirror rear illumination	FEM-1124-NW 750mm LED light strip	12v LED
Front roof lighting (strip over top chest)	FEM-0937-A five LED strip light	12v LED
Over locker lighting	FEM-1214 flexible LED light strip (cut to length)	12v LED
Feature lighting (i.e. cocktail cabinet light)	FEM-1214 flexible LED light strip (cut to length)	12v LED

Note: Not all bulbs and lights feature on all models within a range

Bulb replacement

T6F CONTINENTAL / ELEGANCE ROAD LIGHT BULB ACCESS

REAR LIGHT CLUSTERS (CONTAINING INDICATOR, TAIL / STOP, REVERSE AND FOG LAMPS):

- These multi-function lights are LED and have no user serviceable parts inside.
- Replacement clusters can be fitted in the following way:
- Remove three screws visible around the perimeter of the cluster
- Pull the cluster away from the rear panel of the tourer, taking care to not put excessive strain on the electrical connections behind the lamp
- Unplug the electrical connection from the rear of the lamp, by releasing the tab and lifting the connector upwards relative to the cluster
- Plug the connector back into the replacement lamp, position the lamp into the recess and replace the three fixing screws.

FRONT LOW LEVEL MARKER / POSITION LAMPS (CLEAR LENSE)

- These lamps are LED and have no user serviceable parts inside.
- Replacements should be undertaken by your dealer, as the lamps are sealed onto the mounting panel.

HIGH LEVEL BRAKE LAMP

- This lamp is single piece and has no user serviceable parts inside.
- Replacements should be undertaken by your dealer, as the lamps are sealed onto the mounting panel.

NUMBER PLATE LAMPS

- Bulb access is from via the front lense of each lamp
- Remove the two screws in the lense of the lamp, and remove
- Lever the bulb out of retaining clips
- Reverse the procedure to re-fit a new bulb and the light lense

SIDE MARKER / POSITION LAMPS

- Bulb access is from rear of lamp
- If rear of lamp is visible from inside the caravan:
 - Depending on the location, a small brown plastic cover may be present covering the connections to the lamp. Remove the screws in the cover to release and access the rear of the lamp.
 - The harness plugs directly into the bulb holder – twist the bulb holder relative to the lamp body to release, and withdraw the bulb holder and bulb.
 - Bulbs are push fit into bulb holder – pull bulb directly away from holder to release
 - Reverse the procedure to replace the bulb in the holder, holder in the lamp and the lamp onto the caravan body. Replace plastic cover.

If rear of lamp is not visible from inside the caravan:

- Remove the 2 screws from the front of the light fitting, and withdraw the whole fitting from the caravan body
- The harness plugs directly into the bulb holder – twist the bulb holder relative to the lamp body to release, and withdraw the bulb holder and bulb.
- Bulbs are push fit into bulb holder – pull bulb directly away from holder to release
- Reverse the procedure to replace the bulb in the holder, holder in the lamp and the lamp onto the caravan body.

UPPER SIDE MARKER / POSITION LAMPS (RED AND WHITE LENSE)

- Lense is removed from base to access bulb
- Carefully insert small flat bladed screwdriver into recess in lower edge of lamp base. Apply pressure to release locking barb.
- Lift lense upwards and away from lamp base, lower edge first
- Lever bulb out of retaining clips
- Reverse procedure to re-fit bulb and lense