

**SWIFT GROUP**  
Dunswell Road  
Cottingham  
East Yorkshire HU16 4JX  
Tel 01482 875740  
Fax 01482 840082  
email [enquiry@swiftgroup.co.uk](mailto:enquiry@swiftgroup.co.uk)

For more information visit  
[www.swiftgroup.co.uk](http://www.swiftgroup.co.uk)

Issued July 2016

# ESCAPE

## TECHNICAL HANDBOOK

---

FIND OUT MORE [SWIFTGROUP.CO.UK](http://SWIFTGROUP.CO.UK)



BROCHURE  
DOWNLOADS



FIND A  
DEALER



FACEBOOK AND  
SWIFT-TALK.CO.UK



PRODUCT VIDEOS  
[SWIFTTV.CO.UK](http://SWIFTTV.CO.UK)



Specifications ..... 2

Capacities ..... 10

Towing Capabilities ..... 11

Jacking ..... 12

Wiring Diagrams ..... 13

Bulb Chart ..... 19

Bulb Replacement..... 20

Bed Make Up in all models ..... 21

# Specifications

Model	Escape 614 Standard	Escape 614 Optional
Roof Profile	Low Line	
Engine	130 MJT	130 MJT Auto
Engine Capacity	2.3ltr	2.3ltr
Max Power	96kW @ 3600rpm	96kW @ 3600rpm
Torque	320Nm @ 1800rpm	320Nm @ 1800rpm
Chassis	MLWB Fiat Chassis	
Wheel base	3.80m/12'6"	
Designated Passenger Seats excluding Driver	3	
Berths (sleeping positions)	4	
Overall Length (no ladder)**	6.72m/22'1"	
Overall Width (mirrors folded)	2.31m/7'7"	
Overall Height**	2.88m/9'5"	
Maximum Technical Permissible Laden Mass (A)	3500kg	
Mass in Running Order (B)	2947kg	2964kg
Maximum User Payload (A-B)	553kg	536kg
Unladen Weight	2791kg	2808kg
Essential Habitation Equipment	0kg	
Thermal Insulation Grade	Three	
<b>Bed Sizes</b>		
Front Double	2.09m x 1.39m/1.03m / 6'10" x 4'7"/3'5"	
Front Nearside Single		
Front Offside Single		
Rear Double		
Rear Nearside Single		
Rear Offside Single		
Rear Bunk (Upper)		
Rear Bunk (Lower)		
Front Drop Down Bed	1.93m x 1.27m / 6'4" x 4'2"	

Escape 622 Standard	Escape 622 Optional
Low Line	
130 MJT	130 MJT Auto
2.3ltr	2.3ltr
96kW @ 3600rpm	96kW @ 3600rpm
320Nm @ 1800rpm	320Nm @ 1800rpm
MWB Fiat Chassis	
3.45m/11'4"	
1	
2	
6.29m/20'8"	
2.31m/7'7"	
2.88m/9'5"	
3500kg	
2760kg *	2777kg *
740kg *	723kg *
2604kg *	2621kg *
0kg	
Three	
2.08m x 1.69m / 6'10" x 5'7"	
1.75m x 0.68m / 5'9" x 2'3"	
1.86m x 0.68m / 6'1" x 2'3"	

**NOTE:** 1. The **Maximum User Payload** includes:

- a) the **conventional load** (this is the allowance for passengers)
- b) **essential habitation equipment** (items and fluids required for safe and proper functioning of habitation equipment)
- c) **optional equipment** (items available from the manufacturer over and above the standard specification)
- d) **personal effects** (those items not covered by the above)

2. The **Mass in Running Order** is the mass of the unladen vehicle including a 75kg allowance for the driver plus engine coolants and 90% of the fuel tank and 1 x 6kg Calor Lite cylinder. The MRO is calculated with the fresh water tank empty. If you travel with water in the fresh water tank then the payload will reduce accordingly.

3. PLEASE TAKE CARE TO ENSURE THAT YOU HAVE ALLOWED FOR THE MASSES OF ALL ITEMS YOU INTEND TO CARRY IN THE MOTOR CARAVAN, e.g. passengers, optional equipment, essential

habitation equipment and personal effects, such as clothing, food, pets, bicycles, sailboards, sports equipment etc.

4. **WARNING** - UNDER NO CIRCUMSTANCES SHOULD THE MAXIMUM TECHNICAL PERMISSIBLE LADEN MASS OF THIS MOTOR CARAVAN BE EXCEEDED.

\* Estimated

\*\* For optional roof ladder add 125mm to length 40mm to height on Low Line

# Specifications

Model	Escape 664 Standard	Escape 664 Optional
Roof Profile	Low Line	
Engine	130 MJT	130 MJT Auto
Engine Capacity	2.3ltr	2.3ltr
Max Power	96kW @ 3600rpm	96kW @ 3600rpm
Torque	320Nm @ 1800rpm	320Nm @ 1800rpm
Chassis	MLWB Fiat Chassis	
Wheel base	3.80m/12'6"	
Designated Passenger Seats excluding Driver	3	
Berths (sleeping positions)	4	
Overall Length (no ladder)**	6.72m/22'1"	
Overall Width (mirrors folded)	2.31m/7'7"	
Overall Height**	2.88m/9'5"	
Maximum Technical Permissible Laden Mass (A)	3500kg	
Mass in Running Order (B)	2835kg	2852kg
Maximum User Payload (A-B)	665kg	648kg
Unladen Weight	2679kg	2696kg
Essential Habitation Equipment	0kg	
Thermal Insulation Grade	Three	
<b>Bed Sizes</b>		
Front Double	2.09m x 1.23m/0.92m / 6'9" x 4'0"/3'0"	
Front Nearside Single		
Front Offside Single		
Rear Double	1.87m x 1.26m / 6'2" x 4'2"	
Rear Nearside Single		
Rear Offside Single		
Rear Bunk (Upper)		
Rear Bunk (Lower)		
Front Drop Down Bed Bed		

**NOTE:** 1. **The Maximum User Payload** includes:  
a) the **conventional load** (this is the allowance for passengers)

b) **essential habitation equipment** (items and fluids required for safe and proper functioning of habitation equipment)

c) **optional equipment** (items available from the manufacturer over and above the standard specification)

d) **personal effects** (those items not covered by the above)

2. The **Mass in Running Order** is the mass of the unladen vehicle including a 75kg allowance for the driver plus engine coolants and 90% of the fuel tank and 1 x 6kg Calor Lite cylinder.  
The MRO is calculated with the fresh water tank empty. If you travel with water in the fresh water tank then the payload will reduce accordingly.

3. PLEASE TAKE CARE TO ENSURE THAT YOU HAVE ALLOWED FOR THE MASSES OF ALL ITEMS YOU INTEND TO CARRY IN THE MOTOR CARAVAN, e.g. passengers, optional equipment, essential

habitation equipment and personal effects, such as clothing, food, pets, bicycles, sailboards, sports equipment etc.

4. **WARNING** - UNDER NO CIRCUMSTANCES SHOULD THE MAXIMUM TECHNICAL PERMISSIBLE LADEN MASS OF THIS MOTOR CARAVAN BE EXCEEDED.

\* Estimated

\*\* For optional roof ladder add 125mm to length 40mm to height on Low Line

Escape 674 Standard	Escape 674 Drop Down Bed	Escape 674 Drop Down Bed & Travelling Seat	Escape 674 Optional	Escape 674 Drop Down Bed Optional	Escape 674 Drop Down Bed & Travelling Seat Optional
Low Line					
130 MJT			130 MJT Auto		
2.3ltr			2.3ltr		
96kW @ 3600rpm			96kW @ 3600rpm		
320Nm @ 1800rpm			320Nm @ 1800rpm		
Fiat / Al-Ko Chassis					
4.65m/15'3"					
3	3	4	3	3	4
4	6	6	4	6	6
7.41m/24'4"					
2.31m/7'7"					
2.88m/9'5"					
3500kg					
2900kg *	2965kg *	3000kg *	2917kg *	2982kg *	3017kg *
600kg *	535kg *	500kg *	583kg *	518kg *	483kg *
2767kg *	2832kg *	2867kg *	2784kg *	2849kg *	2884kg *
0kg					
Three					
2.09m x 1.39m/1.03m / 6'10" x 4'7"/3'5"					
2.06m x 1.83m / 6'9" x 6'0"					
1.83m x 0.68m / 6'0" x 2'3"					
1.91m x 0.68m / 6'3" x 2'3"					
1.93m x 1.27m / 6'4" x 4'2" (opt)					

# Specifications

Model	Escape 684 Standard	Escape 684 Drop Down Bed	Escape 684 Drop Down Bed & Travelling Seat	Escape 684 Optional	Escape 684 Drop Down Bed Optional	Escape 684 Drop Down Bed & Travelling Seat Optional
Roof Profile	Low Line					
Engine	130 MJT			130 MJT Auto		
Engine Capacity	2.3ltr			2.3ltr		
Max Power	96kW @ 3600rpm			96kW @ 3600rpm		
Torque	320Nm @ 1800rpm			320Nm @ 1800rpm		
Chassis	Fiat / Al-Ko Chassis					
Wheel base	4.30m/14'1"					
Designated Passenger Seats excluding Driver	3	3	4	3	3	4
Berths (sleeping positions)	4	6	6	4	6	6
Overall Length (no ladder)**	7.41m/24'4"					
Overall Width (mirrors folded)	2.31m/7'7"					
Overall Height**	2.88m/9'5"					
Maximum Technical Permissible Laden Mass (A)	3500kg					
Mass in Running Order (B)	2915kg *	2980kg *	3015kg *	2932kg *	2997kg *	3032kg *
Maximum User Payload (A-B)	585kg *	520kg *	485kg *	568kg *	503kg *	468kg *
Unladen Weight	2782kg *	2847kg *	2882kg *	2799kg *	2864kg *	2899kg *
Essential Habitation Equipment	0kg					
Thermal Insulation Grade	Three					
<b>Bed Sizes</b>						
Front Double	2.09m x 1.39/1.03m / 6'10" x 4'7"/3'5"					
Front Nearside Single						
Front Offside Single						
Rear Double	2.08m x 1.45m / 6'10" x 4'9"					
Rear Nearside Single	1.92m x 0.80m / 6'4" x 2'7"					
Rear Offside Single	1.92m x 0.80m / 6'4" x 2'7"					
Rear Bunk (Upper)						
Rear Bunk (Lower)						
Front Drop Down Bed	1.93m x 1.27m / 6'4" x 4'2" (opt)					

**NOTE:** 1. The **Maximum User Payload** includes:  
a) the **conventional load** (this is the allowance for passengers)

b) **essential habitation equipment** (items and fluids required for safe and proper functioning of habitation equipment)

c) **optional equipment** (items available from the manufacturer over and above the standard specification)

d) **personal effects** (those items not covered by the above)

2. The **Mass in Running Order** is the mass of the unladen vehicle including a 75kg allowance for the driver plus engine coolants and 90% of the fuel tank and 1 x 6kg Calor Lite cylinder.

The MRO is calculated with the fresh water tank empty. If you travel with water in the fresh water tank then the payload will reduce accordingly.

3. PLEASE TAKE CARE TO ENSURE THAT YOU HAVE ALLOWED FOR THE MASSES OF ALL ITEMS YOU INTEND TO CARRY IN THE MOTOR CARAVAN, e.g. passengers, optional equipment, essential

habitation equipment and personal effects, such as clothing, food, pets, bicycles, sailboards, sports equipment etc.

4. **WARNING** - UNDER NO CIRCUMSTANCES SHOULD THE MAXIMUM TECHNICAL PERMISSIBLE LADEN MASS OF THIS MOTOR CARAVAN BE EXCEEDED.

\* Estimated

\*\* For optional roof ladder add 125mm to length 40mm to height on Low Line

Escape 685 Standard	Escape 685 Optional
Low Line	
130 MJT	130 MJT Auto
2.3ltr	2.3ltr
96kW @ 3600rpm	96kW @ 3600rpm
320Nm @ 1800rpm	320Nm @ 1800rpm
Fiat / Al-Ko Chassis	
4.65m/15'3"	
4	
6	
6.92m/22'8"	
2.31m/7'7"	
2.88m/9'5"	
3500kg	
2895kg	2912kg
605kg	588kg
2762kg	2779kg
0kg	
Three	
2.11m x 1.39/1.06m / 6'11" x 4'7"/3'5"	
2.06m x 1.37m / 6'9" x 4'6"	
1.93m x 1.27m / 6'3" x 4'2"	



## Capacities

### Water Tank Capacities

	Fresh Water Tank	Waste Water Tank	Water Heater
Escape	100 litre	68 litre	10 litre

### LPG Locker Capacity

	Capacity
Escape	1 x 6kg + 1 x 13kg

**NOTICE : For technical data on the base vehicle please refer to the manufacturer's handbook**

## Towing Capabilities

### Escape Towing Capabilities

Model	MTPLM	Permissible Front Axle Load	Permissible Rear Axle Load	Recommended Maximum Trailer Weight	Gross Train Weight
Escape 614	3500kg	1850kg	2000kg	1600kg	5100kg
Escape 614	3650kg	1850kg	2000kg	1600kg	5250kg
Escape 622	3500kg	1850kg	2000kg	1600kg	5100kg
Escape 664	3500kg	1850kg	2000kg	1600kg	5100kg
Escape 664	3650kg	1850kg	2000kg	1600kg	5250kg
Escape 674	3500kg	1850kg	2000kg	1600kg	5100kg
Escape 674	3700kg	1850kg	2000kg	1600kg	5300kg
Escape 684	3500kg	1850kg	2000kg	1600kg	5100kg
Escape 684	3700kg	1850kg	2000kg	1600kg	5300kg
Escape 685	3500kg	1850kg	2000kg	1600kg	5100kg
Escape 685	3700kg	1850kg	2000kg	1600kg	5300kg
Escape 694	3500kg	1850kg	2000kg	1600kg	5100kg
Escape 694	3700kg	1850kg	2000kg	1600kg	5300kg
Escape 695	3500kg	1850kg	2000kg	1600kg	5100kg
Escape 695	3700kg	1850kg	2000kg	1600kg	5300kg

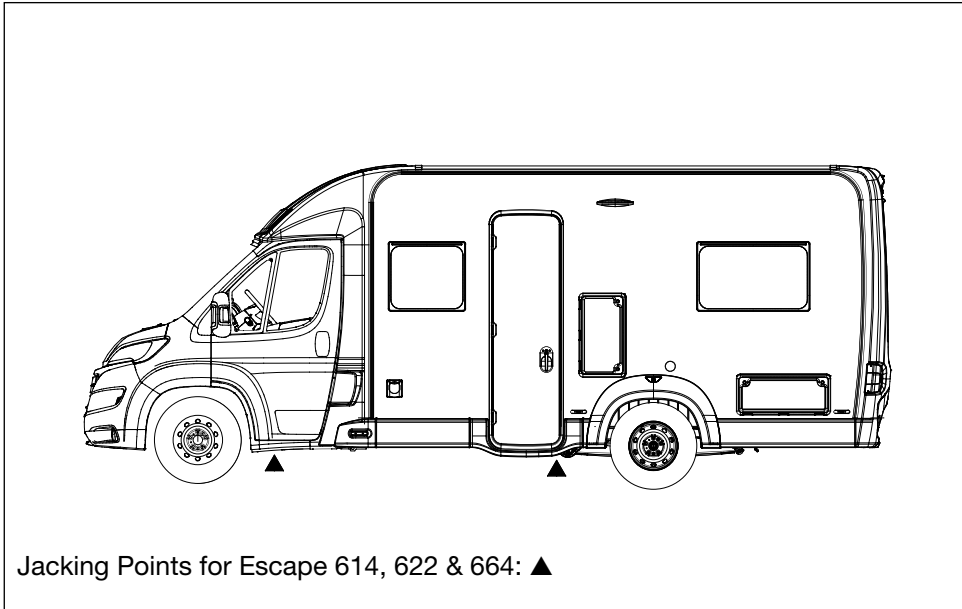
Please note that the additional weight of the tow bar and trailer nose weight increases the rear axle loading of the motor home so care should be taken that the rear axle load is not exceeded when towing.

To ensure adequate road holding, the load on the front axle, under all conditions, must not be less than 40% or more than 70% of the total weight.

Care must be taken when distributing loads. The loadings and weights above are maximums and must not be exceeded under any circumstances.

**CAUTION: When fitting a towbar, it must meet certain minimum requirements as specified by Type Approval Regulations. The bar will have marked on it the approval standard (94/20/EC or 55R ECE) and the maximum download, or nose weight, that it can accept. It must fit the manufacturer's approved mounting points and must not obscure the towing vehicle's number plate.**

## SWIFT ESCAPE

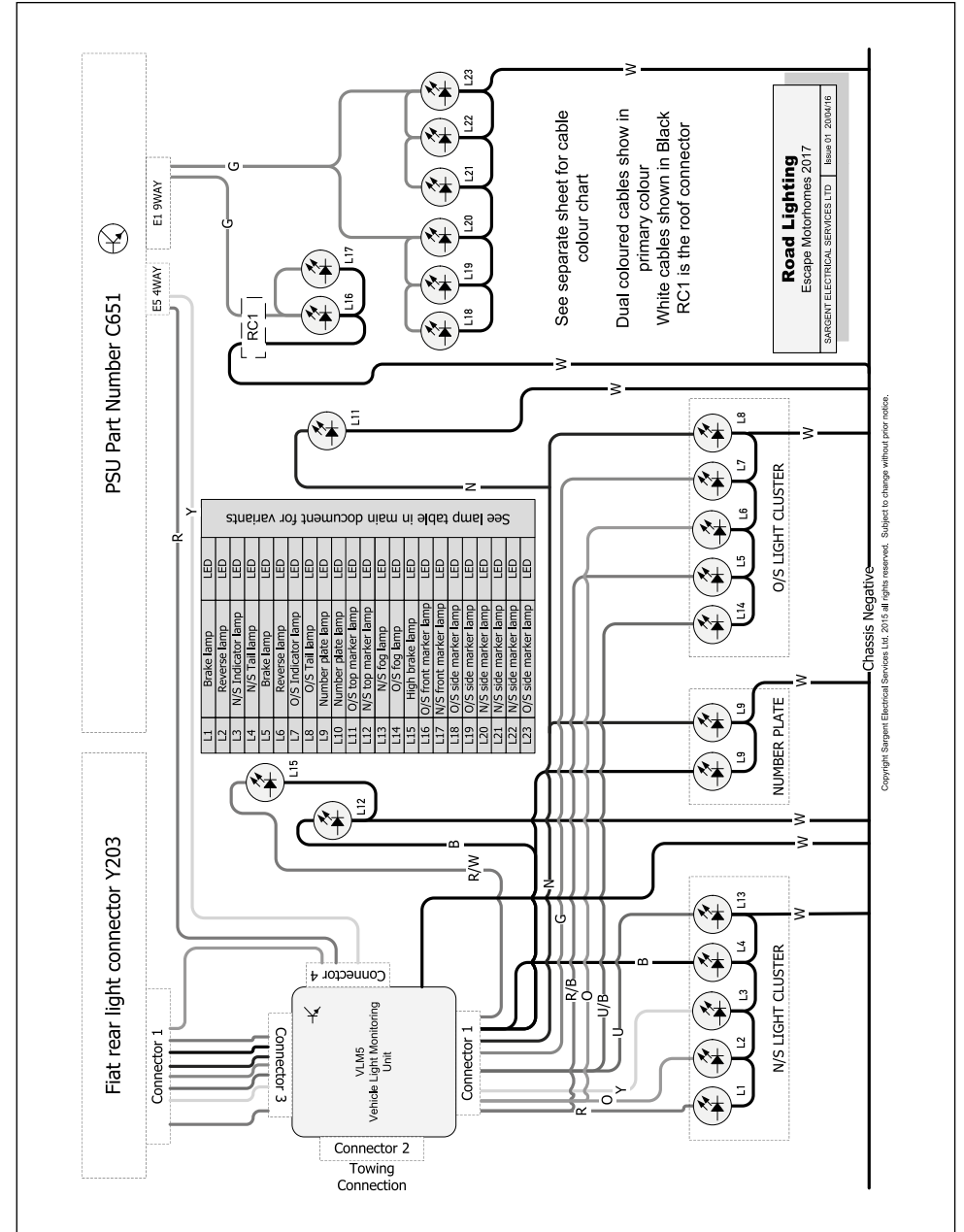


Jacking Points for Escape 614, 622 & 664: ▲



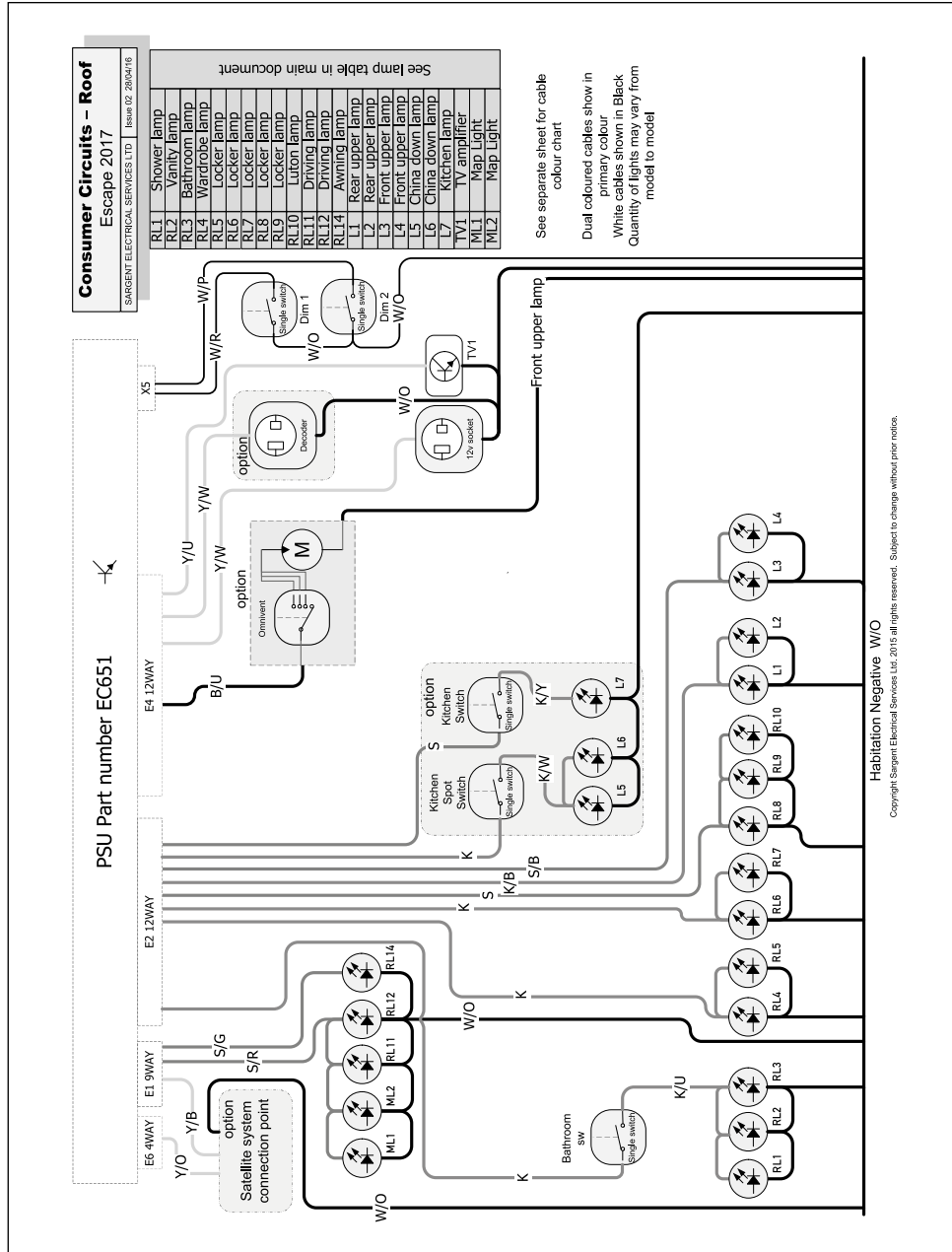
Jacking Points for Escape 674, 684, 685, 694 & 695: ▲

## Escape - Road lighting circuits

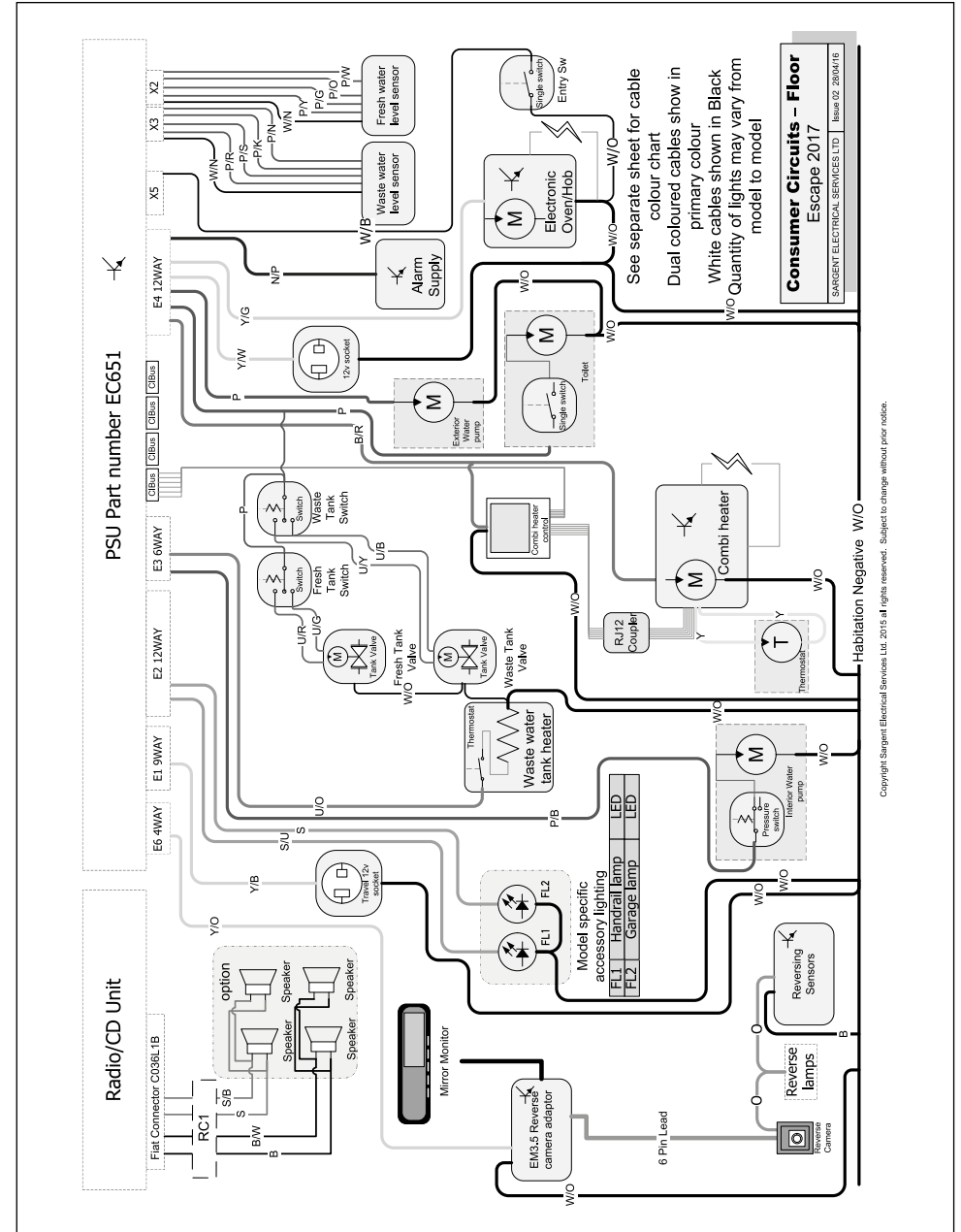




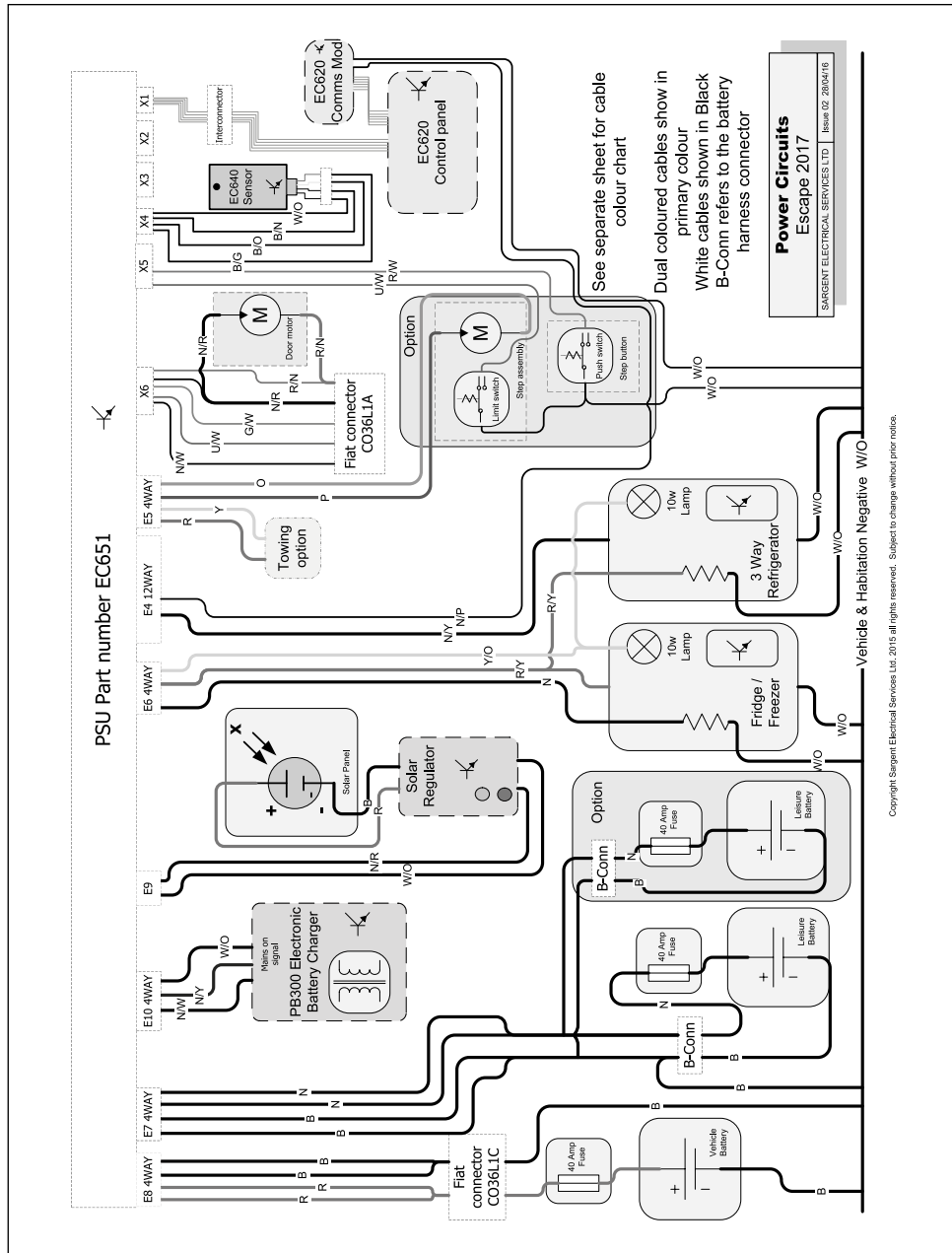
## Escape - Roof lighting circuits



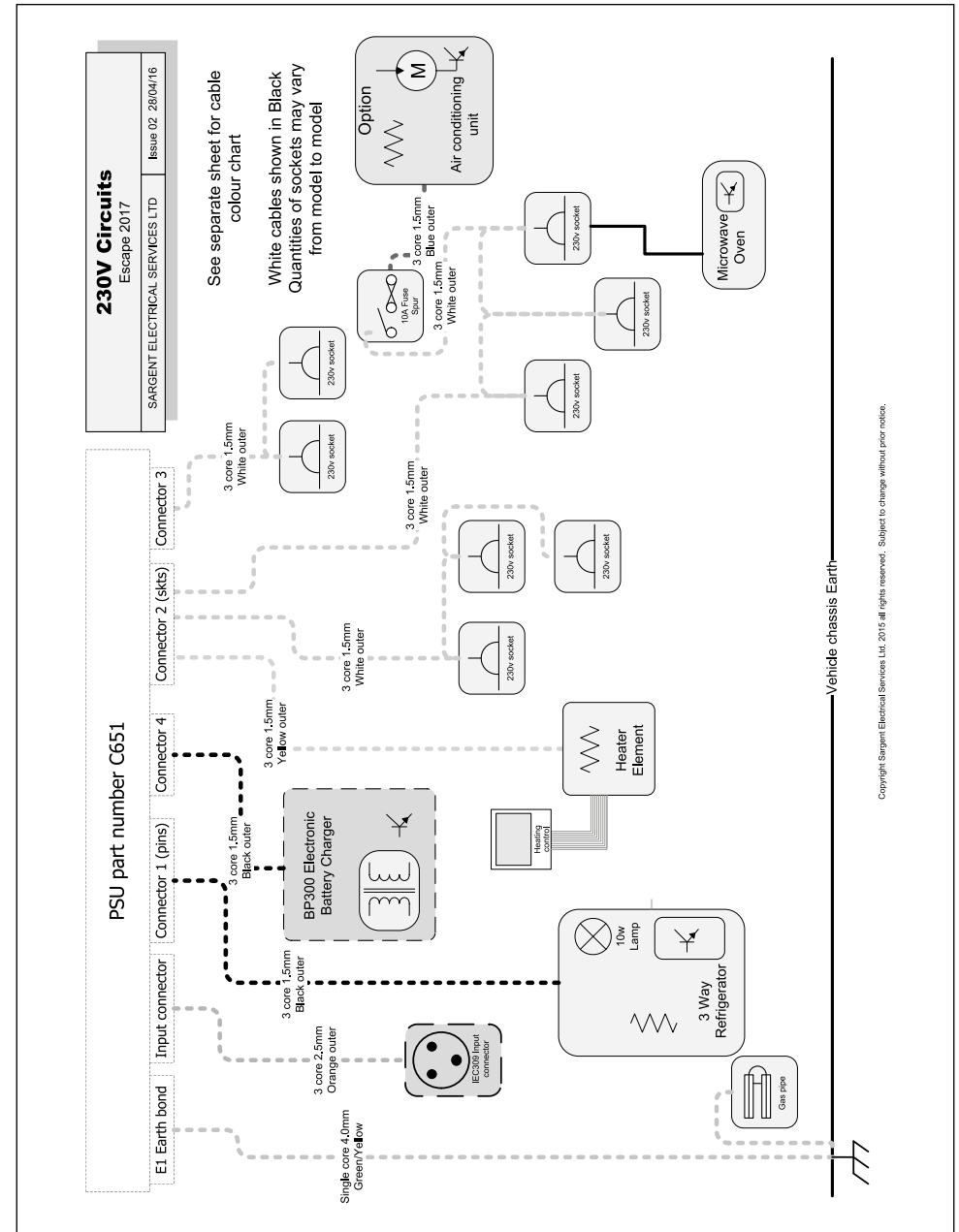
## Escape - Consumer Circuits - Floor circuits



## Escape - Power circuits



## Escape - 230V



## Escape - Cable Colour Chart

**Cable Colour Chart**  
Swift Group

SARGENT ELECTRICAL SERVICES LTD Issue 01 25/04/16

**Y/U**  
Yellow cable with Blue stripe

**12v Cable Colours**

B	BLACK
N	BROWN
R	RED
O	ORANGE
Y	YELLOW
G	GREEN
U	BLUE
P	PURPLE
S	SLATE GREY
W	WHITE
K	PINK

**230v Cable Colours**

B	BLACK
N	BROWN
W	WHITE
O	ORANGE
Y	YELLOW
G	GREEN
U	BLUE

Copyright Sargent Electrical Services Ltd. 2016 all rights reserved. Subject to change without prior notice.

Road Lights		
Application	Bulb or Lamp Reference	Type or Wattage
Front marker lamp - Britax	L98.00.12v & L98.01.12v	LED
Rear high level marker lamp - Britax	L99.02.12V	LED
High level stop lamp - Britax	L102.00.L12V	LED
Number plate lamp - Britax	L104.00.L12V	LED
Rear lamp multi function cluster - Britax	L79.00.12v (LH) & L79.01.12v (RH)	LED
Application	Bulb or Lamp Reference	Type or Wattage
Locker spotlight	FEM1555	LED
China locker base lamp, switched, recessed	FEM1374	LED
Over locker / high level strip lamps	FEM1214 (Cut to length strip)	LED
Upper bed/luton lamp, switched, recessed	FEM1374	LED
Garage area lamp, switched, surface mount	FEM1373	LED
Awning lamp	L101-00-L12V	LED
Step well lamp	Complete stepwell light w/Swift logo	LED

Note: Not all lights feature on all models within a range

## Replacement instructions

### ESCAPE ROAD LIGHTING, COACH-BUILT BODY MOUNTED LAMPS

#### REAR LIGHT CLUSTERS (CONTAINING INDICATOR, TAIL / STOP, REVERSE AND FOG LAMPS)

- These multi-function lights are LED and have no user serviceable parts inside.
- Replacement clusters can be fitted in the following way:
- Remove three screws visible around the perimeter of the cluster
- Pull the cluster away from the rear panel of the tourer, taking care to not put excessive strain on the electrical connections behind the lamp
- Unplug the electrical connection from the rear of the lamp, by releasing the tab and lifting the connector upwards relative to the cluster
- Plug the connector back into the replacement lamp, position the lamp into the recess and replace the three fixing screws.

#### NUMBER PLATE LAMPS, LED

- These lamps are LED and have no user serviceable parts inside.
- Replacements should be undertaken by your dealer, as the lamps are sealed onto the mounting panel.

#### HIGH LEVEL BRAKE LAMP

- These lamps are LED and have no user serviceable parts inside.
- Replacements should be undertaken by your dealer, as the lamps are sealed onto the mounting panel.

### FRONT AND REAR UPPER MARKER / POSITION LAMPS

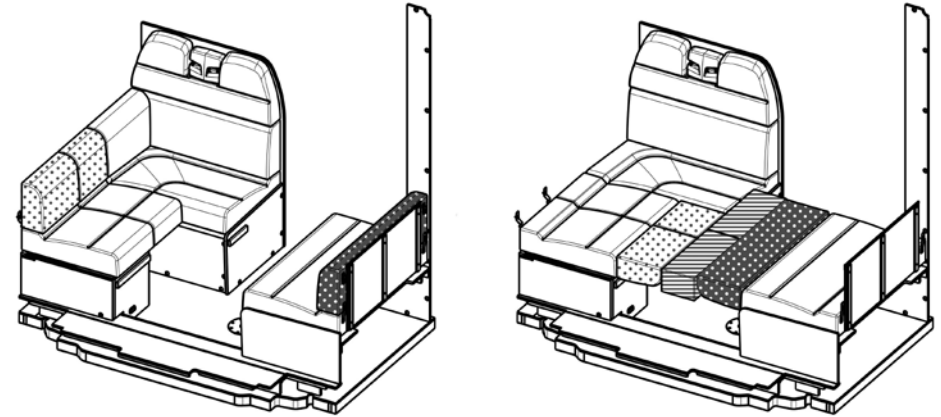
- These lamps are LED and have no user serviceable parts inside.
- Replacements should be undertaken by your dealer, as the lamps are sealed onto the mounting panel.

### SIDE MARKER / POSITION LAMPS

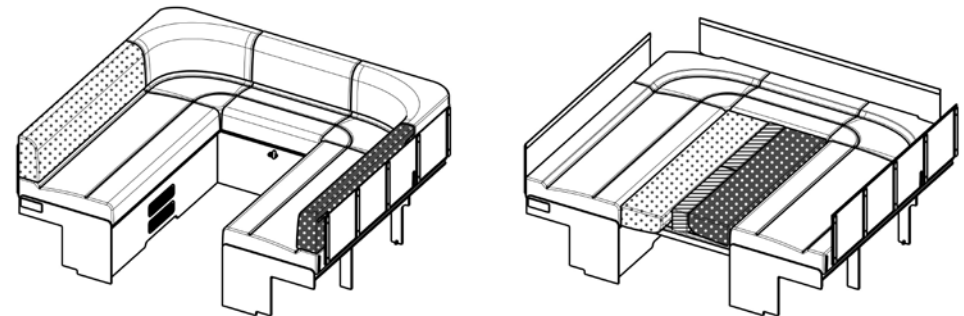
- These lamps are LED and have no user serviceable parts inside.
- Replacements should be undertaken by your dealer, as the lamps are sealed onto the mounting panel.

## Bed Make Up Guide

### Bed make up in Escape 614, 674, 684 & 694 front bed

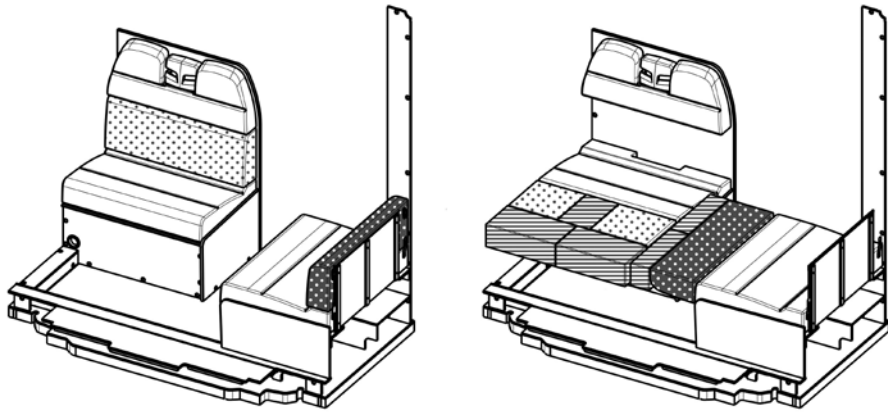


### Bed make up in Escape 622 rear bed

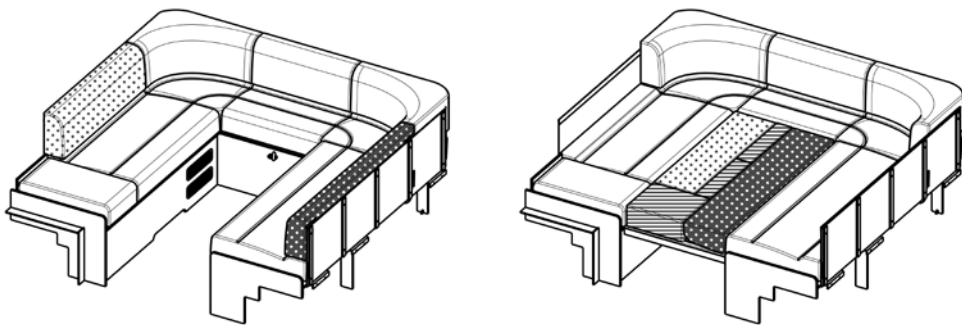


## Bed Make Up Guide

Bed make up in Escape 664 front bed

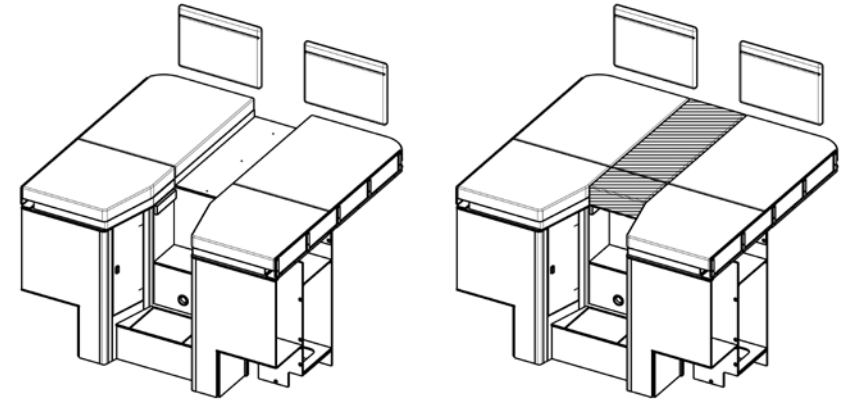


Bed make up in Escape 674 rear bed

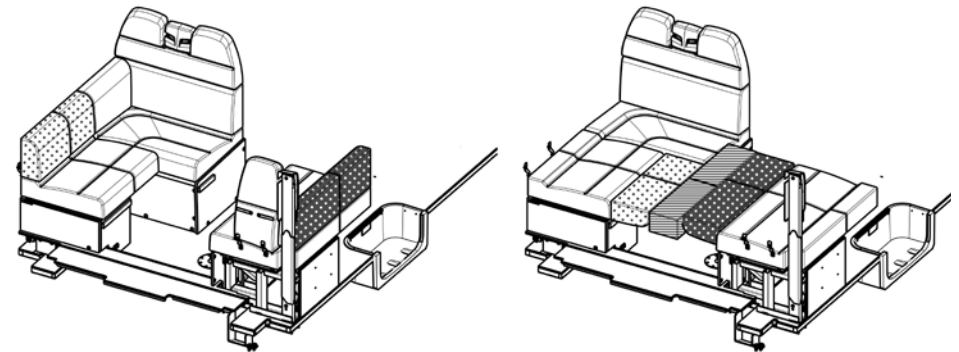


## Bed Make Up Guide

Bed make up in Escape 684 rear bed



Bed make up in Escape 685 & 695 front bed



## Bed Make Up Guide

### Bed make up in Escape 685 rear bed

