



Swift Group
Dunswell Road
Cottingham
East Yorkshire HU16 4JX
Tel **01482 847332**
Fax **01482 841042**
email enquiry@swiftgroup.co.uk

For more information visit
www.swiftgroup.co.uk

Issued July 2014



Swift Rio

Technical Handbook



Specifications 2

Capacities 4

Towing Capabilities 6

Jacking 8

Wiring Diagrams 9

Bulb Chart 15

Bulb Replacement..... 16

Specifications

Model	Rio 320 Standard	Rio 320 Optional
Roof Profile	Low Line	Low Line
Engine	130 MJT	130 MJT AUTO
Engine Capacity	2287cc	2287cc
Max Power	96kW @ 3600rpm	96kW @ 3600rpm
Torque	320 @ 1800rpm	320 @ 1800rpm
Chassis	LWB Fiat Low Line Chassis	LWB Fiat Low Line Chassis
Wheel base	4.04m/13'3"	4.04m/13'3"
Designated Passenger Seats excluding Driver	1	
Berths (sleeping positions)	2	
Overall Length (no ladder)	6.40m/20'12"	
Overall Width (mirrors folded)	2.26m/7'5"	
Overall Height	2.78m/9'1"	
Maximum Technical Permissible Laden Mass (A)	3500kg	
Mass in Running Order (B)	2890kg*	2907kg*
Maximum User Payload (A-B)	610kg*	593kg*
Unladen Weight	2729kg*	2746kg*
Essential Habitation Equipment	10kg	
Thermal Insulation Grade	Three	
Bed Sizes		
Front Double		
Front Nearside Single		
Front Offside Single		
Rear Double	1.95m x 1.80m/6'5" x 5'11"	
Rear Nearside Single	1.80m x 0.70m/5'11" x 2'4"	
Rear Offside Single	1.84m x 0.70m/6'0" x 2'4"	
Overcab Bed		

Rio 340 Standard	Rio 340 Optional
Low Line	Low Line
130 MJT	130 MJT AUTO
2287cc	2287cc
96kW @ 3600rpm	96kW @ 3600rpm
320 @ 1800rpm	320 @ 1800rpm
LWB Fiat Low Line Chassis	LWB Fiat Low Line Chassis
4.04m/13'3"	4.04m/13'3"
3	
4	
6.40m/20'12"	
2.26m/7'5"	
2.78m/9'1"	
3500kg	
2965kg*	2982kg*
535kg*	518kg*
2804kg*	2821kg*
10kg	
Three	
1.94m x 1.26m/6'4" x 4'2"	
1.83m x 1.20m/6'0" x 3'11"	

NOTE: 1. The **Maximum User Payload** includes:

- a) the **conventional load** (this is the allowance for passengers)
- b) **essential habitation equipment** (items and fluids required for safe and proper functioning of habitation equipment)
- c) **optional equipment** (items available from the manufacturer over and above the standard specification)
- d) **personal effects** (those items not covered by the above)

2. The **Mass in Running Order** is the mass of the unladen vehicle including a 75kg allowance for the driver plus engine coolants and 90% of the fuel tank and 100% gas capacity. The MRO is calculated with the fresh water tank empty. If you travel with water in the fresh water tank then the payload will reduce accordingly.

3. PLEASE TAKE CARE TO ENSURE THAT YOU HAVE ALLOWED FOR THE MASSES OF ALL ITEMS YOU INTEND TO CARRY IN THE MOTOR CARAVAN, e.g. passengers, optional equipment, essential

habitation equipment and personal effects, such as clothing, food, pets, bicycles, sailboards, sports equipment etc.

4. **WARNING** - UNDER NO CIRCUMSTANCES SHOULD THE MAXIMUM TECHNICAL PERMISSIBLE LADEN MASS OF THIS MOTOR CARAVAN BE EXCEEDED.

* Estimated

Capacities

Water Tank Capacities

	Fresh Water Tank	Waste Water Tank	Water Heater
Rio	90 litre	68 litre	10 litre

Gas Capacities

	Capacity
Rio	2 x 7kg

The above are recommended gas bottle sizes

NOTICE : For technical data on the base vehicle please refer to manufacturer's handbook

Towing Capabilities

Rio Towing Capabilities

Model	Engine / Chassis
Rio 320	130MJT (2.3L)
Rio 320	130MJT (2.3L) AUTO
Rio 340	130MJT (2.3L)
Rio 340	130MJT (2.3L) AUTO

MTPLM	Permissible Front Axle Load	Permissible Rear Axle Load	Recommended Maximum Trailer Weight	Gross Train Weight
3500kg	1850kg	2000kg	2000kg	5500kg
3500kg	1850kg	2000kg	2000kg	5500kg
3500kg	1850kg	2000kg	2000kg	5500kg
3500kg	1850kg	2000kg	2000kg	5500kg

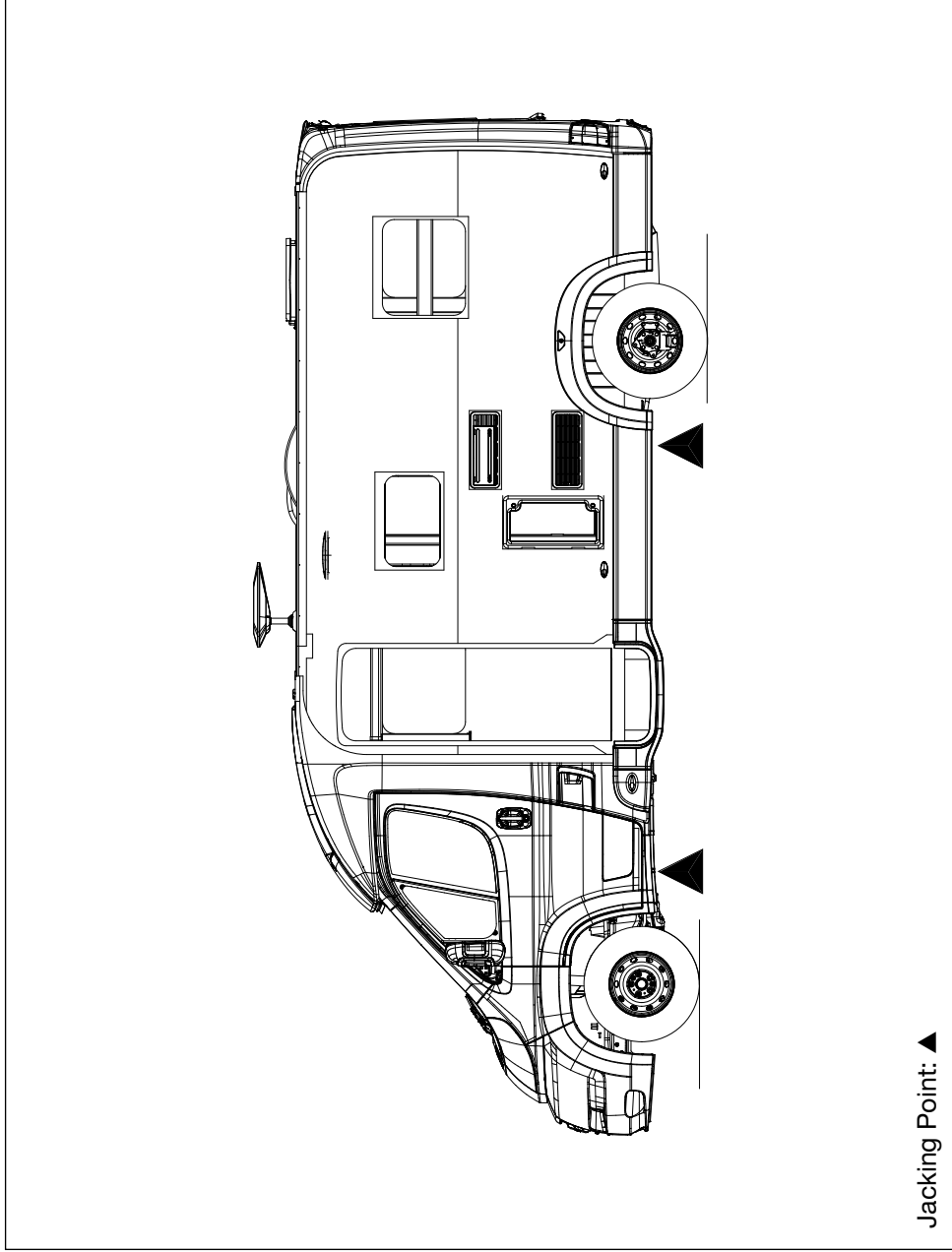
CAUTION: When fitting a towbar, it must meet certain minimum requirements as specified by Type Approval Regulations. The bar will have marked on it the approval standard (94/20/EC or 55RECE) and the maximum download, or noseweight, that it can accept. It must fit the manufacturer's approved mounting points and must not obscure the towing vehicle's number plate.

Please note that the additional weight of the tow bar and trailer nose weight increases the rear axle loading of the motor home so care should be taken that the rear axle load is not exceeded when towing.

Care must be taken when distributing loads. The loadings and weights above are maximums and must not be exceeded under any circumstances.

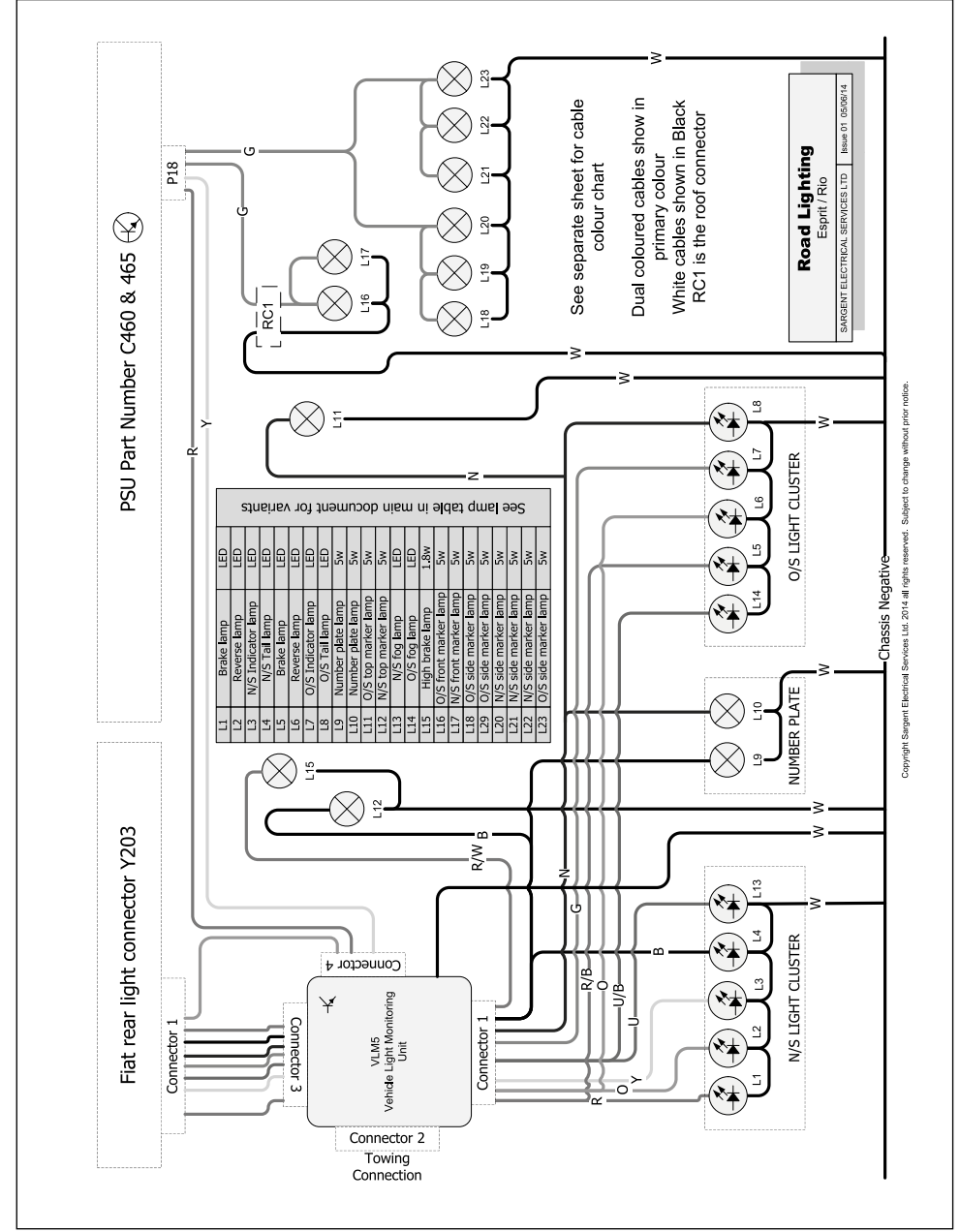
To ensure adequate road holding, the load on the front axle, under all conditions, must not be less than 40% or more than 70% of the total weight.

Rio

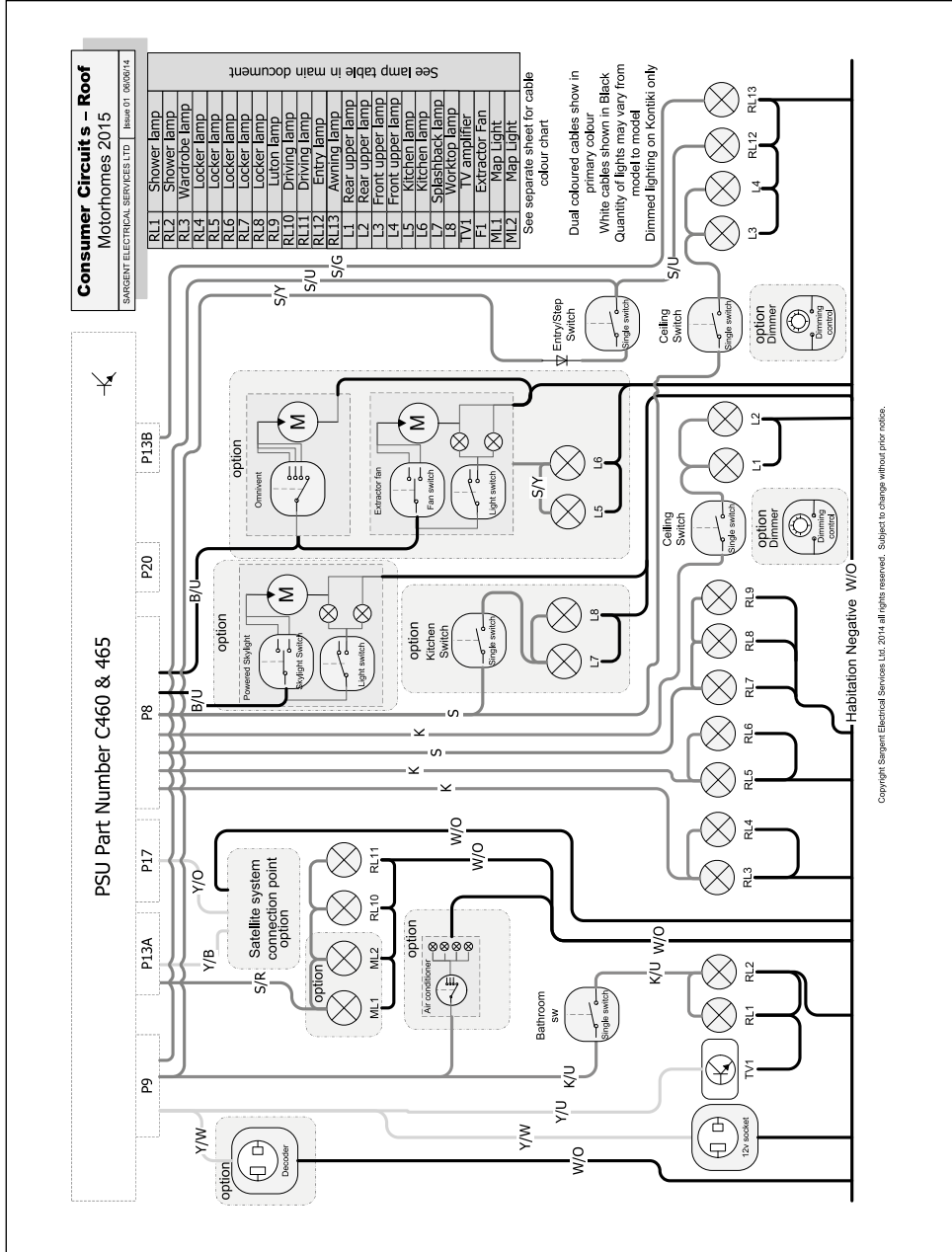


Jacking Point: ▲

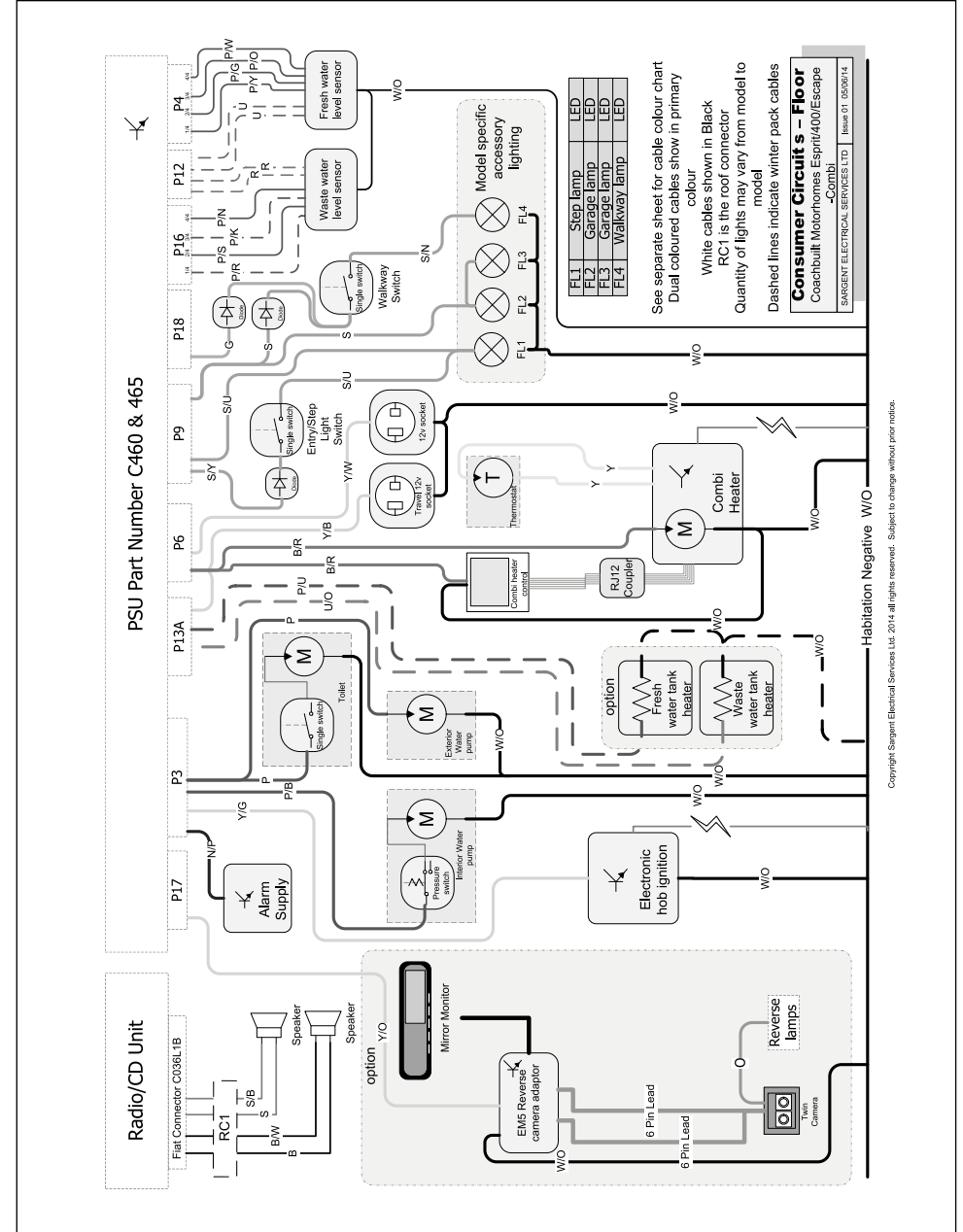
Rio - Road lighting circuits



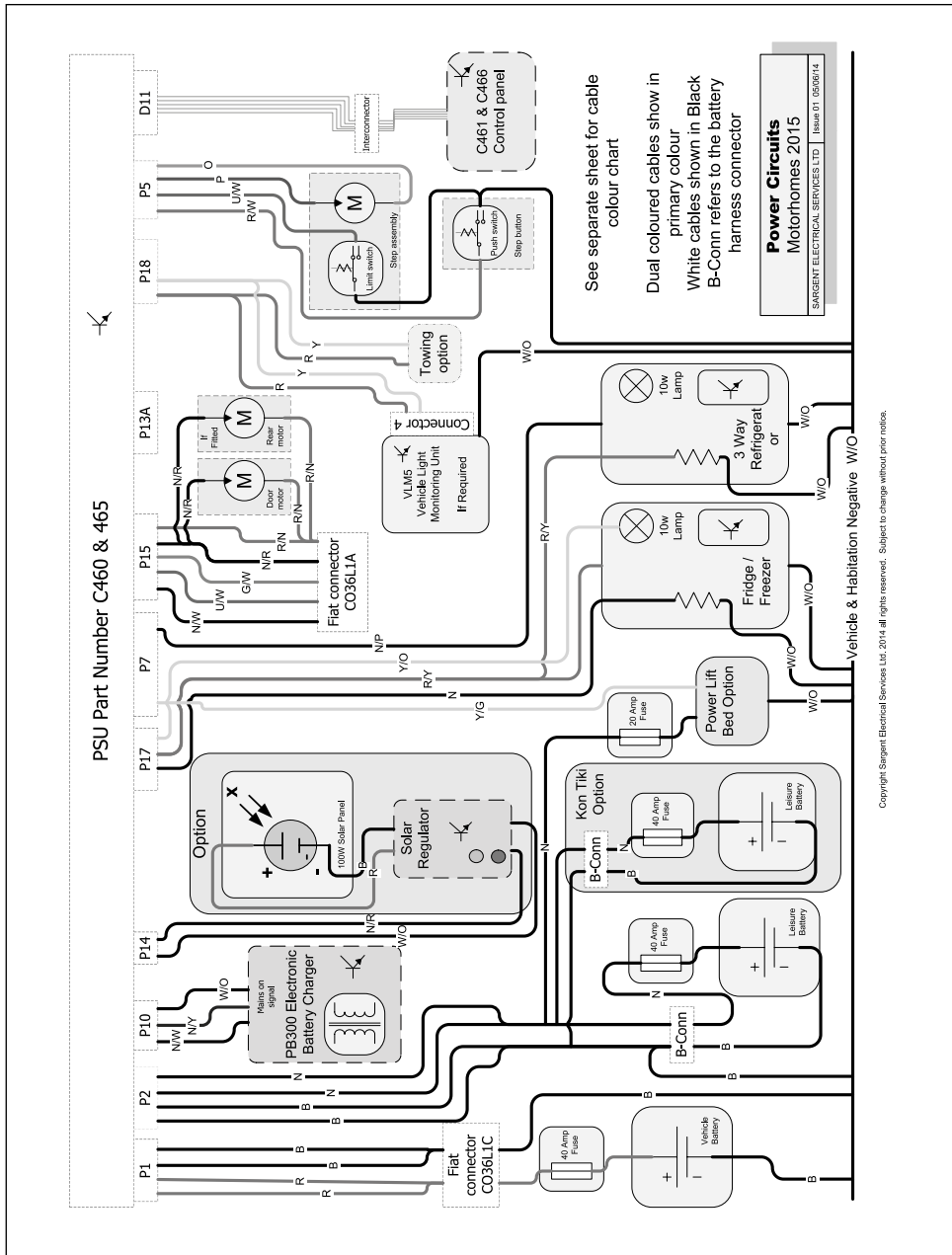
Rio - Roof lighting circuits



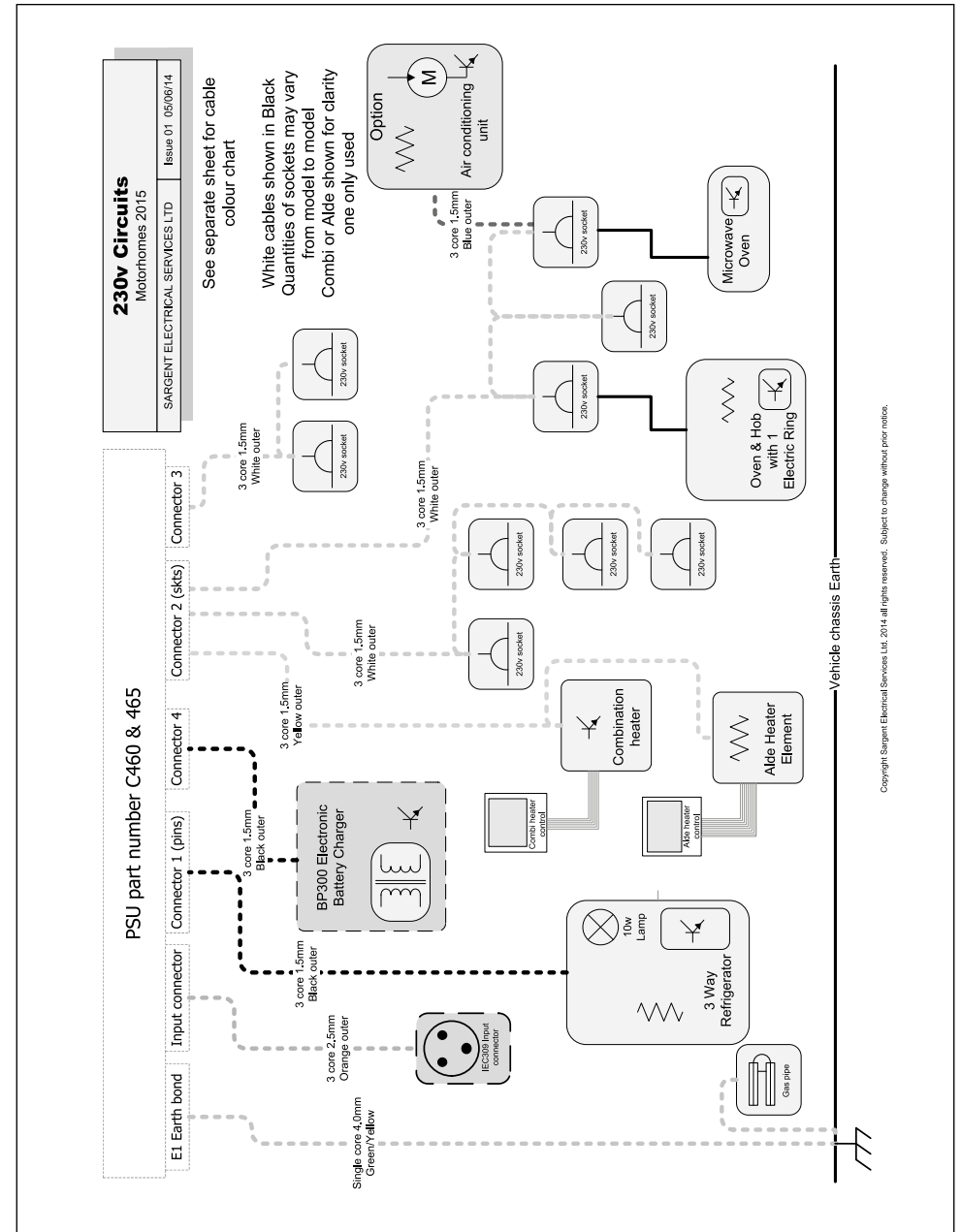
Rio - Consumer Circuits - Floor circuits



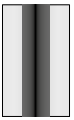
Rio - Power circuits



Rio - 230v with combi heating



Rio - Cable Colour Chart



Y/U
Yellow cable with Blue stripe

Example

Cable Colour Chart

Swift Group

SARGENT ELECTRICAL SERVICES LTD Issue: 01 01/09/08

12v Cable Colours	
B	BLACK
N	BROWN
R	RED
O	ORANGE
Y	YELLOW
G	GREEN
U	BLUE
P	PURPLE
S	SLATE GREY
W	WHITE
K	PINK

230v Cable Colours	
B	BLACK
N	BROWN
W	WHITE
O	ORANGE
Y	YELLOW
G	GREEN
U	BLUE

Copyright Sargent Electrical Services Ltd. 2014. All rights reserved. Subject to change without prior notice.

Road Lights		
Application	Bulb Reference	Bulb Rating
Front marker light	LED complete unit - Britax L98.00.12v & L98.01.12v	12v LED
Side marker light	W5W / Britax LED	12v 5w / 12v LED
Rear high level marker light	LED complete unit - Cobo / Britax	12v LED
High level stop lamp	LED complete unit - Hella 2DA343800057	12v LED
Rear light cluster (Multi function)	Britax L79.00.12v (LH) & L79.01.12v (RH)	12v LED
Number plate light	C5W	12v 5w
Application	Bulb Reference	Bulb Rating
Locker spotlights, LED with dimmer	LED complete lamp FEM1168	12v LED
China locker light	CCFL Complete lamp	12v 4.5w CCFL
B-pillar map reading lamps	LED Complete lamp on 'swan neck' flexible arm	12v LED
Over locker / high level furniture lights	Flexible LED light strip (cut to length) FEM1214	12v LED
Illuminated panel backlighting	Flexible LED light strip (cut to length) FEM1214	12v LED
Downlights	LED complete lamp FEM01189	12v LED
Walkway low level lights	LED complete lamp FEM0993	12v LED
Awning lamp, LED	LED complete lamp FEM0945	12v LED
Step well light	LED complete lamp	12v LED

Note: Not all lights feature on all models within a range

Bulb replacement

RIO ROAD LIGHTING, COACH-BUILT BODY MOUNTED LAMPS

REAR LIGHT CLUSTERS (CONTAINING INDICATOR, TAIL / STOP, REVERSE AND FOG LAMPS)

These multi-function lights are LED and have no user serviceable parts inside.

Replacement clusters can be fitted in the following way:

Remove three screws visible around the perimeter of the cluster

Pull the cluster away from the rear panel of the tourer, taking care to not put excessive strain on the electrical connections behind the lamp

Unplug the electrical connection from the rear of the lamp, by releasing the tab and lifting the connector upwards relative to the cluster

Plug the connector back into the replacement lamp, position the lamp into the recess and replace the three fixing screws.

HIGH LEVEL BRAKE LAMP

These lamps are LED and have no user serviceable parts inside.

Replacements should be undertaken by your dealer, as the lamps are sealed onto the mounting panel.

FRONT AND REAR UPPER MARKER / POSITION LAMPS

These lamps are LED and have no user serviceable parts inside.

Replacements should be undertaken by your dealer, as the lamps are sealed onto the mounting panel.

SIDE MARKER / POSITION LAMPS

These lamps are LED and have no user serviceable parts inside.

Replacements should be undertaken by your dealer, as the lamps are sealed onto the mounting panel.