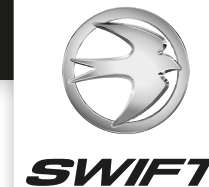


CREATING SMILES FOR LIFE



CREATING SMILES FOR LIFE



SWIFT GROUP

Dunswell Road
Cottingham
East Yorkshire
HU16 4JX

Tel: 01482 875740
Fax: 01482 840082
Email: enquiry@swiftgroup.co.uk

Swift Group Technical Handbook

Touring Caravans

FIND OUT MORE AT SWIFTGROUP.CO.UK



Brochure



Layouts



Dealer



Video



Social

Issued August 2018
Part No. 1433207



Sprite Specification	2
Sprite Super Specification.....	4
Challenger / Eccles Alde Specification	6
Challenger Truma Specification.....	8
Elegance Specification.....	10
Elegance Grande Specification	12
Wiring Diagrams	14
13 Pin Socket	20
Cable Colours.....	21
Bulb Replacement.....	22
Dealer Special models based on Sprite	24
Dealer Special models based on Sprite Super	26
Dealer Special models based on Eccles / Challenger with Alde.....	28
Dealer Special models based on Challenger with Truma.....	30
Dealer Special models based on Elegance.....	32
Dealer Special models based on Elegance Grande.....	34
Bed make-ups.....	36

Sprite Specification

Sprite	Alpine 2	Alpine 4	Major 4 SB	Major 4 EB
Berths	2	4	4	4
Axles	1	1	1	1
Internal Length (bed box height)	4.34m/14'3"	4.74m/15'7"	5.83m/19'2"	5.83m/19'2"
Overall Width**	2.25m/7'5"	2.25m/7'5"	2.25m/7'5"	2.25m/7'5"
Overall Height (inc. TV Aerial)**	2.59m/8'6"	2.59m/8'6"	2.59m/8'6"	2.59m/8'6"
Maximum Internal Headroom	1.95m/6'5"	1.95m/6'5"	1.95m/6'5"	1.95m/6'5"
Overall Length**	6.05m/19'10"	6.45m/21'2"	7.54m/24'9"	7.54m/24'9"
Awning A/A dimension	8.59m/28'2"	8.99m/29'6"	10.08m/33'1"	10.08m/33'1"
Mass in Running Order (inc. tolerance)	1042kg/20.5cwt	1094kg/21.5cwt	1236kg/24.3cwt	1275kg/25.1cwt
Maximum Technical Permissible Laden Mass (Lower limit)	1208kg/23.8cwt	1284kg/25.3cwt	1437kg/28.3cwt	1476kg/29.1cwt
Maximum Technical Permissible Laden Mass (Upper limit)	1250kg/24.6cwt	1300kg/25.6cwt	1500kg/29.5cwt	1500kg/29.5cwt
Total user Payload	166kg/3.3cwt	190kg/3.7cwt	201kg/4.0cwt	201kg/4.0cwt
Personal Effects	121kg/2.4cwt	145kg/2.9cwt	156kg/3.1cwt	156kg/3.1cwt
Options	45kg/0.9cwt	45kg/0.9cwt	45kg/0.9cwt	45kg/0.9cwt
Tyre Size	185 R14C 102Q	185 R14C 102Q	185 R14C 102Q	185 R14C 102Q
Tyre pressure at Lower limit MTPLM	3.4 bar / 49 psi	3.6 bar / 52 psi	4.2 bar / 61 psi	4.3 bar / 62 psi
Tyre pressure at Upper limit MTPLM	3.5 bar / 51 psi	3.7 bar / 54 psi	4.4 bar / 64 psi	4.4 bar / 64 psi
Static Load on Coupling Head	100kg	100kg	100kg	100kg
Thermal Insulation Grade	THREE	THREE	THREE	THREE
Bed Sizes				
Front Double	202cm x 180cm/6'8" x 5'11"	202cm x 128cm/6'8" x 4'2"	202cm x 159cm/6'8" x 5'3"	202cm x 159cm/6'8" x 5'3"
or Front Nearside Single	190cm x 72cm/6'3" x 2'4"		159cm x 72cm/5'3" x 2'4"	159cm x 72cm/5'3" x 2'4"
and Front Offside Single	180cm x 72cm/5'11" x 2'4"		159cm x 72cm/5'3" x 2'4"	159cm x 72cm/5'3" x 2'4"
Rear Double		189cm x 132cm/6'2" x 4'4"	185cm x 133cm/6'1" x 4'4"	190cm x 133cm/6'3" x 4'4"
Side Single (offside)				
Side Single (nearside)				
Side Bunk (offside)				
Side Bunk (nearside)				
Side Fixed Lower Bunk				
Side Fixed Upper Bunk				

Masses: The masses are calculated in accordance to EU regulation 1230/2012 and NCC code of practice 304.

The Mass in Running Order (MRO) comprises:

1. The mass of the empty caravan as supplied by Swift including loose items such as the hook-up cable, kit bag, entrance step, manuals etc.
2. 10kg allowance for LPG

The MRO is calculated with the fresh water tank, toilet flush tank and water heater empty. If you travel with water in the fresh water tank, toilet flush tank and the water heater the payload will reduce accordingly.

The personal effects is based on the number of berths and the length of the caravan and includes an allowance of 20kg for a leisure battery.

The Maximum Technical Laden Mass (MTPLM) is the maximum mass allowed when the caravan is fully laden.

WARNING: Under no circumstances should the MTPLM be exceeded

Major 6	Major 6 TD	Quattro EW	Quattro FB	Quattro DD	Quattro EB
6	6	6	6	6	4
1	1	2	2	2	2
5.60m/18'4"	5.83m/19'2"	6.27m/20'7"	6.27m/20'7"	6.27m/20'7"	6.27m/20'7"
2.25m/7'5"	2.25m/7'5"	2.25m/7'5"	2.25m/7'5"	2.25m/7'5"	2.25m/7'5"
2.59m/8'6"	2.59m/8'6"	2.59m/8'6"	2.59m/8'6"	2.59m/8'6"	2.59m/8'6"
1.95m/6'5"	1.95m/6'5"	1.95m/6'5"	1.95m/6'5"	1.95m/6'5"	1.95m/6'5"
7.31m/24'0"	7.54m/24'9"	7.98m/26'2"	7.98m/26'2"	7.98m/26'2"	7.98m/26'2"
9.85m/32'4"	10.08m/33'1"	10.52m/34'6"	10.52m/34'6"	10.52m/34'6"	10.52m/34'6"
1249kg/24.6cwt	1297kg/25.5cwt	1380kg/27.2cwt	1395kg/27.5cwt	1453kg/28.6cwt	1419kg/27.9cwt
1468kg/28.9cwt	1518kg/29.9cwt	1605kg/31.6cwt	1620kg/31.9cwt	1678kg/33.0cwt	1624kg/32.0cwt
1500kg/29.5cwt	1550kg/30.5cwt	1800kg/35.4cwt	1800kg/35.4cwt	1800kg/35.4cwt	1800kg/35.4cwt
219kg/4.3cwt	221kg/4.4cwt	225kg/4.4cwt	225kg/4.4cwt	225kg/4.4cwt	205kg/4.0cwt
174kg/3.4cwt	176kg/3.5cwt	180kg/3.5cwt	180kg/3.5cwt	180kg/3.5cwt	160kg/3.1cwt
45kg/0.9cwt	45kg/0.9cwt	45kg/0.9cwt	45kg/0.9cwt	45kg/0.9cwt	45kg/0.9cwt
185 R14C 102Q	185 R14C 102Q	185/70 R14 88T	185/70 R14 88T	185/70 R14 88T	185/70 R14 88T
4.3 bar / 62 psi	4.4 bar / 64 psi	2.0 bar / 29 psi	2.0 bar / 29 psi	2.0 bar / 29 psi	2.0 bar / 29 psi
4.4 bar / 64 psi	4.5 bar / 65 psi	2.2 bar / 32 psi	2.2 bar / 32 psi	2.2 bar / 32 psi	2.2 bar / 32 psi
100kg	100kg	100kg	100kg	100kg	100kg
THREE	THREE	THREE	THREE	THREE	THREE
Bed Sizes					
202cm x 170cm/6'8" x 5'7"	202cm x 180cm/6'8" x 5'11"	206cm x 134cm/6'9" x 4'5"	202cm x 180cm/6'8" x 5'11"	202cm x 180cm/6'8" x 5'11"	202cm x 159cm/6'8" x 5'3"
	190cm x 72cm/6'3" x 2'4"		180cm x 72cm/5'11" x 2'4"	190cm x 72cm/6'3" x 2'4"	159cm x 72cm/5'3" x 2'4"
	180cm x 72cm/5'11" x 2'4"		190cm x 72cm/6'3" x 2'4"	180cm x 72cm/5'11" x 2'4"	159cm x 72cm/5'3" x 2'4"
		194cm x 132cm/6'4" x 4'4"	192cm x 132cm/6'4" x 4'4"	185cm x 132cm/6'1" x 4'3"	185cm x 133cm/6'1" x 4'4"
180cm x 83cm/5'11" x 2'9"		180cm x 62cm/5'11" x 2'0"	180cm x 62cm/5'11" x 2'0"	185cm x 64cm/6'1" x 2'1"	
	180cm x 67cm/5'11" x 2'2"			175cm x 64cm/5'7" x 2'1"	
176cm x 59cm/5'9" x 1'11"		176cm x 59cm/5'9" x 1'11"	176cm x 59cm/5'9" x 1'11"	173cm x 59cm/5'8" x 1'11"	
	176cm x 59cm/5'9" x 1'11"			163cm x 59cm/5'4" x 1'11"	
183cm x 57cm/6'0" x 1'10"	183cm x 57cm/6'0" x 1'10"				
183cm x 57cm/6'0" x 1'10"	183cm x 57cm/6'0" x 1'10"				

Bed Sizes: Please note that the front double bed sizes quoted are for seating configurations without chest of drawers. The front double bed width for a layout with a chest of drawers fitted will be reduced by 0.4m(1'4") from that stated.

Awning sizes: Due to the varying awning designs and sizes the awning sizes given are approximate only. Specific awning sizes must be confirmed by your dealer or the awning manufacturer prior to purchase.

*Estimated weight or bed size

**The dimensions given are approximate due to slight variations in suspension ride heights, loading conditions and tyre pressures.

Customers should verify the actual dimensions of their touring caravan before committing to anything that could be impacted by these dimensions

Please note: Any dealer fit options will reduce the overall payload available to the user of the caravan.

If you require additional payload it is possible to upgrade the MTPLM to the upper limit. Please contact your caravan dealer for more information.

Sprite Super Specification

Sprite	Sprite Super Quattro FB	Sprite Super Quattro DB
Berths	6	6
Axles	2	2
Internal Length (bed box height)	6.27m/20'7"	6.27m/20'7"
Overall Width**	2.46m/8'1"	2.46m/8'1"
Overall Height (inc. TV Aerial)**	2.59m/8'6"	2.59m/8'6"
Maximum Internal Headroom	1.95m/6'5"	1.95m/6'5"
Overall Length**	7.98m/26'2"	7.98m/26'2"
Awning A/A dimension	10.56m/34'8"	10.56m/34'8"
Mass in Running Order (inc. tolerance)	1479kg/29.1cwt	1486kg/29.3cwt
Maximum Technical Permissible Laden Mass (Lower limit)	1704kg/33.5cwt	1711kg/33.7cwt
Maximum Technical Permissible Laden Mass (Upper limit)	1800kg/35.4cwt	1800kg/35.4cwt
Total user Payload	225kg/4.4cwt	225kg/4.4cwt
Personal Effects	180kg/3.5cwt	180kg/3.5cwt
Options	45kg/0.9cwt	45kg/0.9cwt
Tyre Size	185/70 R14 88T	185/70 R14 88T
Tyre pressure at Lower limit MTPLM	2.0 bar / 29 psi	2.1 bar / 30 psi
Tyre pressure at Upper limit MTPLM	2.2 bar / 32 psi	2.2 bar / 32 psi
Static Load on Coupling Head	100kg	100kg
Thermal Insulation Grade	THREE	THREE
Bed Sizes		
Front Double	225cm x 180cm/7'4" x 5'11"	225cm x 180cm/7'4" x 5'11"
or Front Nearside Single and Front Offside Single	180cm x 73cm/5'11" x 2'5"	180cm x 73cm/5'11" x 2'5"
Rear Double	196cm x 135cm/6'5" x 4'5"	
Side Double (offside)	190cm x 134cm/6'3" x 4'5"	190cm x 134cm/6'3" x 4'5"
Side Fixed Lower Bunk		182cm x 72cm/6'0" x 2'4"
Side Fixed Upper Bunk		182cm x 72cm/6'0" x 2'4"

Masses: The masses are calculated in accordance to EU regulation 1230/2012 and NCC code of practice 304.

The Mass in Running Order (MRO) comprises:

1. The mass of the empty caravan as supplied by Swift including loose items such as the hook-up cable, kit bag, entrance step, manuals etc.
2. 10kg allowance for LPG

The MRO is calculated with the fresh water tank, toilet flush tank and water heater empty. If you travel with water in the fresh water tank, toilet flush tank and the water heater the payload will reduce accordingly.

The personal effects is based on the number of berths and the length of the caravan and includes an allowance of 20kg for a leisure battery.

The Maximum Technical Laden Mass (MTPLM) is the maximum mass allowed when the caravan is fully laden.

WARNING: Under no circumstances should the MTPLM be exceeded

Bed Sizes : Please note that the front double bed sizes quoted are for seating configurations without chest of drawers. The front double bed width for a layout with a chest of drawers fitted will be reduced by 0.4m(1'4") from that stated.

Awning sizes: Due to the varying awning designs and sizes the awning sizes given are approximate only. Specific awning sizes must be confirmed by your dealer or the awning manufacturer prior to purchase.

*Estimated weight or bed size

**The dimensions given are approximate due to slight variations in suspension ride heights, loading conditions and tyre pressures.

Customers should verify the actual dimensions of their touring caravan before committing to anything that could be impacted by these dimensions

Please note: Any dealer fit options will reduce the overall payload available to the user of the caravan.

If you require additional payload it is possible to upgrade the MTPLM to the upper limit. Please contact your caravan dealer for more information.

Challenger / Eccles Specification (Alde)

Challenger (Alde heating)	Challenger 480	Challenger 530	Challenger 560	Challenger 565
Eccles (Alde heating)	Eccle 480	Eccles 530	Eccles 560	
Berths	2	4	4	4
Axles	1	1	1	1
Internal Length (bed box height)	4.95m/16'3"	5.29m/17'4"	5.83m/19'2"	5.60m/18'4"
Overall Width**	2.23m/7'4"	2.23m/7'4"	2.23m/7'4"	2.23m/7'4"
Overall Height (inc. TV Aerial)**	2.61m/8'7"	2.61m/8'7"	2.61m/8'7"	2.61m/8'7"
Maximum Internal Headroom	1.95m/6'5"	1.95m/6'5"	1.95m/6'5"	1.95m/6'5"
Overall Length**	6.66m/21'10"	7.00m/23'0"	7.54m/24'9"	7.31m/24'0"
Awning A/A dimension	9.32m/30'7"	9.66m/31'8"	10.20m/33'6"	9.97m/32'9"
Mass in Running Order (inc. tolerance)	1252kg/24.6cwt	1320kg/26.0cwt	1389kg/27.3cwt	1357kg/26.7cwt
Maximum Technical Permissible Laden Mass (Lower limit)	1384kg/27.2cwt	1476kg/29.1cwt	1550kg/30.5cwt	1516kg/29.8cwt
Maximum Technical Permissible Laden Mass (Upper limit)	1500kg/29.5cwt	1500kg/29.5cwt	1550kg/30.5cwt	1550kg/30.5cwt
Total user Payload	132kg/2.6cwt	156kg/3.1cwt	161kg/3.2cwt	159kg/3.1cwt
Personal Effects	127kg/2.5cwt	151kg/3.0cwt	156kg/3.1cwt	154kg/3.0cwt
Options	5.0kg/0.1cwt	5.0kg/0.1cwt	5.0kg/0.1cwt	5.0kg/0.1cwt
Tyre Size	185 R14C 102Q	185 R14C 102Q	185 R14C 102Q	185 R14C 102Q
Tyre pressure at Lower limit MTPLM	4.0 bar / 58 psi	4.3 bar / 62 psi	4.5 bar / 65 psi	4.4 bar / 64 psi
Tyre pressure at Upper limit MTPLM	4.4 bar / 64 psi	4.4 bar / 64 psi	4.5 bar / 65 psi	4.5 bar / 65 psi
Static Load on Coupling Head	100kg	100kg	100kg	100kg
Thermal Insulation Grade	THREE	THREE	THREE	THREE
Bed Sizes				
Front Double	202cm x 186cm/6'8" x 6'1"	202cm x 176cm/6'8" x 5'9"	202cm x 156cm/6'8" x 5'1"	202cm x 156cm/6'8" x 5'1"
or Front Nearside Single	196cm x 72cm/6'4" x 2'4"	176cm x 72cm/5'9" x 2'4"	156cm x 72cm/5'1" x 2'4"	156cm x 72cm/5'1" x 2'4"
and Front Offside Single	186cm x 72cm/6'1" x 2'4"	186cm x 72cm/6'1" x 2'4"	156cm x 72cm/5'1" x 2'4"	156cm x 72cm/5'1" x 2'4"
Rear Double			190cm x 133cm/6'3" x 4'4"	
Side Single (offside)		180cm x 62cm/5'11" x 2'0"		192cm x 68cm/6'4" x 2'3"
Side Single (nearside)				183cm x 73cm/6'0" x 2'5"
Side Bunk (offside)		176cm x 59cm/5'9" x 1'11"		
Side Bunk (nearside)				
Side Fixed Lower Bunk				
Side Fixed Upper Bunk				

Masses: The masses are calculated in accordance to EU regulation 1230/2012 and NCC code of practice 304.

The Mass in Running Order (MRO) comprises:

1. The mass of the empty caravan as supplied by Swift including loose items such as the hook-up cable, kit bag, entrance step, manuals etc.
2. 10kg allowance for LPG

The MRO is calculated with the fresh water tank, toilet flush tank and water heater empty. If you travel with water in the fresh water tank, toilet flush tank and the water heater the payload will reduce accordingly.

The personal effects is based on the number of berths and the length of the caravan and includes an allowance of 20kg for a leisure battery.

The Maximum Technical Laden Mass (MTPLM) is the maximum mass allowed when the caravan is fully laden.

WARNING: Under no circumstances should the MTPLM be exceeded

Challenger 580	Challenger 590	Challenger 635	Challenger 645	Challenger 650
Eccles 580	Eccles 590	Eccles 635	Eccles 645	Eccles 650
4	6	4	4	4
1	1	2	2	2
5.83m/19'2"	5.83m/19'2"	6.27m/20'7"	6.27m/20'7"	6.27m/20'7"
2.23m/7'4"	2.23m/7'4"	2.23m/7'4"	2.23m/7'4"	2.23m/7'4"
2.61m/8'7"	2.61m/8'7"	2.61m/8'7"	2.61m/8'7"	2.61m/8'7"
1.95m/6'5"	1.95m/6'5"	1.95m/6'5"	1.95m/6'5"	1.95m/6'5"
7.54m/24'9"	7.54m/24'9"	7.98m/26'2"	7.98m/26'2"	7.98m/26'2"
10.20m/33'6"	10.20m/33'6"	10.64m/34'11"	10.64m/34'11"	10.64m/34'11"
1362kg/26.8cwt	1445kg/28.4cwt	1550kg/30.5cwt	1516kg/29.8cwt	1539kg/30.3cwt
1523kg/30.0cwt	1626kg/32.0cwt	1715kg/33.8cwt	1681kg/33.1cwt	1704kg/33.5cwt
1550kg/30.5cwt	1650kg/32.5cwt	2000kg/39.4cwt	2000kg/39.4cwt	2000kg/39.4cwt
161kg/3.2cwt	181kg/3.6cwt	165kg/3.2cwt	165kg/3.2cwt	165kg/3.2cwt
156kg/3.1cwt	176kg/3.5cwt	160kg/3.1cwt	160kg/3.1cwt	160kg/3.1cwt
5.0kg/0.1cwt	5.0kg/0.1cwt	5.0kg/0.1cwt	5.0kg/0.1cwt	5.0kg/0.1cwt
185 R14C 102Q	195/70 R15C 104R	185/70 R14 88T	185/70 R14 88T	185/70 R14 88T
4.5 bar / 65 psi	4.5 bar / 65 psi	2.1 bar / 30 psi	2.0 bar / 29 psi	2.0 bar / 29 psi
4.5 bar / 65 psi	4.5 bar / 65 psi	2.5 bar / 36 psi	2.5 bar / 36 psi	2.5 bar / 36 psi
100kg	100kg	100kg	100kg	100kg
THREE	THREE	THREE	THREE	THREE
202cm x 156cm/6'8" x 5'1"	202cm x 176cm/6'8" x 5'9"	202cm x 156cm/6'8" x 5'1"	202cm x 156cm/6'8" x 5'1"	202cm x 156cm/6'8" x 5'1"
156cm x 72cm/5'1" x 2'4"	186cm x 72cm/6'1" x 2'4"	156cm x 72cm/5'1" x 2'4"	156cm x 72cm/5'1" x 2'4"	156cm x 72cm/5'1" x 2'4"
156cm x 72cm/5'1" x 2'4"	176cm x 72cm/5'9" x 2'4"	156cm x 72cm/5'1" x 2'4"	156cm x 72cm/5'1" x 2'4"	186cm x 72cm/6'1" x 2'4"
185cm x 133cm/6'1" x 4'4"		185cm x 133cm/6'1" x 4'4"	185cm x 133cm/6'1" x 4'4"	190cm x 133cm/6'3" x 4'4"
	178cm x 62cm/5'10" x 2'0"			
	169cm x 59cm/5'7" x 1'11"			
	181cm x 57cm/5'11" x 1'10"			
	181cm x 57cm/5'11" x 1'10"			

Bed Sizes : Please note that the front double bed sizes quoted are for seating configurations without chest of drawers. The front double bed width for a layout with a chest of drawers fitted will be reduced by 0.4m(1'4") from that stated.

Awning sizes: Due to the varying awning designs and sizes the awning sizes given are approximate only. Specific awning sizes must be confirmed by your dealer or the awning manufacturer prior to purchase.

*Estimated weight or bed size

**The dimensions given are approximate due to slight variations in suspension ride heights, loading conditions and tyre pressures.

Customers should verify the actual dimensions of their touring caravan before committing to anything that could be impacted by these dimensions

Please note: Any dealer fit options will reduce the overall payload available to the user of the caravan.

If you require additional payload it is possible to upgrade the MTPLM to the upper limit. Please contact your caravan dealer for more information.

Challenger Specification (Truma)

Challenger (Truma heating)	Challenger 480	Challenger 530	Challenger 560	Challenger 565
Berths	2	4	4	4
Axles	1	1	1	1
Internal Length (bed box height)	4.95m/16'3"	5.29m/17'4"	5.83m/19'2"	5.60m/18'4"
Overall Width**	2.23m/7'4"	2.23m/7'4"	2.23m/7'4"	2.23m/7'4"
Overall Height (inc. TV Aerial)**	2.61m/8'7"	2.61m/8'7"	2.61m/8'7"	2.61m/8'7"
Maximum Internal Headroom	1.95m/6'5"	1.95m/6'5"	1.95m/6'5"	1.95m/6'5"
Overall Length**	6.66m/21'10"	7.00m/23'0"	7.54m/24'9"	7.31m/24'0"
Awning A/A dimension	9.32m/30'7"	9.66m/31'8"	10.20m/33'6"	9.97m/32'9"
Mass in Running Order (inc. tolerance)	1235kg/24.3cwt	1306kg/25.7cwt	1368kg/26.9cwt	1333kg/26.2cwt
Maximum Technical Permissible Laden Mass (Lower limit)	1367kg/26.9cwt	1462kg/28.8cwt	1529kg/30.1cwt	1492kg/29.4cwt
Maximum Technical Permissible Laden Mass (Upper limit)	1500kg/29.5cwt	1500kg/29.5cwt	1550kg/30.5cwt	1500kg/29.5cwt
Total user Payload	132kg/2.6cwt	156kg/3.1cwt	161kg/3.2cwt	159kg/3.1cwt
Personal Effects	127kg/2.5cwt	151kg/3.0cwt	156kg/3.1cwt	154kg/3.0cwt
Options	5.0kg/0.1cwt	5.0kg/0.1cwt	5.0kg/0.1cwt	5.0kg/0.1cwt
Tyre Size	185 R14C 102Q	185 R14C 102Q	185 R14C 102Q	185 R14C 102Q
Tyre pressure at Lower limit MTPLM	3.9 bar / 57 psi	4.2 bar / 61 psi	4.5 bar / 65 psi	4.3 bar / 62 psi
Tyre pressure at Upper limit MTPLM	4.4 bar / 64 psi	4.4 bar / 64 psi	4.5 bar / 65 psi	4.4 bar / 64 psi
Static Load on Coupling Head	100kg	100kg	100kg	100kg
Thermal Insulation Grade	THREE	THREE	THREE	THREE
Bed Sizes				
Front Double	202cm x 186cm/6'8" x 6'1"	202cm x 176cm/6'8" x 5'9"	202cm x 156cm/6'8" x 5'1"	202cm x 156cm/6'8" x 5'1"
or Front Nearside Single	196cm x 72cm/6'4" x 2'4"	176cm x 72cm/5'9" x 2'4"	156cm x 72cm/5'1" x 2'4"	156cm x 72cm/5'1" x 2'4"
and Front Offside Single	186cm x 72cm/6'1" x 2'4"	186cm x 72cm/6'1" x 2'4"	156cm x 72cm/5'1" x 2'4"	156cm x 72cm/5'1" x 2'4"
Rear Double			190cm x 133cm/6'3" x 4'4"	
Side Single (offside)		180cm x 62cm/5'11" x 2'0"		192cm x 68cm/6'4" x 2'3"
Side Single (nearside)				183cm x 73cm/6'0" x 2'5"
Side Bunk (offside)		176cm x 59cm/5'9" x 1'11"		
Side Bunk (nearside)				
Side Fixed Lower Bunk				
Side Fixed Upper Bunk				

Masses: The masses are calculated in accordance to EU regulation 1230/2012 and NCC code of practice 304.

The Mass in Running Order (MRO) comprises:

1. The mass of the empty caravan as supplied by Swift including loose items such as the hook-up cable, kit bag, entrance step, manuals etc.
2. 10kg allowance for LPG

The MRO is calculated with the fresh water tank, toilet flush tank and water heater empty. If you travel with water in the fresh water tank, toilet flush tank and the water heater the payload will reduce accordingly.

The personal effects is based on the number of berths and the length of the caravan and includes an allowance of 20kg for a leisure battery.

The Maximum Technical Laden Mass (MTPLM) is the maximum mass allowed when the caravan is fully laden.

WARNING: Under no circumstances should the MTPLM be exceeded

Challenger 580	Challenger 590	Challenger 635	Challenger 645	Challenger 650
4	6	4	4	4
1	1	2	2	2
5.83m/19'2"	5.83m/19'2"	6.27m/20'7"	6.27m/20'7"	6.27m/20'7"
2.23m/7'4"	2.23m/7'4"	2.23m/7'4"	2.23m/7'4"	2.23m/7'4"
2.61m/8'7"	2.61m/8'7"	2.61m/8'7"	2.61m/8'7"	2.61m/8'7"
1.95m/6'5"	1.95m/6'5"	1.95m/6'5"	1.95m/6'5"	1.95m/6'5"
7.54m/24'9"	7.54m/24'9"	7.98m/26'2"	7.98m/26'2"	7.98m/26'2"
10.20m/33'6"	10.20m/33'6"	10.64m/34'11"	10.64m/34'11"	10.64m/34'11"
1339kg/26.4cwt	1419kg/27.9cwt	1524kg/30.0cwt	1496kg/29.4cwt	1531kg/30.1cwt
1500kg/29.5cwt	1600kg/31.5cwt	1689kg/33.2cwt	1661kg/32.7cwt	1696kg/33.4cwt
1500kg/29.5cwt	1600kg/31.5cwt	2000kg/39.4cwt	2000kg/39.4cwt	2000kg/39.4cwt
161kg/3.2cwt	181kg/3.6cwt	165kg/3.2cwt	165kg/3.2cwt	165kg/3.2cwt
156kg/3.1cwt	176kg/3.5cwt	160kg/3.1cwt	160kg/3.1cwt	160kg/3.1cwt
5.0kg/0.1cwt	5.0kg/0.1cwt	5.0kg/0.1cwt	5.0kg/0.1cwt	5.0kg/0.1cwt
185 R14C 102Q	195/70 R15C 104R	185/70 R14 88T	185/70 R14 88T	185/70 R14 88T
4.4 bar / 64 psi	4.4 bar / 64 psi	2.0 bar / 29 psi	2.0 bar / 29 psi	2.0 bar / 29 psi
4.4 bar / 64 psi	4.4 bar / 64 psi	2.5 bar / 36 psi	2.5 bar / 36 psi	2.5 bar / 36 psi
100kg	100kg	100kg	100kg	100kg
THREE	THREE	THREE	THREE	THREE
202cm x 156cm/6'8" x 5'1"	202cm x 176cm/6'8" x 5'9"	202cm x 156cm/6'8" x 5'1"	202cm x 156cm/6'8" x 5'1"	202cm x 156cm/6'8" x 5'1"
156cm x 72cm/5'1" x 2'4"	186cm x 72cm/6'1" x 2'4"	156cm x 72cm/5'1" x 2'4"	156cm x 72cm/5'1" x 2'4"	156cm x 72cm/5'1" x 2'4"
156cm x 72cm/5'1" x 2'4"	176cm x 72cm/5'9" x 2'4"	156cm x 72cm/5'1" x 2'4"	156cm x 72cm/5'1" x 2'4"	186cm x 72cm/6'1" x 2'4"
185cm x 133cm/6'1" x 4'4"		185cm x 133cm/6'1" x 4'4"	185cm x 133cm/6'1" x 4'4"	190cm x 133cm/6'3" x 4'4"
	178cm x 62cm/5'10" x 2'0"			
	169cm x 59cm/5'7" x 1'11"			
	181cm x 57cm/5'11" x 1'10"			
	181cm x 57cm/5'11" x 1'10"			

Bed Sizes : Please note that the front double bed sizes quoted are for seating configurations without chest of drawers. The front double bed width for a layout with a chest of drawers fitted will be reduced by 0.4m(1'4") from that stated.

Awning sizes: Due to the varying awning designs and sizes the awning sizes given are approximate only. Specific awning sizes must be confirmed by your dealer or the awning manufacturer prior to purchase.

*Estimated weight or bed size

**The dimensions given are approximate due to slight variations in suspension ride heights, loading conditions and tyre pressures.

Customers should verify the actual dimensions of their touring caravan before committing to anything that could be impacted by these dimensions

Please note: Any dealer fit options will reduce the overall payload available to the user of the caravan.

If you require additional payload it is possible to upgrade the MTPLM to the upper limit. Please contact your caravan dealer for more information.

Elegance Specification

Elegance	Elegance 480	Elegance 530	Elegance 560	Elegance 565
Berths	2	4	4	4
Axles	1	1	1	1
Internal Length (bed box height)	4.98m/16'4"	5.45m/17'11"	5.93m/19'5"	5.93m/19'5"
Overall Width*	2.28m/7'6"	2.28m/7'6"	2.28m/7'6"	2.28m/7'6"
Overall Height (inc. TV Aerial)*	2.59m/8'6"	2.59m/8'6"	2.59m/8'6"	2.59m/8'6"
Maximum Internal Headroom	1.95m/6'5"	1.95m/6'5"	1.95m/6'5"	1.95m/6'5"
Overall Length*	6.59m/21'7"	7.07m/23'2"	7.54m/24'9"	7.54m/24'9"
Awning A/A dimension	9.04m/29'8"	9.58m/31'5"	10.05m/33'0"	10.05m/33'0"
Mass in Running Order (inc. tolerance)	1341kg/26.4cwt	1474kg/29.0cwt	1528kg/30.1cwt	1525kg/30.0cwt*
Maximum Technical Permissible Laden Mass (Lower limit)	1467kg/28.9cwt	1625kg/32.0cwt	1684kg/33.1cwt	1681kg/33.1cwt*
Maximum Technical Permissible Laden Mass (Upper limit)	1500kg/29.5cwt	1650kg/32.5cwt	1700kg/33.5cwt	1700kg/33.5cwt
Total user Payload	126kg/2.5cwt	151kg/3.0cwt	156kg/3.1cwt	156kg/3.1cwt
Personal Effects	126kg/2.5cwt	151kg/3.0cwt	156kg/3.1cwt	156kg/3.1cwt
Options	0.0kg/0.0cwt	0.0kg/0.0cwt	0.0kg/0.0cwt	0.0kg/0.0cwt
Tyre Size	185 R14C 102 Q	195/70 R15C 104 R	195/70 R15C 104 R	195/70 R15C 104 R
Tyre pressure at Lower limit MTPLM	4.3 bar / 62 psi	4.5 bar / 65 psi	4.5 bar / 65 psi	4.5 bar / 65 psi
Tyre pressure at Upper limit MTPLM	4.4 bar / 64 psi	4.5 bar / 65 psi	4.5 bar / 65 psi	4.5 bar / 65 psi
Static Load on Coupling Head	100kg	100kg	100kg	100kg
Thermal Insulation Grade	THREE	THREE	THREE	THREE
Bed Sizes				
Front Double	200cm x 178cm/6'7" x 5'10"	200cm x 178cm/6'7" x 5'10"	200cm x 153cm/6'7" x 5'0"	200cm x 163cm/6'7" x 5'4"
or Front Nearside Single	188cm x 67cm/6'2" x 2'2"	178cm x 67cm/5'10" x 2'2"	153cm x 67cm/5'0" x 2'2"	163cm x 67cm/5'4" x 2'2"
and Front Offside Single	178cm x 67cm/5'10" x 2'2"	188cm x 67cm/6'2" x 2'2"	163cm x 67cm/5'4" x 2'2"	163cm x 67cm/5'4" x 2'2"
Rear Double			190cm x 133cm/6'3" x 4'4"	
Rear Bunk				
Side Single (offside)		180cm x 62cm/5'11" x 2'0"		172cm x 75cm/5'8" x 2'6"
Side Single (nearside)				190cm x 75cm/6'3" x 2'6"
Side Bunk (offside)		176cm x 59cm/5'9" x 1'11"		

Masses: The masses are calculated in accordance to EU regulation 1230/2012 and NCC code of practice 304.

The Mass in Running Order (MRO) comprises:

- The mass of the empty caravan as supplied by Swift including loose items such as the hook-up cable, kit bag, entrance step, manuals etc.
- 10kg allowance for LPG

The MRO is calculated with the fresh water tank, toilet flush tank and water heater empty. If you travel with water in the fresh water tank, toilet flush tank and the water heater the payload will reduce accordingly.

The personal effects is based on the number of berths and the length of the caravan and includes an allowance of 20kg for a leisure battery.

The Maximum Technical Laden Mass (MTPLM) is the maximum mass allowed when the caravan is fully laden.

WARNING: Under no circumstances should the MTPLM be exceeded

Elegance 580	Elegance 635	Elegance 645	Elegance 650
4	4	4	4
1	2	2	2
5.93m/19'5"	6.36m/20'10"	6.36m/20'10"	6.36m/20'10"
2.28m/7'6"	2.28m/7'6"	2.28m/7'6"	2.28m/7'6"
2.59m/8'6"	2.59m/8'6"	2.59m/8'6"	2.59m/8'6"
1.95m/6'5"	1.95m/6'5"	1.95m/6'5"	1.95m/6'5"
7.54m/24'9"	7.98m/26'2"	7.98m/26'2"	7.98m/26'2"
10.05m/33'0"	10.49m/34'5"	10.49m/34'5"	10.49m/34'5"
1525kg/30.0cwt	1670kg/32.9cwt*	1633kg/32.1cwt*	1670kg/32.9cwt*
1681kg/33.1cwt	1830kg/36.0cwt*	1793kg/35.3cwt*	1830kg/36.0cwt*
1700kg/33.5cwt	2000kg/39.4cwt	2000kg/39.4cwt	2000kg/39.4cwt
156kg/3.1cwt	160kg/3.1cwt	160kg/3.1cwt	160kg/3.1cwt
156kg/3.1cwt	160kg/3.1cwt	160kg/3.1cwt	160kg/3.1cwt
0.0kg/0.0cwt	0.0kg/0.0cwt	0.0kg/0.0cwt	0.0kg/0.0cwt
195/70 R15C 104 R	185/70 R14 88 T	185/70 R14 88 T	185/70 R14 88 T
4.5 bar / 65 psi	2.2 bar / 32 psi	2.2 bar / 32 psi	2.2 bar / 32 psi
4.5 bar / 65 psi	2.5 bar / 36 psi	2.5 bar / 36 psi	2.5 bar / 36 psi
100kg	100kg	100kg	100kg
THREE	THREE	THREE	THREE
200cm x 163cm/6'7" x 5'4"	200cm x 153cm/6'7" x 5'0"	200cm x 163cm/6'7" x 5'4"	200cm x 153cm/6'7" x 5'0"
163cm x 67cm/5'4" x 2'2"	153cm x 67cm/5'0" x 2'2"	163cm x 67cm/5'4" x 2'2"	153cm x 67cm/5'0" x 2'2"
163cm x 67cm/5'4" x 2'2"	153cm x 67cm/5'0" x 2'2"	163cm x 67cm/5'4" x 2'2"	188cm x 67cm/6'2" x 2'2"
182cm x 133cm/6'0" x 4'4"	182cm x 133cm/6'0" x 4'4"	182cm x 133cm/6'0" x 4'4"	190cm x 133cm/6'3" x 4'4"

Bed Sizes : Please note that the front double bed sizes quoted are for seating configurations without chest of drawers. The front double bed width for a layout with a chest of drawers fitted will be reduced by 0.4m(1'4") from that stated.

Awning sizes: Due to the varying awning designs and sizes the awning sizes given are approximate only. Specific awning sizes must be confirmed by your dealer or the awning manufacturer prior to purchase.

*Estimated weight or bed size

**The dimensions given are approximate due to slight variations in suspension ride heights, loading conditions and tyre pressures.

Customers should verify the actual dimensions of their touring caravan before committing to anything that could be impacted by these dimensions

Please note: Any dealer fit options will reduce the overall payload available to the user of the caravan.

If you require additional payload it is possible to upgrade the MTPLM to the upper limit. Please contact your caravan dealer for more information.

Elegance Grande Specification

Elegance	Elegance Grande 635	Elegance Grande 645	Elegance Grande 655
Berths	4	4	6
Axles	2	2	2
Internal Length (bed box height)	6.36m/20'10"	6.36m/20'10"	6.36m/20'10"
Overall Width*	2.45m/8'0"	2.45m/8'0"	2.45m/8'0"
Overall Height (inc. TV Aerial)*	2.59m/8'6"	2.59m/8'6"	2.59m/8'6"
Maximum Internal Headroom	1.95m/6'5"	1.95m/6'5"	1.95m/6'5"
Overall Length*	7.98m/26'2"	7.98m/26'2"	7.98m/26'2"
Awning A/A dimension	10.49m/34'5"	10.49m/34'5"	10.49m/34'5"
Mass in Running Order (inc. tolerance)	1725kg/34.0cwt	1695kg/33.4cwt	1787kg/35.2cwt*
Maximum Technical Permissible Laden Mass (Lower limit)	1885kg/37.1cwt	1855kg/36.5cwt	1967kg/38.7cwt*
Maximum Technical Permissible Laden Mass (Upper limit)	2000kg/39.4cwt	2000kg/39.4cwt	2000kg/39.4cwt
Total user Payload	160kg/3.1cwt	160kg/3.1cwt	180kg/3.5cwt
Personal Effects	160kg/3.1cwt	160kg/3.1cwt	180kg/3.5cwt
Options	0.0kg/0.0cwt	0.0kg/0.0cwt	0.0kg/0.0cwt
Tyre Size	185/70 R14 88 T	185/70 R14 88 T	185/70 R14 88 T
Tyre pressure at Lower limit MTPLM	2.3 bar / 33 psi	2.3 bar / 33 psi	2.5 bar / 36 psi
Tyre pressure at Upper limit MTPLM	2.5 bar / 36 psi	2.5 bar / 36 psi	2.5 bar / 36 psi
Static Load on Coupling Head	100kg	100kg	100kg
Thermal Insulation Grade	THREE	THREE	THREE
Bed Sizes			
Front Double	218cm x 153cm/7'2" x 5'0"	218cm x 153cm/7'2" x 5'0"	194cm x 137cm/ 6'4" x 4'6"
Side Double drop down			185cm x 135cm/6'0" x 4'5"
or Front Nearside Single	153cm x 70cm/5'0" x 2'4"	153cm x 70cm/5'0" x 2'4"	
and Front Offside Single	153cm x 70cm/5'0" x 2'4"	153cm x 70cm/5'0" x 2'4"	
Rear Double	182cm x 133cm/6'0" x 4'4"	182cm x 133cm/6'0" x 4'4"	
Rear Bunk			
Side Fixed Lower Bunk Single (nearside)			180cm x 79cm/ 5'10" x 2'7"
Side Fixed Upper Bunk Single (nearside)			180cm x 82cm/ 5'10" x 2'8"

Masses: The masses are calculated in accordance to EU regulation 1230/2012 and NCC code of practice 304.

The Mass in Running Order (MRO) comprises:

1. The mass of the empty caravan as supplied by Swift including loose items such as the hook-up cable, kit bag, entrance step, manuals etc.
2. 10kg allowance for LPG

The MRO is calculated with the fresh water tank, toilet flush tank and water heater empty. If you travel with water in the fresh water tank, toilet flush tank and the water heater the payload will reduce accordingly.

The personal effects is based on the number of berths and the length of the caravan and includes an allowance of 20kg for a leisure battery.

The Maximum Technical Laden Mass (MTPLM) is the maximum mass allowed when the caravan is fully laden.

WARNING: Under no circumstances should the MTPLM be exceeded

Bed Sizes : Please note that the front double bed sizes quoted are for seating configurations without chest of drawers. The front double bed width for a layout with a chest of drawers fitted will be reduced by 0.4m(1'4") from that stated.

Awning sizes: Due to the varying awning designs and sizes the awning sizes given are approximate only. Specific awning sizes must be confirmed by your dealer or the awning manufacturer prior to purchase.

*Estimated weight or bed size

**The dimensions given are approximate due to slight variations in suspension ride heights, loading conditions and tyre pressures.

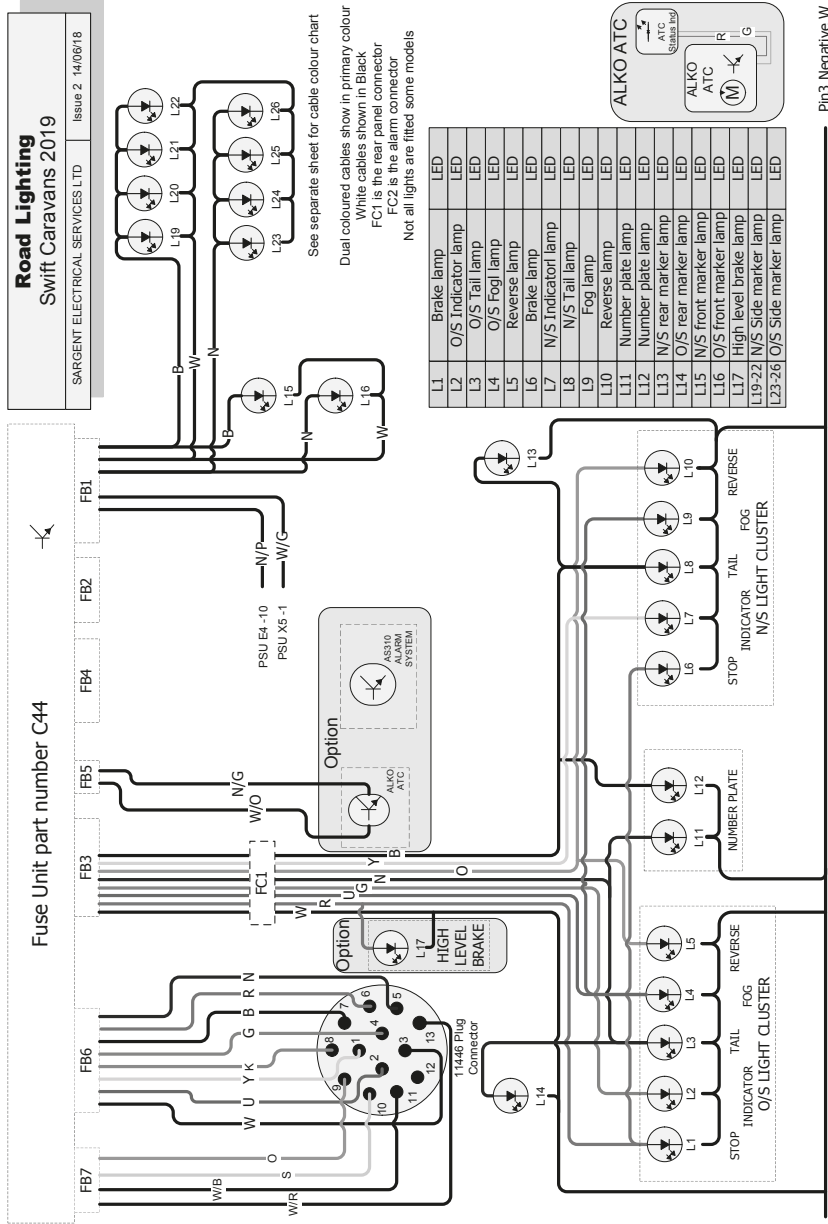
Customers should verify the actual dimensions of their touring caravan before committing to anything that could be impacted by these dimensions

Please note: Any dealer fit options will reduce the overall payload available to the user of the caravan.

If you require additional payload it is possible to upgrade the MTPLM to the upper limit. Please contact your caravan dealer for more information.

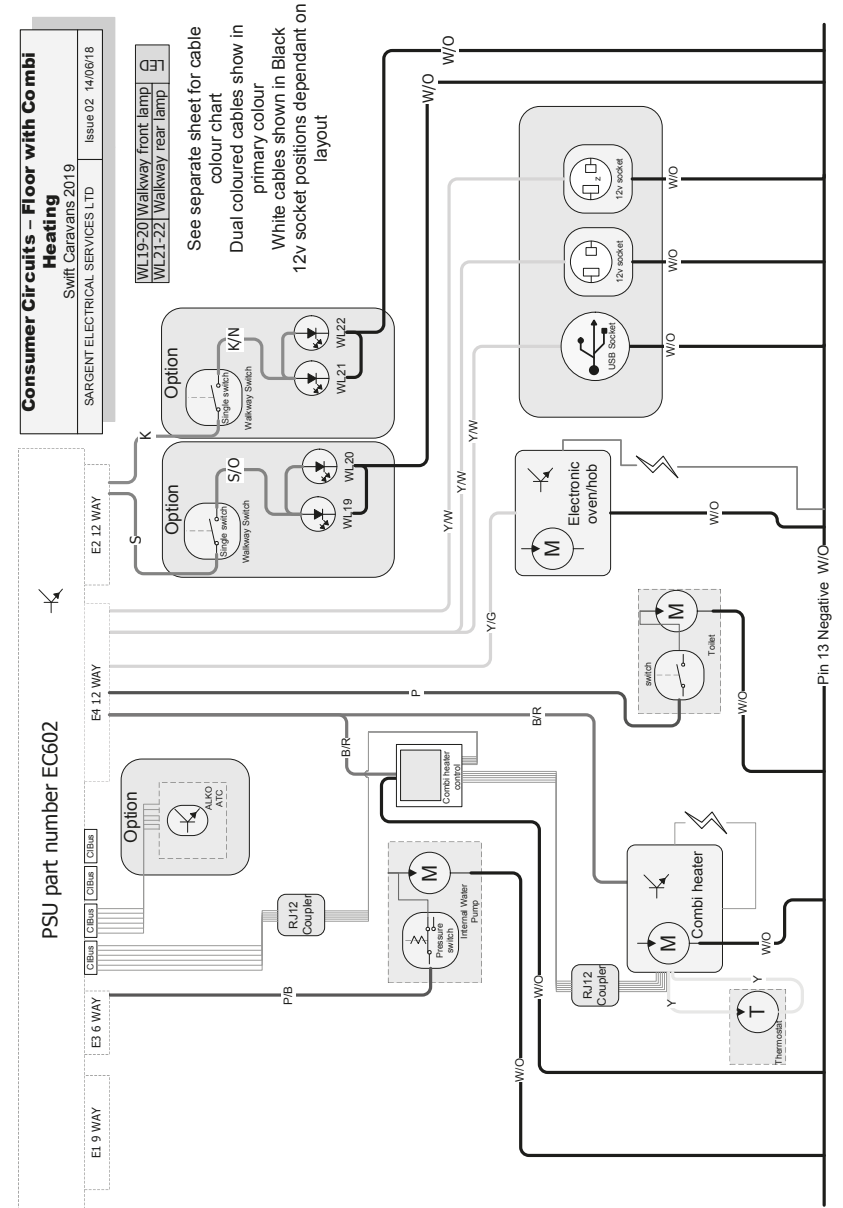
Wiring Diagrams - Road Lighting

Sprite, Sprite Super, Challenger, Eccles, Elegance & Elegance Grande



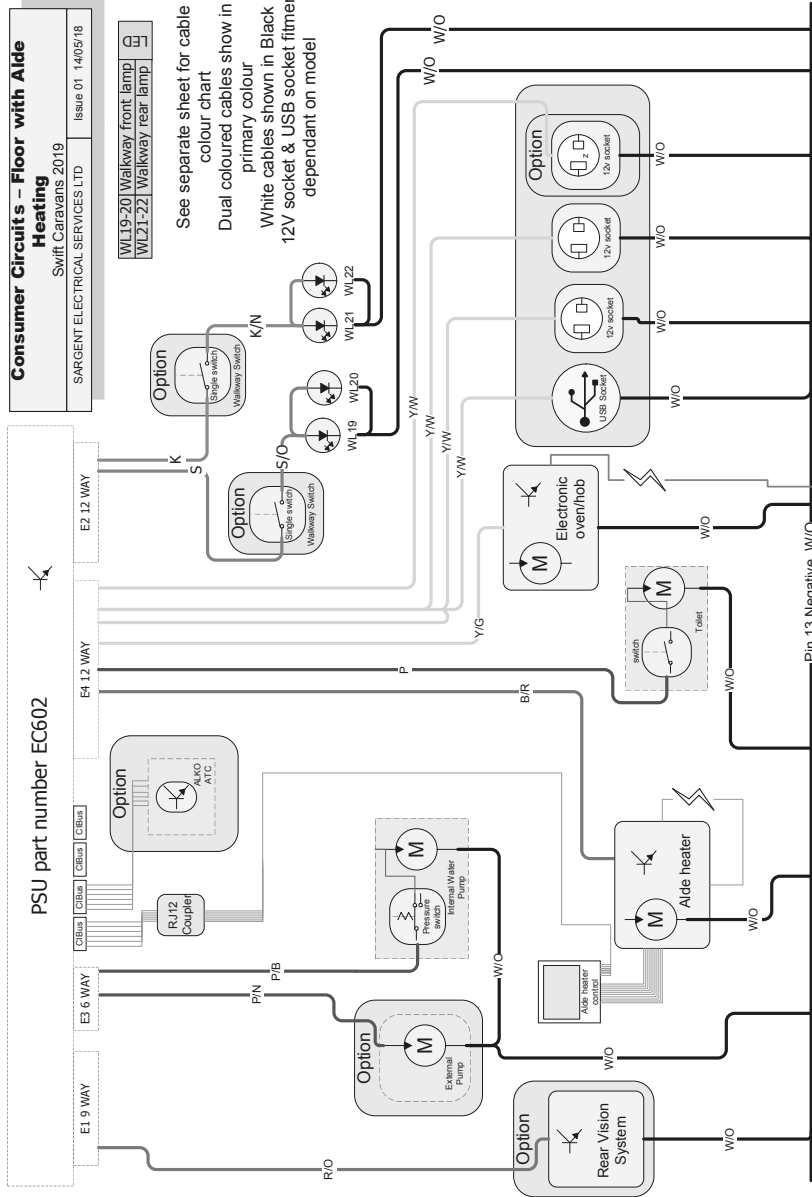
Wiring Diagrams - Consumer Circuits

Floor with Combi heating - Sprite, Sprite Super, Challenger & Eccles



Wiring Diagrams - Consumer Circuits

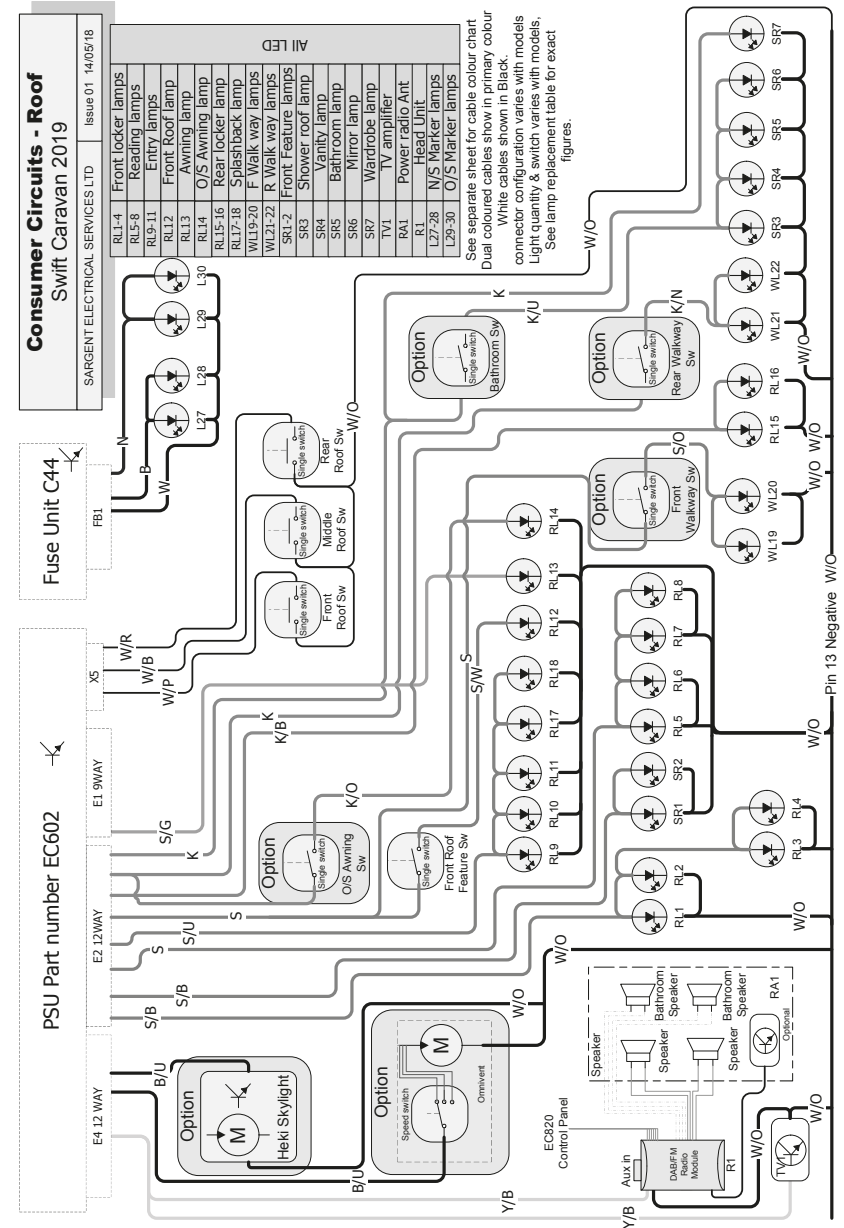
Floor with Alde heating - Challenger, Eccles, Elegance & Elegance Grande



Copyright Sargent Electrical Services Ltd. 2017. All rights reserved. Subject to change without prior notice.

Wiring Diagrams - Consumer Circuits - Roof

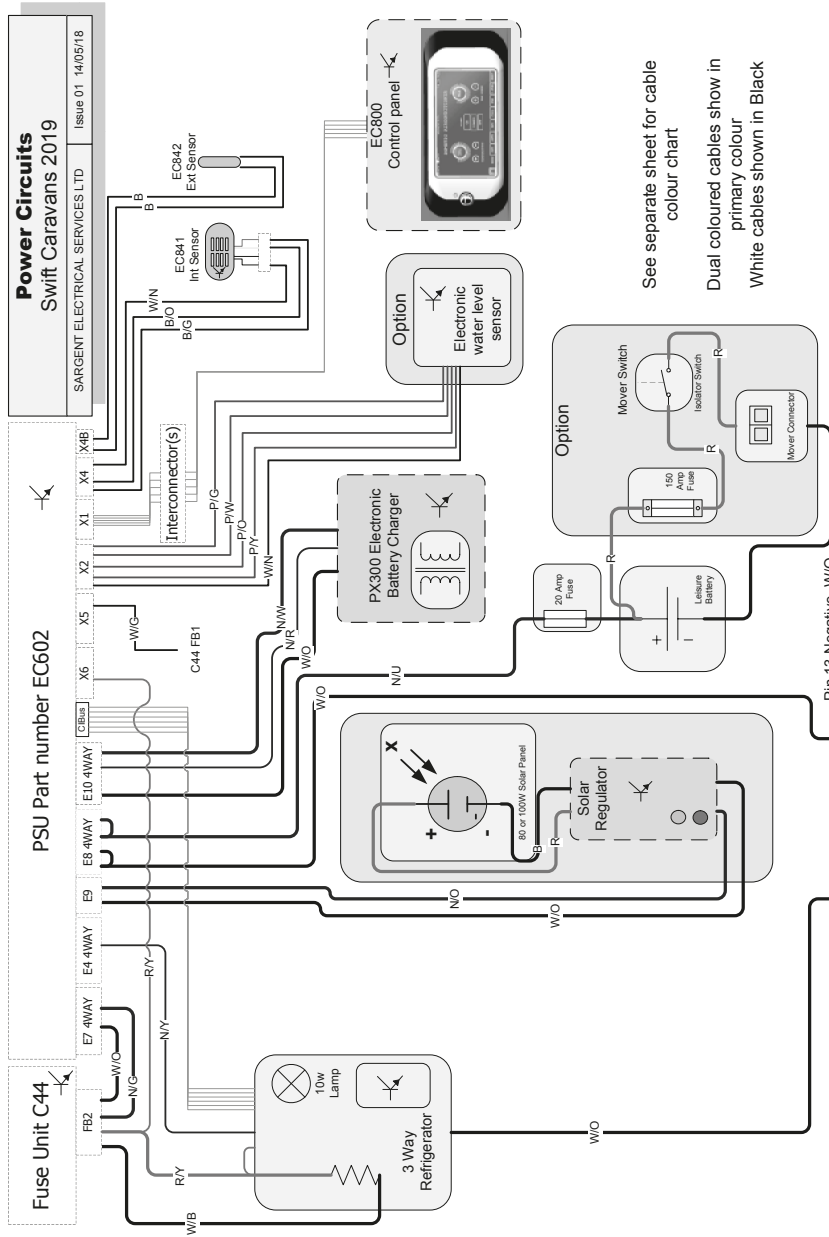
Sprite, Sprite Super, Challenger, Eccles, Elegance & Elegance Grande



Copyright Sargent Electrical Services Ltd. 2017. All rights reserved. Subject to change without prior notice.

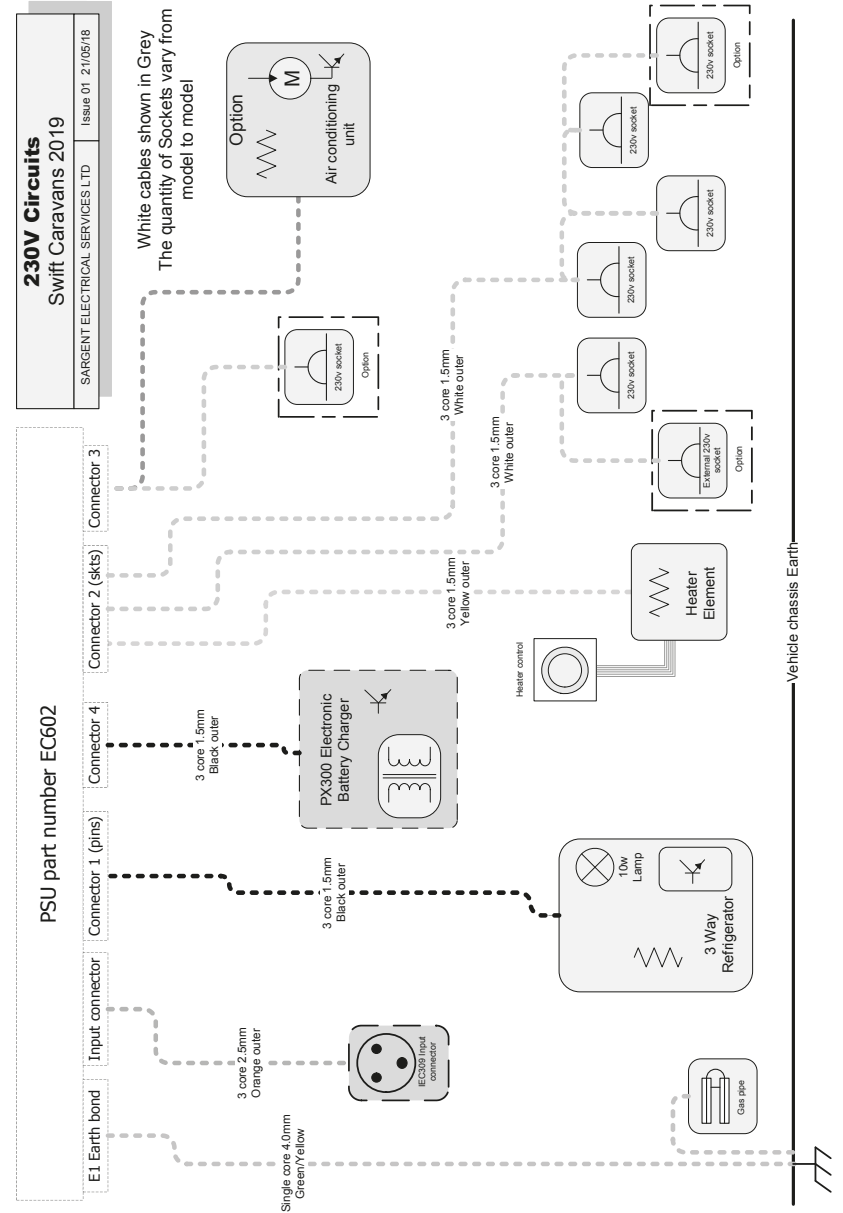
Wiring Diagrams - Power Circuits

Sprite, Sprite Super, Challenger, Eccles, Elegance & Elegance Grande



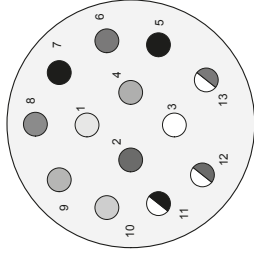
Wiring Diagrams - 230V Circuits

Sprite, Sprite Super, Challenger, Eccles, Elegance & Elegance Grande



Wiring Diagrams - 13 Pin Socket

ISO 11446 Circuits
 Swift Group Caravans (where applicable)
 SARGENT ELECTRICAL SERVICES LTD Issue 01 06/07/10

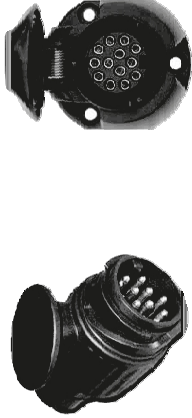


It is possible to get adaptors that convert two sockets on the towbar to a single 13 pin ISO socket, and vice versa.

Connection lead from 12N 7 pin socket plus 12S 7 pin socket to 13pin Euro Socket. (Converts a vehicle with two 7 pin sockets to a caravan with a 13 pin plug)

Please be aware that some car and adaptor manufacturers don't provide the fridge power connections

11446 Plug Connector viewed from cable entry on plug



Pin No	Core Colour	Core Size	Function
1	Yellow	1.5	Left Hand Indicator Light
2	Blue	1.5	Rear Fog Warning Light(s)
3	White	2.5	Earth for pins 1 - 8
4	Green	1.5	Right Hand Indicator Light
5	Brown	1.5	Right Hand Tail Light
6	Red	1.5	Brake Lights
7	Black	1.5	Left Hand Tail Light
8	Pink	1.5	Reverse Light(s)
9	Orange	2.5	Car +ve
10	Slate (Grey)	2.5	Fridge +ve
11	White/Black	2.5	Earth for pin 10
12	White/Blue	1.5	Not Yet Allocated
13	White/Red	2.5	Earth for pin 9

Copyright Sargent Electrical Services Ltd. 2017 all rights reserved. Subject to change without prior notice.

Wiring Diagrams - Cable Colour Chart

Cable Colour Chart
 Swift range 2019
 SARGENT ELECTRICAL SERVICES LTD Issue 01 21/05/18

Example
 Y/U
 Yellow cable with Blue stripe

12v Cable Colours

B	BLACK
N	BROWN
R	RED
O	ORANGE
Y	YELLOW
G	GREEN
U	BLUE
P	PURPLE
S	SLATE GREY
W	WHITE
K	PINK

230v Cable Colours

B	BLACK
N	BROWN
W	WHITE
O	ORANGE
Y	YELLOW
G	GREEN
U	BLUE

Copyright Sargent Electrical Services Ltd. 2017 all rights reserved. Subject to change without prior notice.

SPRITE, SPRITE SUPER, CHALLENGER / ECCLES / ELEGANCE / ELEGANCE GRANDE ROAD LIGHT BULB ACCESS

REAR LIGHT CLUSTERS (CONTAINING INDICATOR, TAIL / STOP, REVERSE AND FOG LAMPS):

- These multi-function lights are LED and have no user serviceable parts inside.
- Replacement clusters can be fitted in the following way:
- Remove three screws visible around the perimeter of the cluster
- Pull the cluster away from the rear panel of the tourer, taking care to not put excessive strain on the electrical connections behind the lamp
- Unplug the electrical connection from the rear of the lamp, by releasing the tab and lifting the connector upwards relative to the cluster
- Plug the connector back into the replacement lamp, position the lamp into the recess and replace the three fixing screws.

FRONT LOW LEVEL MARKER / POSITION LAMPS (CLEAR LENSE)

- These lamps are LED and have no user serviceable parts inside.
- Replacements should be undertaken by your dealer, as the lamps are sealed onto the mounting panel.

HIGH LEVEL BRAKE LAMP

- This lamp is single piece and has no user serviceable parts inside.
- Replacements should be undertaken by your dealer, as the lamps are sealed onto the mounting panel.

NUMBER PLATE LAMPS

- These lamps are single piece and have no user serviceable parts inside.
- Replacements should be undertaken by your dealer, as the lamps are sealed onto the mounting panel.

SIDE MARKER / POSITION LAMPS (AMBER LENSE)

- These lamps are LED and have no user serviceable parts inside.
- Replacements should be undertaken by your dealer, as the lamps are sealed onto the mounting panel.

UPPER SIDE MARKER / POSITION LAMPS (RED AND WHITE LENSE)

- These lamps are LED and have no user serviceable parts inside.
- Replacement should be undertaken by your dealer, as the lamp is sealed onto the mounting panel.

Dealer Special specifications based on Sprite

Based on	Alpine 2	Alpine 4	Major 4 SB	Major 4 EB
Dealer				
Kimberley	S-Line 450	S-Line 470	S-Line 580	S-Line 560
Wandahome	Ambassador	Envoy	Diplomat	Globetrotter
Lowdhams	Freestyle S2	Freestyle S4	Freestyle S4SB	Freestyle S4EB
Preston	Kudos 440	Kudos 470	Kudos 530 SB	Kudos 530 EB
Broadlane	Fairway 460	Fairway 470	Fairway 580	Fairway 560
Grantham	Siena 2	Siena 4	Siena 4 SB	Siena 4 EB
3A's			Charisma 580	Charisma 550
Sussex	Chilgrove 460	Goodwood 480	Findon 580	Amberley 560
YC Leisure	Exclusive 2	Exclusive 4	Exclusive 4 SB	Exclusive 4 EB
Highbridge	Coastline Design A2	Coastline Design A4	Coastline Design M4SB	Coastline Design M4EB
Leisure Sales	Marbury		Astbury	Henbury
Swindon	Vogue 480		Vogue 580 SB	Vogue 560 EB
White Arches	Woodford	Hartwell	Twywell	Rockingham
Glossop		Celebrate 4	Celebrate 4 SB	Celebrate 4 EB
Torksey	Aventura A2		Aventura M4 SB	Aventura M4 EB
Cookstown			Europa 580	Europa 560
MG Caravans	Accord 480	Accord 510	Accord 580	Accord 560
Spinney	Spinney A2	Spinney A4	Spinney M4SB	Spinney M4EB
Duncans			Ben Nevis	Cairngorm
Berths	2	4	4	4
Axles	1	1	1	1
Internal Length (bed box height)	4.34m/14'3"	4.74m/15'7"	5.83m/19'2"	5.83m/19'2"
Overall Width**	2.25m/7'5"	2.25m/7'5"	2.25m/7'5"	2.25m/7'5"
Overall Height (inc. TV Aerial)**	2.59m/8'6"	2.59m/8'6"	2.59m/8'6"	2.59m/8'6"
Maximum Internal Headroom	1.95m/6'5"	1.95m/6'5"	1.95m/6'5"	1.95m/6'5"
Overall Length**	6.05m/19'10"	6.45m/21'2"	7.54m/24'9"	7.54m/24'9"
Awning A/A dimension	8.59m/28'2"	8.99m/29'6"	10.08m/33'1"	10.08m/33'1"
Mass in Running Order (inc. tolerance)	1104kg/21.7cwt	1154kg/22.7cwt	1295kg/25.5cwt	1335kg/26.3cwt
Maximum Technical Permissible Laden Mass (Lower limit)	1225kg/24.1cwt	1300kg/25.6cwt	1451kg/28.6cwt	1491kg/29.3cwt
Maximum Technical Permissible Laden Mass (Upper limit)	1250kg/24.6cwt	1300kg/25.6cwt	1500kg/29.5cwt	1500kg/29.5cwt
Total user Payload	121kg/2.4cwt	146kg/2.9cwt	156kg/3.1cwt	156kg/3.1cwt
Personal Effects	121kg/2.4cwt	145kg/2.9cwt	156kg/3.1cwt	156kg/3.1cwt
Options	0kg/0cwt	0kg/0cwt	0kg/0cwt	0kg/0cwt
Tyre Size	185 R14C 102Q	185 R14C 102Q	185 R14C 102Q	185 R14C 102Q
Tyre pressure at Lower limit MTPLM	3.4 bar / 49 psi	3.7 bar / 54 psi	4.2 bar / 61 psi	4.3 bar / 62 psi
Tyre pressure at Upper limit MTPLM	3.5 bar / 51 psi	3.7 bar / 54 psi	4.4 bar / 64 psi	4.4 bar / 64 psi
Static Load on Coupling Head	100kg	100kg	100kg	100kg
Thermal Insulation Grade	THREE	THREE	THREE	THREE
Bed Sizes				
Front Double	202cm x 180cm/6'8" x 5'11"	202cm x 128cm/6'8" x 4'2"	202cm x 159cm/6'8" x 5'3"	202cm x 159cm/6'8" x 5'3"
or Front Nearside Single	190cm x 72cm/6'3" x 2'4"		159cm x 72cm/5'3" x 2'4"	159cm x 72cm/5'3" x 2'4"
and Front Offside Single	180cm x 72cm/5'11" x 2'4"		159cm x 72cm/5'3" x 2'4"	159cm x 72cm/5'3" x 2'4"
Rear Double		189cm x 132cm/6'2" x 4'4"	185cm x 133cm/6'1" x 4'4"	190cm x 133cm/6'3" x 4'4"
Side Single (offside)				
Side Single (nearside)				
Side Bunk (offside)				
Side Bunk (nearside)				
Side Fixed Lower Bunk				
Side Fixed Upper Bunk				

Masses: The masses are calculated in accordance to EU regulation 1230/2012 and NCC code of practice 304.

The Mass in Running Order (MRO) comprises:

- The mass of the empty caravan as supplied by Swift including loose items such as the hook-up cable, kit bag, entrance step, manuals etc.
- 10kg allowance for LPG

The MRO is calculated with the fresh water tank, toilet flush tank and water heater empty. If you travel with water in the fresh water tank, toilet flush tank and the water heater the payload will reduce accordingly.

The personal effects is based on the number of berths and the length of the caravan and includes an allowance of 20kg for a leisure battery.

The Maximum Technical Laden Mass (MTPLM) is the maximum mass allowed when the caravan is fully laden.

WARNING: Under no circumstances should the MTPLM be exceeded

Major 6	Major 6 TD	Quattro EW	Quattro FB	Quattro DD	Quattro EB
	S-Line 566	S-Line 650			
Courier	Viscount	Pioneer	Prestige		Quartz
	Freestyle S6TD				Freestyle Twin EB
Kudos 560	Kudos 580	Kudos 630 EW	Kudos 630 FB	Kudos 630 DD	Kudos 630 EB
	Fairway 590				Fairway 635
Siena 6	Siena 6 TD	Siena EW		Siena DD	Siena EB
	Charisma 565	Charisma 630	Charisma 625		Charisma 635
	Washington 590	Tangmere 630			
Exclusive 6	Exclusive 6 TD	Exclusive 6 EW	Exclusive 6 FB	Exclusive 6 DD	Exclusive 4 EBT
	Coastline Design M6TD	Coastline Design Q6EW	Coastline Design Q6FB		Coastline Design Q4EB
	Prestbury	Wrenbury L			
Vogue 585 SR	Vogue 590 TD				Vogue 635 EB
Maidwell	Cottingham				
	Celebrate 6 TD	Celebrate 6 EW	Celebrate 6 FB	Celebrate 6 DD	Celebrate 6 EB
Aventura M6	Aventura Q6 EW	Aventura Q6 FB			Aventura Q4 EB
Europa 590	Europa 590TD				Europa 635
Accord 590S	Accord 590	Accord 630	Accord 620	Accord 640	Accord 635
Spinney M6	Spinney M6TD	Spinney QEW	Spinney QFB	Spinney QDD	Spinney QEB
	Culmor				
6	6	6	6	6	4
1	1	2	2	2	2
5.60m/18'4"	5.83m/19'2"	6.27m/20'7"	6.27m/20'7"	6.27m/20'7"	6.27m/20'7"
2.25m/7'5"	2.25m/7'5"	2.25m/7'5"	2.25m/7'5"	2.25m/7'5"	2.25m/7'5"
2.59m/8'6"	2.59m/8'6"	2.59m/8'6"	2.59m/8'6"	2.59m/8'6"	2.59m/8'6"
1.95m/6'5"	1.95m/6'5"	1.95m/6'5"	1.95m/6'5"	1.95m/6'5"	1.95m/6'5"
7.31m/24'0"	7.54m/24'9"	7.98m/26'2"	7.98m/26'2"	7.98m/26'2"	7.98m/26'2"
9.85m/32'4"	10.08m/33'1"	10.52m/34'6"	10.52m/34'6"	10.52m/34'6"	10.52m/34'6"
1309kg/28.5cwt	1372kg/29.0cwt	1446kg/28.5cwt	1461kg/28.8cwt	1519kg/29.9cwt	1485kg/29.2cwt
1483kg/29.2cwt	1550kg/30.5cwt	1626kg/32.0cwt	1641kg/32.3cwt	1699kg/33.4cwt	1645kg/32.4cwt
1500kg/29.5cwt	1550kg/30.5cwt	1800kg/35.4cwt	1800kg/35.4cwt	1800kg/35.4cwt	1800kg/35.4cwt
174kg/3.4cwt	178kg/3.5cwt	180kg/3.5cwt	180kg/3.5cwt	180kg/3.5cwt	160kg/3.1cwt
174kg/3.4cwt	176kg/3.5cwt	180kg/3.5cwt	180kg/3.5cwt	180kg/3.5cwt	160kg/3.1cwt
0kg/0cwt	0kg/0cwt	0kg/0cwt	0kg/0cwt	0kg/0cwt	0kg/0cwt
185 R14C 102Q	185 R14C 102Q	185/70 R14 88T	185/70 R14 88T	185/70 R14 88T	185/70 R14 88T
4.3 bar / 62 psi	4.5 bar / 65 psi	2.0 bar / 29 psi	2.0 bar / 29 psi	2.0 bar / 29 psi	2.0 bar / 29 psi
4.4 bar / 64 psi	4.5 bar / 65 psi	2.2 bar / 32 psi	2.2 bar / 32 psi	2.2 bar / 32 psi	2.2 bar / 32 psi
100kg	100kg	100kg	100kg	100kg	100kg
THREE	THREE	THREE	THREE	THREE	THREE
202cm x 170cm/6'8" x 5'7"	202cm x 180cm/6'8" x 5'11"	206cm x 134cm/6'9" x 4'5"	202cm x 180cm/6'8" x 5'11"	202cm x 180cm/6'8" x 5'11"	202cm x 159cm/6'8" x 5'3"
	190cm x 72cm/6'3" x 2'4"		180cm x 72cm/5'11" x 2'4"	190cm x 72cm/6'3" x 2'4"	159cm x 72cm/5'3" x 2'4"
	180cm x 72cm/5'11" x 2'4"		190cm x 72cm/6'3" x 2'4"	180cm x 72cm/5'11" x 2'4"	159cm x 72cm/5'3" x 2'4"
		194cm x 132cm/6'4" x 4'4"	192cm x 132cm/6'4" x 4'4"	185cm x 132cm/6'1" x 4'3"	185cm x 133cm/6'1" x 4'4"
180cm x 83cm/5'11" x 2'9"		180cm x 62cm/5'11" x 2'0"	180cm x 62cm/5'11" x 2'0"	185cm x 64cm/6'1" x 2'1"	
	180cm x 67cm/5'11" x 2'2"			175cm x 64cm/5'7" x 2'1"	
176cm x 59cm/5'9" x 1'11"		176cm x 59cm/5'9" x 1'11"	176cm x 59cm/5'9" x 1'11"	173cm x 59cm/5'8" x 1'11"	
	176cm x 59cm/5'9" x 1'11"			163cm x 59cm/5'4" x 1'11"	
183cm x 57cm/6'0" x 1'10"	183cm x 57cm/6'0" x 1'10"				
183cm x 57cm/6'0" x 1'10"	183cm x 57cm/6'0" x 1'10"				

Bed Sizes: Please note that the front double bed sizes quoted are for seating configurations without chest of drawers. The front double bed width for a layout with a chest of drawers fitted will be reduced by 0.4m(1'4") from that stated.

Awning sizes: Due to the varying awning designs and sizes the awning sizes given are approximate only. Specific awning sizes must be confirmed by your dealer or the awning manufacturer prior to purchase.

*Estimated weight or bed size

**The dimensions given are approximate due to slight variations in suspension ride heights, loading conditions and tyre pressures.

Customers should verify the actual dimensions of their touring caravan before committing to anything that could be impacted by these dimensions

Please note: Any dealer fit options will reduce the overall payload available to the user of the caravan.

If you require additional payload it is possible to upgrade the MTPLM to the upper limit. Please contact your caravan dealer for more information.

Dealer Special specifications based on Sprite Super

Based on	Sprite Super Quattro FB	Sprite Super Quattro DB
Dealer		
Kimberley	S-Line SE 850	
Wandahome	Nightstar	Superstar
Lowdhams		Freestyle Super Twin
Preston	Kudos 830 FB	Kudos 830DB
Grantham	Siena FB	Siena DB
3A's	Charisma 645 Excel	Charisma 640 Excel
Sussex	Donnington FB	
YC Leisure	Exclusive 6FB Super	Exclusive 6DB Super
Highbridge	Coastline Design Q6FB Super	Coastline Design Q6DB Super
Leisure Sales	Wrenbury FBW	
White Arches	Caldecot	Harringworth
Cookstown	Europa 840	Europa 866
MG Caravans	Accord 820	Accord 825
Spinney	Spinney QFBSUP	Spinney QDBSUP
Duncans	Ben Vorlich	
Glossop	Celebrate Super QFB	Celebrate Super QDB
Berths	6	6
Axles	2	2
Internal Length (bed box height)	6.27m/20'7"	6.27m/20'7"
Overall Width**	2.46m/8'1"	2.46m/8'1"
Overall Height (inc. TV Aerial)**	2.59m/8'6"	2.59m/8'6"
Maximum Internal Headroom	1.95m/6'5"	1.95m/6'5"
Overall Length**	7.98m/26'2"	7.98m/26'2"
Awning A/A dimension	10.56m/34'8"	10.56m/34'8"
Mass in Running Order (inc. tolerance)	1545kg/30.4cwt	1552kg/30.6cwt
Maximum Technical Permissible Laden Mass (Lower limit)	1725kg/34.0cwt	1732kg/34.1cwt
Maximum Technical Permissible Laden Mass (Upper limit)	1800kg/35.4cwt	1800kg/35.4cwt
Total user Payload	180kg/3.5cwt	180kg/3.5cwt
Personal Effects	180kg/3.5cwt	180kg/3.5cwt
Options	0kg/0cwt	0kg/0cwt
Tyre Size	185/70 R14 88T	185/70 R14 88T
Tyre pressure at Lower limit MTPLM	2.1 bar / 30 psi	2.1 bar / 30 psi
Tyre pressure at Upper limit MTPLM	2.2 bar / 32 psi	2.2 bar / 32 psi
Static Load on Coupling Head	100kg	100kg
Thermal Insulation Grade	THREE	THREE
Bed Sizes		
Front Double	225cm x 180cm/7'4" x 5'11"	225cm x 180cm/7'4" x 5'11"
or Front Nearside Single	180cm x 73cm/5'11" x 2'5"	180cm x 73cm/5'11" x 2'5"
and Front Offside Single	180cm x 73cm/5'11" x 2'5"	180cm x 73cm/5'11" x 2'5"
Rear Double	196cm x 135cm/6'5" x 4'5"	
Side Double (offside)	190cm x 134cm/6'3" x 4'5"	190cm x 134cm/6'3" x 4'5"
Side Fixed Lower Bunk		182cm x 72cm/6'0" x 2'4"
Side Fixed Upper Bunk		182cm x 72cm/6'0" x 2'4"

Masses: The masses are calculated in accordance to EU regulation 1230/2012 and NCC code of practice 304.

The Mass in Running Order (MRO) comprises:

1. The mass of the empty caravan as supplied by Swift including loose items such as the hook-up cable, kit bag, entrance step, manuals etc.
2. 10kg allowance for LPG

The MRO is calculated with the fresh water tank, toilet flush tank and water heater empty. If you travel with water in the fresh water tank, toilet flush tank and the water heater the payload will reduce accordingly.

The personal effects is based on the number of berths and the length of the caravan and includes an allowance of 20kg for a leisure battery.

The Maximum Technical Laden Mass (MTPLM) is the maximum mass allowed when the caravan is fully laden.

WARNING: Under no circumstances should the MTPLM be exceeded

Bed Sizes : Please note that the front double bed sizes quoted are for seating configurations without chest of drawers. The front double bed width for a layout with a chest of drawers fitted will be reduced by 0.4m(1'4") from that stated.

Awning sizes: Due to the varying awning designs and sizes the awning sizes given are approximate only. Specific awning sizes must be confirmed by your dealer or the awning manufacturer prior to purchase.

*Estimated weight or bed size

**The dimensions given are approximate due to slight variations in suspension ride heights, loading conditions and tyre pressures.

Customers should verify the actual dimensions of their touring caravan before committing to anything that could be impacted by these dimensions

Please note: Any dealer fit options will reduce the overall payload available to the user of the caravan.

If you require additional payload it is possible to upgrade the MTPLM to the upper limit. Please contact your caravan dealer for more information.

Dealer Special specifications based on Eccles / Challenger with Alde

Based on	Eccles / Challenger 480	Eccles / Challenger 530	Eccles / Challenger 560	Challenger 565
Dealer				
Broad Lane	Fairway 480	Fairway 530	Fairway 560	Fairway 565
Lowdhams	Hi-Style 480	Hi-Style 530	Hi-Style 560	
Newport	GTS 480	GTS 530	GTS 560	GTS 565
Grantham	Elite 480	Elite 530	Elite 560	Elite 565
Barsdea	Windermere 480	Windermere 530	Windermere 560	Windermere 565
Sussex	Chilgrove 480	Ardingly 530	Amberley 560	Loxwood 565
Salop / White Arches	Celeste 480 SE	Celeste 530 SE	Celeste 560 SE	Celeste 565 SE
White Arches	Archway 480	Archway 530	Archway 560	Archway 565
Glossop			Celebration 560	
Low & Rhodes	Solitaire 480	Solitaire 530	Solitaire 560	
Berths	2	4	4	4
Axles	1	1	1	1
Internal Length (bed box height)	4.95m/16'3"	5.29m/17'4"	5.83m/19'2"	5.60m/18'4"
Overall Width**	2.23m/7'4"	2.23m/7'4"	2.23m/7'4"	2.23m/7'4"
Overall Height (inc. TV Aerial)**	2.61m/8'7"	2.61m/8'7"	2.61m/8'7"	2.61m/8'7"
Maximum Internal Headroom	1.95m/6'5"	1.95m/6'5"	1.95m/6'5"	1.95m/6'5"
Overall Length**	6.66m/21'10"	7.00m/23'0"	7.54m/24'9"	7.31m/24'0"
Awning A/A dimension	9.32m/30'7"	9.66m/31'8"	10.20m/33'6"	9.97m/32'9"
Mass in Running Order (inc. tolerance)	1282kg/25.2cwt	1350kg/26.6cwt	1444kg/28.4cwt	1396kg/27.5cwt*
Maximum Technical Permissible Laden Mass (Lower limit)	1409kg/27.7cwt	1501kg/29.5cwt	1600kg/31.5cwt	1550kg/30.5cwt*
Maximum Technical Permissible Laden Mass (Upper limit)	1500kg/29.5cwt	1550kg/30.5cwt	1600kg/31.5cwt	1550kg/30.5cwt
Total user Payload	127kg/2.5cwt	151kg/3.0cwt	156kg/3.1cwt	154kg/3.0cwt
Personal Effects	127kg/2.5cwt	151kg/3.0cwt	156kg/3.1cwt	154kg/3.0cwt
Options	0kg/0cwt	0kg/0cwt	0kg/0cwt	0kg/0cwt
Tyre Size	185 R14C 102Q	185 R14C 102Q	195/70 R15C 104R	185 R14C 102Q
Tyre pressure at Lower limit MTPLM	4.1 bar / 59 psi	4.4 bar / 64 psi	4.4 bar / 64 psi	4.5 bar / 65 psi
Tyre pressure at Upper limit MTPLM	4.4 bar / 64 psi	4.5 bar / 65 psi	4.4 bar / 64 psi	4.5 bar / 65 psi
Static Load on Coupling Head	100kg	100kg	100kg	100kg
Thermal Insulation Grade	THREE	THREE	THREE	THREE
Bed Sizes				
Front Double	202cm x 186cm/6'8" x 6'1"	202cm x 176cm/6'8" x 5'9"	202cm x 156cm/6'8" x 5'1"	202cm x 156cm/6'8" x 5'1"
or Front Nearside Single	196cm x 72cm/6'4" x 2'4"	176cm x 72cm/5'9" x 2'4"	156cm x 72cm/5'1" x 2'4"	156cm x 72cm/5'1" x 2'4"
and Front Offside Single	186cm x 72cm/6'1" x 2'4"	186cm x 72cm/6'1" x 2'4"	156cm x 72cm/5'1" x 2'4"	156cm x 72cm/5'1" x 2'4"
Rear Double			190cm x 133cm/6'3" x 4'4"	
Side Single (offside)		180cm x 62cm/5'11" x 2'0"		192cm x 68cm/6'4" x 2'3"
Side Single (nearside)				183cm x 73cm/6'0" x 2'5"
Side Bunk (offside)		176cm x 59cm/5'9" x 1'11"		
Side Bunk (nearside)				
Side Fixed Lower Bunk				169cm x 59cm/5'7" x 1'11"
Side Fixed Upper Bunk				181cm x 57cm/5'11" x 1'10"
				181cm x 57cm/5'11" x 1'10"

Masses: The masses are calculated in accordance to EU regulation 1230/2012 and NCC code of practice 304.

The Mass in Running Order (MRO) comprises:

- The mass of the empty caravan as supplied by Swift including loose items such as the hook-up cable, kit bag, entrance step, manuals etc.
- 10kg allowance for LPG (20kg if auto change over regulator fitted).

The MRO is calculated with the fresh water tank, toilet flush tank and water heater empty. If you travel with water in the fresh water tank, toilet flush tank and the water heater the payload will reduce accordingly.

The personal effects is based on the number of berths and the length of the caravan and includes an allowance of 20kg for a leisure battery.

The Maximum Technical Laden Mass (MTPLM) is the maximum mass allowed when the caravan is fully laden.

WARNING: Under no circumstances should the MTPLM be exceeded

Eccles / Challenger 580	Eccles / Challenger 590	Eccles / Challenger 635	Eccles / Challenger 645	Eccles / Challenger 650
Fairway 580		Fairway 635		Fairway 650
Hi-Style 580		Hi-Style 635		Hi-Style 650
GTS 580	GTS 590	GTS 635	GTS 645	GTS 650
Elite 580	Elite 590	Elite 635	Elite 645	Elite 650
Windermere 580	Windermere 590	Windermere 635	Windermere 645	
Findon 580				
Celeste 580 SE	Celeste 590 SE	Celeste 635 SE	Celeste 645 SE	Celeste 650 SE
Archway 580	Archway 635	Archway 645	Archway 650	
Celebration 580	Celebration 590	Celebration 635	Celebration 645	Celebration 650
Solitaire 580	Solitaire 590	Solitaire 635	Solitaire 645	Solitaire 650
4	6	4	4	4
1	1	2	2	2
5.83m/19'2"	5.83m/19'2"	6.27m/20'7"	6.27m/20'7"	6.27m/20'7"
2.23m/7'4"	2.23m/7'4"	2.23m/7'4"	2.23m/7'4"	2.23m/7'4"
2.61m/8'7"	2.61m/8'7"	2.61m/8'7"	2.61m/8'7"	2.61m/8'7"
1.95m/6'5"	1.95m/6'5"	1.95m/6'5"	1.95m/6'5"	1.95m/6'5"
7.54m/24'9"	7.54m/24'9"	7.98m/26'2"	7.98m/26'2"	7.98m/26'2"
10.20m/33'6"	10.20m/33'6"	10.64m/34'11"	10.64m/34'11"	10.64m/34'11"
1394kg/27.4cwt	1474kg/29.0cwt	1580kg/31.1cwt	1546kg/30.4cwt	1569kg/30.9cwt
1550kg/30.5cwt	1650kg/32.5cwt	1740kg/34.3cwt	1706kg/33.6cwt	1729kg/34.0cwt
1550kg/30.5cwt	1650kg/32.5cwt	2000kg/39.4cwt	2000kg/39.4cwt	2000kg/39.4cwt
156kg/3.1cwt	176kg/3.5cwt	160kg/3.1cwt	160kg/3.1cwt	160kg/3.1cwt
156kg/3.1cwt	176kg/3.5cwt	160kg/3.1cwt	160kg/3.1cwt	160kg/3.1cwt
0kg/0cwt	0kg/0cwt	0kg/0cwt	0kg/0cwt	0kg/0cwt
185 R14C 102Q	195/70 R15C 104R	185/70 R14 88T	185/70 R14 88T	185/70 R14 88T
4.5 bar / 65 psi	4.5 bar / 65 psi	2.1 bar / 30 psi	2.0 bar / 29 psi	2.1 bar / 30 psi
4.5 bar / 65 psi	4.5 bar / 65 psi	2.5 bar / 36 psi	2.5 bar / 36 psi	2.5 bar / 36 psi
100kg	100kg	100kg	100kg	100kg
THREE	THREE	THREE	THREE	THREE
202cm x 156cm/6'8" x 5'1"	202cm x 176cm/6'8" x 5'9"	202cm x 156cm/6'8" x 5'1"	202cm x 156cm/6'8" x 5'1"	202cm x 156cm/6'8" x 5'1"
156cm x 72cm/5'1" x 2'4"	186cm x 72cm/6'1" x 2'4"	156cm x 72cm/5'1" x 2'4"	156cm x 72cm/5'1" x 2'4"	156cm x 72cm/5'1" x 2'4"
156cm x 72cm/5'1" x 2'4"	176cm x 72cm/5'9" x 2'4"	156cm x 72cm/5'1" x 2'4"	156cm x 72cm/5'1" x 2'4"	186cm x 72cm/6'1" x 2'4"
185cm x 133cm/6'1" x 4'4"		185cm x 133cm/6'1" x 4'4"	185cm x 133cm/6'1" x 4'4"	190cm x 133cm/6'3" x 4'4"
	178cm x 62cm/5'10" x 2'0"			
	169cm x 59cm/5'7" x 1'11"			
	181cm x 57cm/5'11" x 1'10"			
	181cm x 57cm/5'11" x 1'10"			

Bed Sizes: Please note that the front double bed sizes quoted are for seating configurations without chest of drawers. The front double bed width for a layout with a chest of drawers fitted will be reduced by 0.4m(1'4") from that stated.

Awning sizes: Due to the varying awning designs and sizes the awning sizes given are approximate only. Specific awning sizes must be confirmed by your dealer or the awning manufacturer prior to purchase.

*Estimated weight or bed size

**The dimensions given are approximate due to slight variations in suspension ride heights, loading conditions and tyre pressures.

Customers should verify the actual dimensions of their touring caravan before committing to anything that could be impacted by these dimensions

Please note: Any dealer fit options will reduce the overall payload available to the user of the caravan.

If you require additional payload it is possible to upgrade the MTPLM to the upper limit. Please contact your caravan dealer for more information.

Dealer Special specifications based on Challenger with Truma

Based on	Challenger 480	Challenger 530	Challenger 560
Dealer			
Wandahome	Corniche 16/2	Corniche 17/4	Corniche 19/4
Berths	2	4	4
Axles	1	1	1
Internal Length (bed box height)	4.95m/16'3"	5.29m/17'4"	5.83m/19'2"
Overall Width**	2.23m/7'4"	2.23m/7'4"	2.23m/7'4"
Overall Height (inc. TV Aerial)**	2.61m/8'7"	2.61m/8'7"	2.61m/8'7"
Maximum Internal Headroom	1.95m/6'5"	1.95m/6'5"	1.95m/6'5"
Overall Length**	6.66m/21'10"	7.00m/23'0"	7.54m/24'9"
Awning A/A dimension	9.32m/30'7"	9.66m/31'8"	10.20m/33'6"
Mass in Running Order (inc. tolerance)	1265kg/24.9cwt	1336kg/26.3cwt	1423kg/28.0cwt
Maximum Technical Permissible Laden Mass (Lower limit)	1392kg/27.4cwt	1487kg/29.3cwt	1579kg/31.1cwt
Maximum Technical Permissible Laden Mass (Upper limit)	1500kg/29.5cwt	1550kg/30.5cwt	1600kg/31.5cwt
Total user Payload	127kg/2.5cwt	151kg/3.0cwt	156kg/3.1cwt
Personal Effects	127kg/2.5cwt	151kg/3.0cwt	156kg/3.1cwt
Options	0kg/0cwt	0kg/0cwt	0kg/0cwt
Tyre Size	185 R14C 102Q	185 R14C 102Q	185 R14C 102Q
Tyre pressure at Lower limit MTPLM	4.0 bar / 58 psi	4.3 bar / 62 psi	4.5 bar / 65 psi
Tyre pressure at Upper limit MTPLM	4.4 bar / 64 psi	4.5 bar / 65 psi	4.5 bar / 65 psi
Static Load on Coupling Head	100kg	100kg	100kg
Thermal Insulation Grade	THREE	THREE	THREE
Bed Sizes			
Front Double	202cm x 186cm/6'8" x 6'1"	202cm x 176cm/6'8" x 5'9"	202cm x 156cm/6'8" x 5'1"
or Front Nearside Single	196cm x 72cm/6'4" x 2'4"	176cm x 72cm/5'9" x 2'4"	156cm x 72cm/5'1" x 2'4"
and Front Offside Single	186cm x 72cm/6'1" x 2'4"	186cm x 72cm/6'1" x 2'4"	156cm x 72cm/5'1" x 2'4"
Rear Double			190cm x 133cm/6'3" x 4'4"
Side Single (offside)		180cm x 62cm/5'11" x 2'0"	
Side Single (nearside)			
Side Bunk (offside)		176cm x 59cm/5'9" x 1'11"	
Side Bunk (nearside)			
Side Fixed Lower Bunk			
Side Fixed Upper Bunk			

Masses: The masses are calculated in accordance to EU regulation 1230/2012 and NCC code of practice 304.

The Mass in Running Order (MRO) comprises:

- The mass of the empty caravan as supplied by Swift including loose items such as the hook-up cable, kit bag, entrance step, manuals etc.
- 10kg allowance for LPG (20kg if auto change over regulator fitted).

The MRO is calculated with the fresh water tank, toilet flush tank and water heater empty. If you travel with water in the fresh water tank, toilet flush tank and the water heater the payload will reduce accordingly.

The personal effects is based on the number of berths and the length of the caravan and includes an allowance of 20kg for a leisure battery.

The Maximum Technical Laden Mass (MTPLM) is the maximum mass allowed when the caravan is fully laden.

WARNING: Under no circumstances should the MTPLM be exceeded

Challenger 565	Challenger 580	Challenger 635	Challenger 650
Corniche 18/4	Corniche 20/4	Corniche 21/4	Corniche 23/4
4	4	4	4
1	1	2	2
5.60m/18'4"	5.83m/19'2"	6.27m/20'7"	6.27m/20'7"
2.23m/7'4"	2.23m/7'4"	2.23m/7'4"	2.23m/7'4"
2.61m/8'7"	2.61m/8'7"	2.61m/8'7"	2.61m/8'7"
1.95m/6'5"	1.95m/6'5"	1.95m/6'5"	1.95m/6'5"
7.31m/24'0"	7.54m/24'9"	7.98m/26'2"	7.98m/26'2"
9.97m/32'9"	10.20m/33'6"	10.64m/34'11"	10.64m/34'11"
1368kg/26.9cwt*	1374kg/27.0cwt	1554kg/30.6cwt	1561kg/30.7cwt
1522kg/30.0cwt*	1530kg/30.1cwt	1714kg/33.7cwt	1721kg/33.9cwt
1550kg/30.5cwt	1550kg/30.5cwt	2000kg/39.4cwt	2000kg/39.4cwt
154kg/3.0cwt	156kg/3.1cwt	160kg/3.1cwt	160kg/3.1cwt
154kg/3.0cwt	156kg/3.1cwt	160kg/3.1cwt	160kg/3.1cwt
0kg/0cwt	0kg/0cwt	0kg/0cwt	0kg/0cwt
185 R14C 102Q	185 R14C 102Q	185/70 R14 88T	185/70 R14 88T
4.5 bar / 65 psi	4.5 bar / 65 psi	2.1 bar / 30 psi	2.1 bar / 30 psi
4.5 bar / 65 psi	4.5 bar / 65 psi	2.5 bar / 36 psi	2.5 bar / 36 psi
100kg	100kg	100kg	100kg
THREE	THREE	THREE	THREE
202cm x 156cm/6'8" x 5'1"	202cm x 156cm/6'8" x 5'1"	202cm x 156cm/6'8" x 5'1"	202cm x 156cm/6'8" x 5'1"
156cm x 72cm/5'1" x 2'4"	156cm x 72cm/5'1" x 2'4"	156cm x 72cm/5'1" x 2'4"	156cm x 72cm/5'1" x 2'4"
156cm x 72cm/5'1" x 2'4"	156cm x 72cm/5'1" x 2'4"	156cm x 72cm/5'1" x 2'4"	186cm x 72cm/6'1" x 2'4"
	185cm x 133cm/6'1" x 4'4"	185cm x 133cm/6'1" x 4'4"	190cm x 133cm/6'3" x 4'4"
192cm x 68cm/6'4" x 2'3"			
183cm x 73cm/6'0" x 2'5"			

Bed Sizes : Please note that the front double bed sizes quoted are for seating configurations without chest of drawers. The front double bed width for a layout with a chest of drawers fitted will be reduced by 0.4m(1'4") from that stated.

Awning sizes: Due to the varying awning designs and sizes the awning sizes given are approximate only. Specific awning sizes must be confirmed by your dealer or the awning manufacturer prior to purchase.

*Estimated weight or bed size

**The dimensions given are approximate due to slight variations in suspension ride heights, loading conditions and tyre pressures.

Customers should verify the actual dimensions of their touring caravan before committing to anything that could be impacted by these dimensions

Please note: Any dealer fit options will reduce the overall payload available to the user of the caravan.

If you require additional payload it is possible to upgrade the MTPLM to the upper limit. Please contact your caravan dealer for more information.

Dealer Special specification based on Elegance

Based on	Elegance 480	Elegance 530	Elegance 560	Elegance 565
Dealer				
Couplands	Bessacarr by Design 495	Bessacarr by Design 525	Bessacarr by Design 560	Bessacarr by Design 565
3A's	Spectrum 480	Spectrum 530	Spectrum 560	Spectrum 565
Berths	2	4	4	4
Axles	1	1	1	1
Internal Length (bed box height)	4.98m/16'4"	5.45m/17'11"	5.93m/19'5"	5.93m/19'5"
Overall Width*	2.28m/7'6"	2.28m/7'6"	2.28m/7'6"	2.28m/7'6"
Overall Height (inc. TV Aerial)*	2.59m/8'6"	2.59m/8'6"	2.59m/8'6"	2.59m/8'6"
Maximum Internal Headroom	1.95m/6'5"	1.95m/6'5"	1.95m/6'5"	1.95m/6'5"
Overall Length*	6.59m/21'7"	7.07m/23'2"	7.54m/24'9"	7.54m/24'9"
Awning A/A dimension	9.04m/29'8"	9.58m/31'5"	10.05m/33'0"	10.05m/33'0"
Mass in Running Order (inc. tolerance)	1411kg/27.8cwt	1524kg/30.0cwt *	1578kg/31.1cwt *	1575kg/31.0cwt *
Maximum Technical Permissible Laden Mass (Lower limit)	1537kg/30.3cwt	1675kg/33.0cwt *	1734kg/34.1cwt *	1731kg/34.1cwt *
Maximum Technical Permissible Laden Mass (Upper limit)	1750kg/34.4cwt	1800kg/35.4cwt	1800kg/35.4cwt	1700kg/33.5cwt
Total user Payload	126kg/2.5cwt	151kg/3.0cwt	156kg/3.1cwt	156kg/3.1cwt
Personal Effects	126kg/2.5cwt	151kg/3.0cwt	156kg/3.1cwt	156kg/3.1cwt
Options	0.0kg/0.0cwt	0.0kg/0.0cwt	0.0kg/0.0cwt	0.0kg/0.0cwt
Tyre Size	195/70 R15C 104 R	205/70 R15C 106 R	205/70 R15C 106 R	205/70 R15C 106 R
Tyre pressure at Lower limit MTPLM	4.2 bar / 61 psi	4.5 bar / 65 psi	4.5 bar / 65 psi	4.5 bar / 65 psi
Tyre pressure at Upper limit MTPLM	4.5 bar / 65 psi	4.5 bar / 65 psi	4.5 bar / 65 psi	4.5 bar / 65 psi
Static Load on Coupling Head	100kg	100kg	100kg	100kg
Thermal Insulation Grade	THREE	THREE	THREE	THREE
Bed Sizes				
Front Double	200cm x 178cm/6'7" x 5'10"	200cm x 178cm/6'7" x 5'10"	200cm x 153cm/6'7" x 5'0"	200cm x 163cm/6'7" x 5'4"
or Front Nearside Single	188cm x 67cm/6'2" x 2'2"	178cm x 67cm/5'10" x 2'2"	153cm x 67cm/5'0" x 2'2"	163cm x 67cm/5'4" x 2'2"
and Front Offside Single	178cm x 67cm/5'10" x 2'2"	188cm x 67cm/6'2" x 2'2"	163cm x 67cm/5'4" x 2'2"	163cm x 67cm/5'4" x 2'2"
Rear Double			190cm x 133cm/6'3" x 4'4"	
Rear Bunk				
Side Single (offside)		180cm x 62cm/5'11" x 2'0"		172cm x 75cm/5'8" x 2'6"
Side Single (nearside)				190cm x 75cm/6'3" x 2'6"
Side Bunk (offside)		176cm x 59cm/5'9" x 1'11"		

Masses: The masses are calculated in accordance to EU regulation 1230/2012 and NCC code of practice 304.

The Mass in Running Order (MRO) comprises:

- The mass of the empty caravan as supplied by Swift including loose items such as the hook-up cable, kit bag, entrance step, manuals etc.
- 10kg allowance for LPG (20kg if auto change over regulator fitted).

The MRO is calculated with the fresh water tank, toilet flush tank and water heater empty. If you travel with water in the fresh water tank, toilet flush tank and the water heater the payload will reduce accordingly.

The personal effects is based on the number of berths and the length of the caravan and includes an allowance of 20kg for a leisure battery.

The Maximum Technical Laden Mass (MTPLM) is the maximum mass allowed when the caravan is fully laden.

WARNING: Under no circumstances should the MTPLM be exceeded

Elegance 580	Elegance 635	Elegance 645	Elegance 650
Bessacarr by Design 580	Bessacarr by Design 635	Bessacarr by Design 645	Bessacarr by Design 650
Spectrum 580			Spectrum 650
4	4	4	4
1	2	2	2
5.93m/19'5"	6.36m/20'10"	6.36m/20'10"	6.36m/20'10"
2.28m/7'6"	2.28m/7'6"	2.28m/7'6"	2.28m/7'6"
2.59m/8'6"	2.59m/8'6"	2.59m/8'6"	2.59m/8'6"
1.95m/6'5"	1.95m/6'5"	1.95m/6'5"	1.95m/6'5"
7.54m/24'9"	7.98m/26'2"	7.98m/26'2"	7.98m/26'2"
10.05m/33'0"	10.49m/34'5"	10.49m/34'5"	10.49m/34'5"
1565kg/30.8cwt	1720kg/33.9cwt *	1683kg/33.1cwt *	1720kg/33.9cwt *
1721kg/33.9cwt	1880kg/37.0cwt *	1843kg/36.3cwt *	1880kg/37.0cwt *
1800kg/35.4cwt	2000kg/39.4cwt	2000kg/39.4cwt	2000kg/39.4cwt
156kg/3.1cwt	160kg/3.1cwt	160kg/3.1cwt	160kg/3.1cwt
156kg/3.1cwt	160kg/3.1cwt	160kg/3.1cwt	160kg/3.1cwt
0.0kg/0.0cwt	0.0kg/0.0cwt	0.0kg/0.0cwt	0.0kg/0.0cwt
205/70 R15C 106 R	185/70 R14 88 T	185/70 R14 88 T	185/70 R14 88 T
4.5 bar / 65 psi	2.3 bar / 33 psi	2.3 bar / 33 psi	2.3 bar / 33 psi
4.5 bar / 65 psi	2.5 bar / 36 psi	2.5 bar / 36 psi	2.5 bar / 36 psi
100kg	100kg	100kg	100kg
THREE	THREE	THREE	THREE
200cm x 163cm/6'7" x 5'4"	200cm x 153cm/6'7" x 5'0"	200cm x 163cm/6'7" x 5'4"	200cm x 153cm/6'7" x 5'0"
163cm x 67cm/5'4" x 2'2"	153cm x 67cm/5'0" x 2'2"	163cm x 67cm/5'4" x 2'2"	153cm x 67cm/5'0" x 2'2"
163cm x 67cm/5'4" x 2'2"	153cm x 67cm/5'0" x 2'2"	163cm x 67cm/5'4" x 2'2"	188cm x 67cm/6'2" x 2'2"
182cm x 133cm/6'0" x 4'4"	182cm x 133cm/6'0" x 4'4"	182cm x 133cm/6'0" x 4'4"	190cm x 133cm/6'3" x 4'4"

Bed Sizes : Please note that the front double bed sizes quoted are for seating configurations without chest of drawers. The front double bed width for a layout with a chest of drawers fitted will be reduced by 0.4m(1'4") from that stated.

Awning sizes: Due to the varying awning designs and sizes the awning sizes given are approximate only. Specific awning sizes must be confirmed by your dealer or the awning manufacturer prior to purchase.

*Estimated weight or bed size

**The dimensions given are approximate due to slight variations in suspension ride heights, loading conditions and tyre pressures.

Customers should verify the actual dimensions of their touring caravan before committing to anything that could be impacted by these dimensions

Please note: Any dealer fit options will reduce the overall payload available to the user of the caravan.

If you require additional payload it is possible to upgrade the MTPLM to the upper limit. Please contact your caravan dealer for more information.

Dealer Special specification based on Elegance Grande

Based on	Elegance Grande 635	Elegance Grande 645	Elegance Grande 655
Dealer			
Couplands	Bessacarr by Design 835	Bessacarr by Design 845	Bessacarr by Design 855
3A's	Spectrum Excel 635	Spectrum Excel 645	Spectrum Excel 655
Berths	4	4	6
Axles	2	2	2
Internal Length (bed box height)	6.36m/20'10"	6.36m/20'10"	6.36m/20'10"
Overall Width*	2.45m/8'0"	2.45m/8'0"	2.45m/8'0"
Overall Height (inc. TV Aerial)*	2.59m/8'6"	2.59m/8'6"	2.59m/8'6"
Maximum Internal Headroom	1.95m/6'5"	1.95m/6'5"	1.95m/6'5"
Overall Length*	7.97m/26'2"	7.97m/26'2"	7.97m/26'2"
Awning A/A dimension	10.49m/34'5"	10.49m/34'5"	10.49m/34'5"
Mass in Running Order (inc. tolerance)	1775kg/34.9cwt	1745kg/34.3cwt	1820kg/35.8cwt *
Maximum Technical Permissible Laden Mass (Lower limit)	1935kg/38.1cwt	1905kg/37.5cwt	2000kg/39.4cwt
Maximum Technical Permissible Laden Mass (Upper limit)	2000kg/39.4cwt	2000kg/39.4cwt	2000kg/39.4cwt
Total user Payload	160kg/3.1cwt	160kg/3.1cwt	180kg/3.5cwt
Personal Effects	160kg/3.1cwt	160kg/3.1cwt	180kg/3.5cwt
Options	0.0kg/0.0cwt	0.0kg/0.0cwt	0.0kg/0.0cwt
Tyre Size	185/70 R14 88 T	185/70 R14 88 T	185/70 R14 88 T
Tyre pressure at Lower limit MTPLM	2.4 bar / 35 psi	2.3 bar / 33 psi	2.5 bar / 36 psi
Tyre pressure at Upper limit MTPLM	2.5 bar / 36 psi	2.5 bar / 36 psi	2.5 bar / 36 psi
Static Load on Coupling Head	100kg	100kg	100kg
Thermal Insulation Grade	THREE	THREE	THREE
Bed Sizes			
Front Double	218cm x 153cm/7'2" x 5'0"	218cm x 153cm/7'2" x 5'0"	194cm x 137cm/ 6'4" x 4'6"
Side Double drop down or Front Nearside Single and Front Offside Single	153cm x 70cm/5'0" x 2'4"	153cm x 70cm/5'0" x 2'4"	185cm x 135cm/6'0" x 4'5"
Rear Double	182cm x 133cm/6'0" x 4'4"	182cm x 133cm/6'0" x 4'4"	
Rear Bunk			
Side Fixed Lower Bunk Single (nearside)			180cm x 79cm/ 5'10" x 2'7"
Side Fixed Upper Bunk Single (nearside)			180cm x 82cm/ 5'10" x 2'8"

Masses: The masses are calculated in accordance to EU regulation 1230/2012 and NCC code of practice 304.

The Mass in Running Order (MRO) comprises:

1. The mass of the empty caravan as supplied by Swift including loose items such as the hook-up cable, kit bag, entrance step, manuals etc.
2. 10kg allowance for LPG (20kg if auto change over regulator fitted).

The MRO is calculated with the fresh water tank, toilet flush tank and water heater empty. If you travel with water in the fresh water tank, toilet flush tank and the water heater the payload will reduce accordingly.

The personal effects is based on the number of berths and the length of the caravan and includes an allowance of 20kg for a leisure battery.

The Maximum Technical Laden Mass (MTPLM) is the maximum mass allowed when the caravan is fully laden.

WARNING: Under no circumstances should the MTPLM be exceeded

Bed Sizes : Please note that the front double bed sizes quoted are for seating configurations without chest of drawers. The front double bed width for a layout with a chest of drawers fitted will be reduced by 0.4m(1'4") from that stated.

Awning sizes: Due to the varying awning designs and sizes the awning sizes given are approximate only. Specific awning sizes must be confirmed by your dealer or the awning manufacturer prior to purchase.

*Estimated weight or bed size

**The dimensions given are approximate due to slight variations in suspension ride heights, loading conditions and tyre pressures.

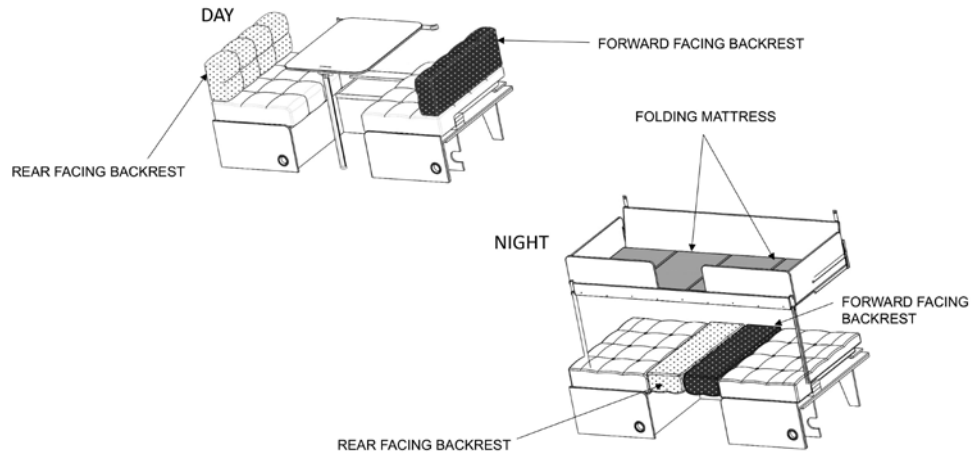
Customers should verify the actual dimensions of their touring caravan before committing to anything that could be impacted by these dimensions

Please note: Any dealer fit options will reduce the overall payload available to the user of the caravan.

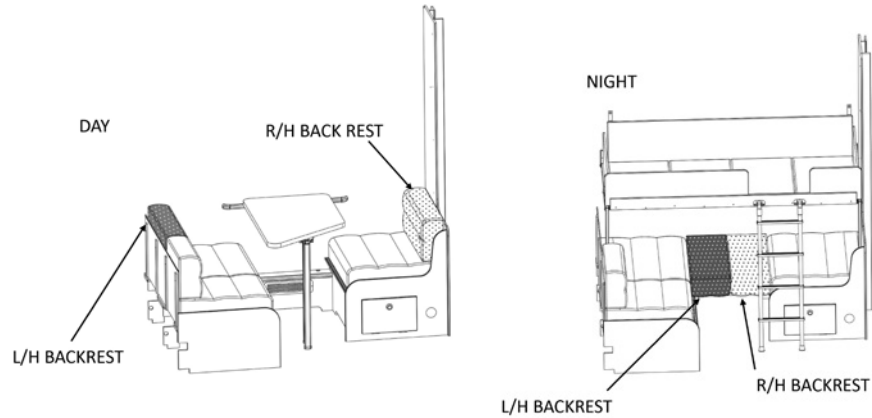
If you require additional payload it is possible to upgrade the MTPLM to the upper limit. Please contact your caravan dealer for more information.

Bed make up

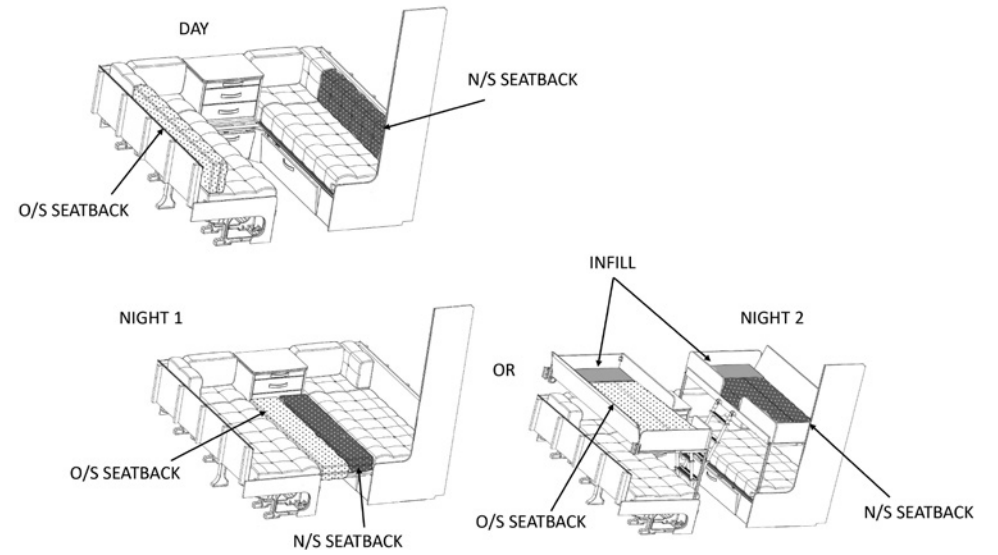
Bed make up in Sprite Major 6, Quattro EW, Eccles 530, Challenger 530 and Elegance 530 mid bed



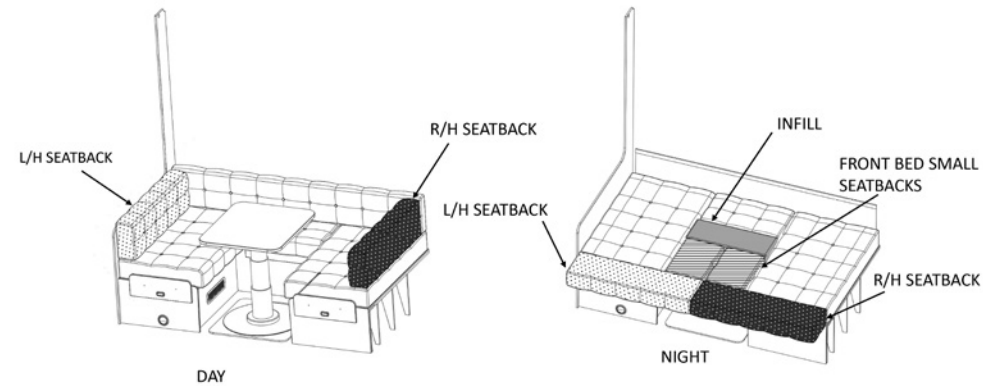
Bed make up in Sprite Major 6TD, Challenger 590 and Eccles 590 rear bunk



Bed make up in Sprite Quattro DD

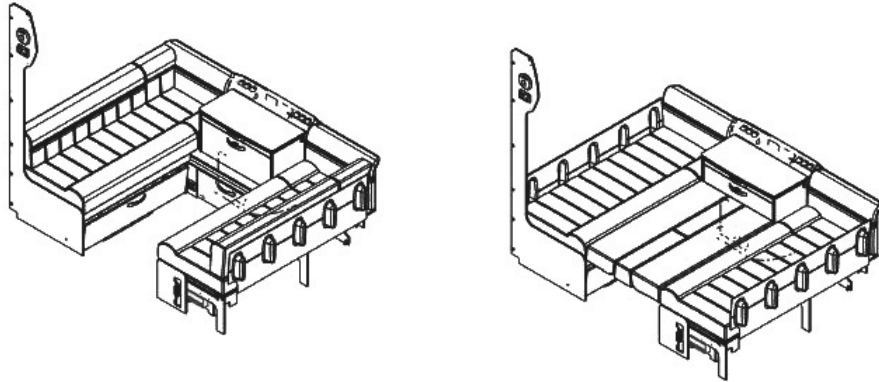


Bed make up in Sprite Super mid bed

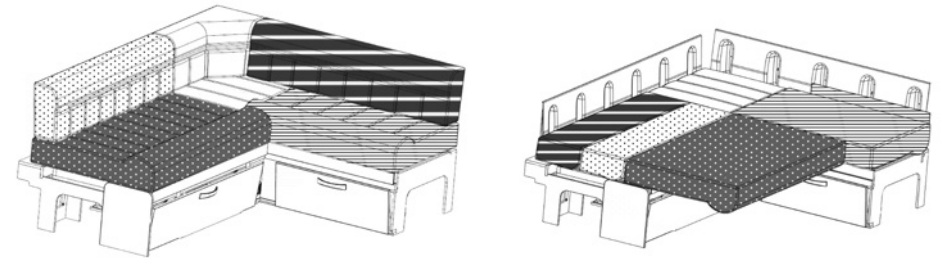


Bed make up

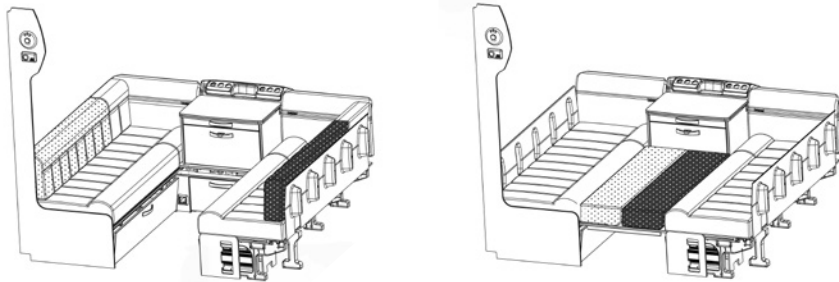
Bed make up in Sprite Super and Elegance Grande



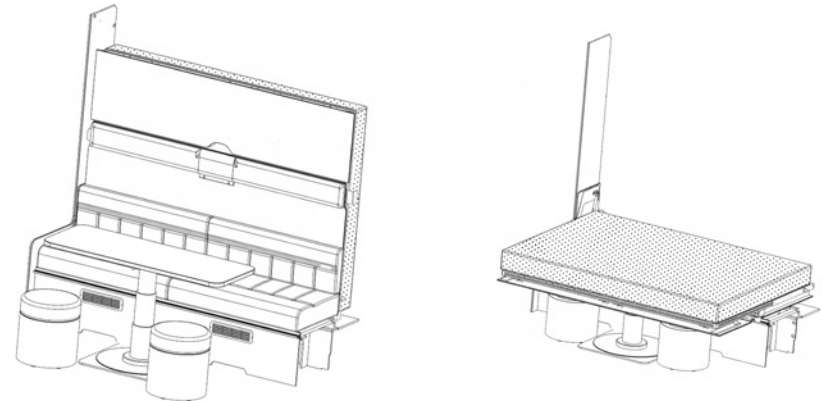
Bed make up in Elegance Grande 655 front bed



Bed make up in all caravan front dinette beds except Sprite Quattro EW and Elegance Grande 655



Bed make up in Elegance Grande 655 pull down bed



Bed make up

Bed make up in Sprite Quattro EW front bed

