



Swift Group, Dunswell Road, Cottingham,
East Yorkshire HU16 4JS.
Tel: 01482 875740 Fax: 01482 840082
email: enquiry@swiftgroup.co.uk
www.swiftgroup.co.uk

1091961
Issued February 2011



Kon-Tiki / E700 Series

Specification, wiring diagrams and bulb chart





CONTENTS

Standard Specifications	2
Optional Specifications	3
Capacities	5
Towing Capabilities	6
Jacking	7
Wiring Diagrams	8
Bulb Replacement	15

Standard Specifications

Model	Kon-Tiki 659 / E749	Kon-Tiki 669 / E769	Kon-Tiki 669 / E769	Kon-Tiki 679 / E789	Kon-Tiki 679 / E789	Kon-Tiki 649 / E799	Kon-Tiki 649 / E799
Roof Profile	Low Line	Low Line	High Line	Low Line	High Line	Low Line	High Line
Engine	Fiat '160 MultiJet' diesel	Fiat '160 MultiJet' diesel	Fiat '160 MultiJet' diesel	Fiat '160 MultiJet' diesel	Fiat '160 MultiJet' diesel	Fiat '160 MultiJet' diesel	Fiat '160 MultiJet' diesel
Engine Capacity	2999cc	2999cc	2999cc	2999cc	2999cc	2999cc	2999cc
Engine Power	157bhp	157bhp	157bhp	157bhp	157bhp	157bhp	157bhp
Torque	400Nm	400Nm	400Nm	400Nm	400Nm	400Nm	400Nm
Chassis	Fiat AL-KO low line	Fiat AL-KO low line	Fiat AL-KO low line	Fiat AL-KO low line	Fiat AL-KO low line	Fiat AL-KO low line	Fiat AL-KO low line
Wheel base	4.60m /15' 1"- 0.80m/2' 7"	4.60m /15' 1"- 0.80m/2' 7"	4.60m /15' 1"- 0.80m/2' 7"	4.60m /15' 1"- 0.80m/2' 7"	4.60m /15' 1"- 0.80m/2' 7"	4.60m /15' 1"- 0.80m/2' 7"	4.60m /15' 1"- 0.80m/2' 7"
Designated Passenger Seats	1	3	3	3	3	3	3
Berths (sleeping positions)	4	4	6	4	6	4	6
Overall Length	8.67m/ 28' 5"	8.67m/ 28' 5"	8.67m/ 28' 5"	8.67m/ 28' 5"	8.67m/ 28' 5"	8.67m/ 28' 5"	8.67m/ 28' 5"
Overall Width (mirrors folded)	2.35m/ 7' 8"	2.35m/ 7' 8"	2.35m/ 7' 8"	2.35m/ 7' 8"	2.35m/ 7' 8"	2.35m/ 7' 8"	2.35m/ 7' 8"
Overall Height	3.09m/ 10' 2"	3.09m/ 10' 2"	3.09m/ 10' 2"	3.09m/ 10' 2"	3.09m/ 10' 2"	3.09m/ 10' 2"	3.09m/ 10' 2"
Maximum Technical Permissible Laden Mass (A)	5000kg	5000kg	5000kg	5000kg	5000kg	5000kg	5000kg
Mass in Running Order (B)†	4085kg	4228kg	4288kg	4293kg	4353kg	4320kg	4380kg
Maximum User Payload (A-B)	915kg	772kg	712kg	707kg	647kg	680kg	620kg
Unladen Weight	3766kg	3909kg	3969kg	3974kg	4034kg	4001kg	4061kg
Essential Habitation Equipment	17kg	17kg	17kg	17kg	17kg	17kg	17kg
Thermal Insulation Grade	THREE	THREE	THREE	THREE	THREE	THREE	THREE
Bed Sizes							
Front Double	2.13m x 1.38m/ 7'0" x 4'6"	2.13m x 1.38cm/ 7'0" x 4'6"	2.13m x 1.38cm/ 7'0" x 4'6"	2.13m x 1.38cm/ 7'0" x 4'6"	2.13m x 1.38cm/ 7'0" x 4'6"	2.13m x 1.38cm/ 7'0" x 4'6"	2.13m x 1.38cm/ 7'0" x 4'6"
Front Offside Single		1.80m x 0.67m/ 5'11" x 2'2"	1.80m x 0.67m/ 5'11" x 2'2"	1.80m x 0.67m/ 5'11" x 2'2"	1.80m x 0.67m/ 5'11" x 2'2"	1.90m x 1.02m/ 6'3" x 3'4"	1.90m x 1.02m/ 6'3" x 3'4"
Rear Double	1.89m x 1.35m/ 6'2" x 4'5"	1.86m x 1.32m/ 6'1" x 4'4"	1.86m x 1.32m/ 6'1" x 4'4"	2.13m x 1.30m/ 7'0" x 4'3"	2.13m x 1.30m/ 7'0" x 4'3"	2.13m x 1.40m/ 7'0" x 4'7"	2.13m x 1.40m/ 7'0" x 4'7"
Rear Offside Single						1.88m x 0.73m/ 6'2" x 2'5"	1.88m x 0.73m/ 6'2" x 2'5"
Rear Nearside Single						1.93m x 0.73m/ 6'4" x 2'5"	1.93m x 0.73m/ 6'4" x 2'5"
Overcab Bed			1.91m x 1.37m/ 6'3" x 4'6"		1.91m x 1.37m/ 6'3" x 4'6"		1.91m x 1.37m/ 6'3" x 4'6"

- NOTE:**
- The **Maximum User Payload** includes:
 - the **conventional load** (this is the allowance for passengers)
 - essential habitation equipment** (items and fluids required for safe and proper functioning of habitation equipment)
 - optional equipment** (items available from the manufacturer over and above the standard specification)
 - personal effects** (those items not covered by the above)
 - The **Mass in Running Order** is the mass of the unladen vehicle including a 75kg allowance for the driver plus engine coolants and 90% of the fuel tank, water tank and gas capacity.
- PLEASE TAKE CARE TO ENSURE THAT YOU HAVE ALLOWED FOR THE MASSES OF ALL ITEMS YOU INTEND TO CARRY IN THE MOTOR CARAVAN, e.g. passengers, optional equipment, essential habitation equipment and personal effects, such as clothing, food, pets, bicycles, sailboards, sports equipment etc.
- WARNING** - UNDER NO CIRCUMSTANCES SHOULD THE MAXIMUM TECHNICAL PERMISSIBLE LADEN MASS OF THIS MOTOR CARAVAN BE EXCEEDED.
- * For optional roof ladder (add 200mm).

Optional Specifications

Model	Kon-Tiki 659 / E749	Kon-Tiki 669 / E769	Kon-Tiki 669 / E769
Roof Profile	Low Line	Low Line	High Line
Engine	Fiat '160 MultiJet' diesel Auto	Fiat '160 MultiJet' diesel Auto	Fiat '160 MultiJet' diesel Auto
Engine Capacity	2999cc	2999cc	2999cc
Engine Power	157bhp	157bhp	157bhp
Torque	400Nm	400Nm	400Nm
Chassis	Fiat AL-KO low line	Fiat AL-KO low line	Fiat AL-KO low line
Wheel base	4.60m /15' 1"- 0.80m/2' 7"	4.60m /15' 1"- 0.80m/2' 7"	4.60m /15' 1"- 0.80m/2' 7"
Designated Passenger Seats	1	3	3
Berths (sleeping positions)	4	4	6
Overall Length	8.67m/ 28' 5"	8.67m/ 28' 5"	8.67m/ 28' 5"
Overall Width (mirrors folded)	2.35m/ 7' 8"	2.35m/ 7' 8"	2.35m/ 7' 8"
Overall Height	3.09m/ 10' 2"	3.09m/ 10' 2"	3.09m/ 10' 2"
Maximum Technical Permissible Laden Mass (A)	5000kg	5000kg	5000kg
Mass in Running Order (B)†	4102kg	4245kg	4305kg
Maximum User Payload (A-B)	898kg	755kg	695kg
Unladen Weight	3783kg	3926kg	3986kg
Essential Habitation Equipment	17kg	17kg	17kg
Thermal Insulation Grade	THREE	THREE	THREE
Bed Sizes			
Front Double	2.13m x 1.38m/ 7'0" x 4'6"	2.13m x 1.38cm/ 7'0" x 4'6"	2.13m x 1.38cm/ 7'0" x 4'6"
Front Offside Single		1.80m x 0.67m/ 5'11 x 2'2"	1.80m x 0.67m/ 5'11 x 2'2"
Rear Double	1.89m x 1.35m/ 6'2" x 4'5"	1.86m x 1.32m/ 6'1" x 4'4"	1.86m x 1.32m/ 6'1" x 4'4"
Rear Offside Single			
Rear Nearside Single			
Overcab Bed			1.91m x 1.37m/ 6'3" x 4'6"

- NOTE:**
- The **Maximum User Payload** includes:
 - the **conventional load** (this is the allowance for passengers)
 - essential habitation equipment** (items and fluids required for safe and proper functioning of habitation equipment)
 - optional equipment** (items available from the manufacturer over and above the standard specification)
 - personal effects** (those items not covered by the above)
 - The **Mass in Running Order** is the mass of the unladen vehicle including a 75kg allowance for the driver plus engine coolants and 90% of the fuel tank, water tank and gas capacity. PLEASE TAKE CARE TO ENSURE THAT YOU HAVE ALLOWED FOR THE MASSES OF ALL ITEMS YOU INTEND TO CARRY IN THE MOTOR CARAVAN, e.g. passengers, optional equipment, essential habitation equipment and personal effects, such as clothing, food, pets, bicycles, sailboards, sports equipment etc.
 - WARNING** - UNDER NO CIRCUMSTANCES SHOULD THE MAXIMUM TECHNICAL PERMISSIBLE LADEN MASS OF THIS MOTOR CARAVAN BE EXCEEDED.

Optional Specifications

Model	Kon-Tiki 679 / E789	Kon-Tiki 679 / E789	Kon-Tiki 649 / E799	Kon-Tiki 649 / E799
Roof Profile	Low Line	High Line	Low Line	High Line
Engine	Fiat '160 MultiJet' diesel Auto	Fiat '160 MultiJet' diesel Auto	Fiat '160 MultiJet' diesel Auto	Fiat '160 MultiJet' diesel Auto
Engine Capacity	2999cc	2999cc	2999cc	2999cc
Engine Power	157bhp	157bhp	157bhp	157bhp
Torque	400Nm	400Nm	400Nm	400Nm
Chassis	Fiat AL-KO low line	Fiat AL-KO low line	Fiat AL-KO low line	Fiat AL-KO low line
Wheel base	4.60m /15' 1"- 0.80m/2' 7"	4.60m /15' 1"- 0.80m/2' 7"	4.60m /15' 1"- 0.80m/2' 7"	4.60m /15' 1"- 0.80m/2' 7"
Designated Passenger Seats	3	3	3	3
Berths (sleeping positions)	4	6	4	6
Overall Length	8.67m/ 28' 5"	8.67m/ 28' 5"	8.67m/ 28' 5"	8.67m/ 28' 5"
Overall Width (mirrors folded)	2.35m/ 7' 8"	2.35m/ 7' 8"	2.35m/ 7' 8"	2.35m/ 7' 8"
Overall Height	3.09m/ 10' 2"	3.09m/ 10' 2"	3.09m/ 10' 2"	3.09m/ 10' 2"
Maximum Technical Permissible Laden Mass (A)	5000kg	5000kg	5000kg	5000kg
Mass in Running Order (B)†	4310kg	4370kg	4337kg	4397kg
Maximum User Payload (A-B)	690kg	630kg	663kg	603kg
Unladen Weight	3991kg	4051kg	4018kg	4078kg
Essential Habitation Equipment	17kg	17kg	17kg	17kg
Thermal Insulation Grade	THREE	THREE	THREE	THREE
Bed Sizes				
Front Double	2.13m x 1.38cm/ 7'0" x 4'6"	2.13m x 1.38cm/ 7'0" x 4'6"	2.13m x 1.38cm/ 7'0" x 4'6"	2.13m x 1.38cm/ 7'0" x 4'6"
Front Offside Single	1.80m x 0.67m/ 5'11 x 2'2"	1.80m x 0.67m/ 5'11 x 2'2"	1.90m x 1.02m/ 6'3" x 3'4"	1.90m x 1.02m/ 6'3" x 3'4"
Rear Double	2.13m x 1.30m/ 7'0" x 4'3"	2.13m x 1.30m/ 7'0" x 4'3"	2.13m x 1.40m/ 7'0" x 4'7"	2.13m x 1.40m/ 7'0" x 4'7"
Rear Offside Single			1.88m x 0.73m/ 6'2" x 2'5"	1.88m x 0.73m/ 6'2" x 2'5"
Rear Nearside Single			1.93m x 0.73m/ 6'4" x 2'5"	1.93m x 0.73m/ 6'4" x 2'5"
Overcab Bed		1.91m x 1.37m/ 6'3" x 4'6"		1.91m x 1.37m/ 6'3" x 4'6"

- NOTE:**
- The **Maximum User Payload** includes:
 - the **conventional load** (this is the allowance for passengers)
 - essential habitation equipment** (items and fluids required for safe and proper functioning of habitation equipment)
 - optional equipment** (items available from the manufacturer over and above the standard specification)
 - personal effects** (those items not covered by the above)
 - The **Mass in Running Order** is the mass of the unladen vehicle including a 75kg allowance for the driver plus engine coolants and 90% of the fuel tank, water tank and gas capacity. PLEASE TAKE CARE TO ENSURE THAT YOU HAVE ALLOWED FOR THE MASSES OF ALL ITEMS YOU INTEND TO CARRY IN THE MOTOR CARAVAN, e.g. passengers, optional equipment, essential habitation equipment and personal effects, such as clothing, food, pets, bicycles, sailboards, sports equipment etc.
 - WARNING** - UNDER NO CIRCUMSTANCES SHOULD THE MAXIMUM TECHNICAL PERMISSIBLE LADEN MASS OF THIS MOTOR CARAVAN BE EXCEEDED.

Water Tank Capacities

	Fresh Water Tank	Waste Water Tank	Water Heater	Toilet Tank (Flushing)
Kon-Tiki / E700 Series	125 litre	100 litre	12 litre	7 litre

Gas Capacities

	Capacity
Kon-Tiki / E700 Series	2 x 13kg

The above are recommended gas bottle sizes

NOTICE

For technical data on the base vehicle please refer to manufacturer's handbook

Towing Capabilities

Swift Kon-Tiki / E700 Series Towing Capabilities

Model	Engine / Chassis	MTPLM	Permissible Front Axle Load	Permissible Rear Axle Load	Recommended Maximum Trailer Weight	Gross Train Weight
Kon-Tiki 659 / E749 (L)	160 MJ (3.0L) / ABS	5000kg	2100kg	2 x 1500kg	1000kg < 1600kg	6000kg
Kon-Tiki 659 / E749 (L)	160 MJ (3.0L) / ABS / AUTO	5000kg	2100kg	2 x 1500kg	1000kg < 1600kg	6000kg
Kon-Tiki 669 / E769 (L)	160 MJ (3.0L) / ABS	5000kg	2100kg	2 x 1500kg	1000kg < 1600kg	6000kg
Kon-Tiki 669 / E769 (L)	160 MJ (3.0L) / ABS / AUTO	5000kg	2100kg	2 x 1500kg	1000kg < 1600kg	6000kg
Kon-Tiki 669 / E769 (H)	160 MJ (3.0L) / ABS	5000kg	2100kg	2 x 1500kg	1000kg < 1600kg	6000kg
Kon-Tiki 669 / E769 (H)	160 MJ (3.0L) / ABS / AUTO	5000kg	2100kg	2 x 1500kg	1000kg < 1600kg	6000kg
Kon-Tiki 679 / E789 (L)	160 MJ (3.0L) / ABS	5000kg	2100kg	2 x 1500kg	1000kg < 1600kg	6000kg
Kon-Tiki 679 / E789 (L)	160 MJ (3.0L) / ABS / AUTO	5000kg	2100kg	2 x 1500kg	1000kg < 1600kg	6000kg
Kon-Tiki 679 / E789 (H)	160 MJ (3.0L) / ABS	5000kg	2100kg	2 x 1500kg	1000kg < 1600kg	6000kg
Kon-Tiki 679 / E789 (H)	160 MJ (3.0L) / ABS / AUTO	5000kg	2100kg	2 x 1500kg	1000kg < 1600kg	6000kg
Kon-Tiki 649 / E799 (L)	160 MJ (3.0L) / ABS	5000kg	2100kg	2 x 1500kg	1000kg < 1600kg	6000kg
Kon-Tiki 649 / E799 (L)	160 MJ (3.0L) / ABS / AUTO	5000kg	2100kg	2 x 1500kg	1000kg < 1600kg	6000kg
Kon-Tiki 649 / E799 (H)	160 MJ (3.0L) / ABS	5000kg	2100kg	2 x 1500kg	1000kg < 1600kg	6000kg
Kon-Tiki 649 / E799 (H)	160 MJ (3.0L) / ABS / AUTO	5000kg	2100kg	2 x 1500kg	1000kg < 1600kg	6000kg

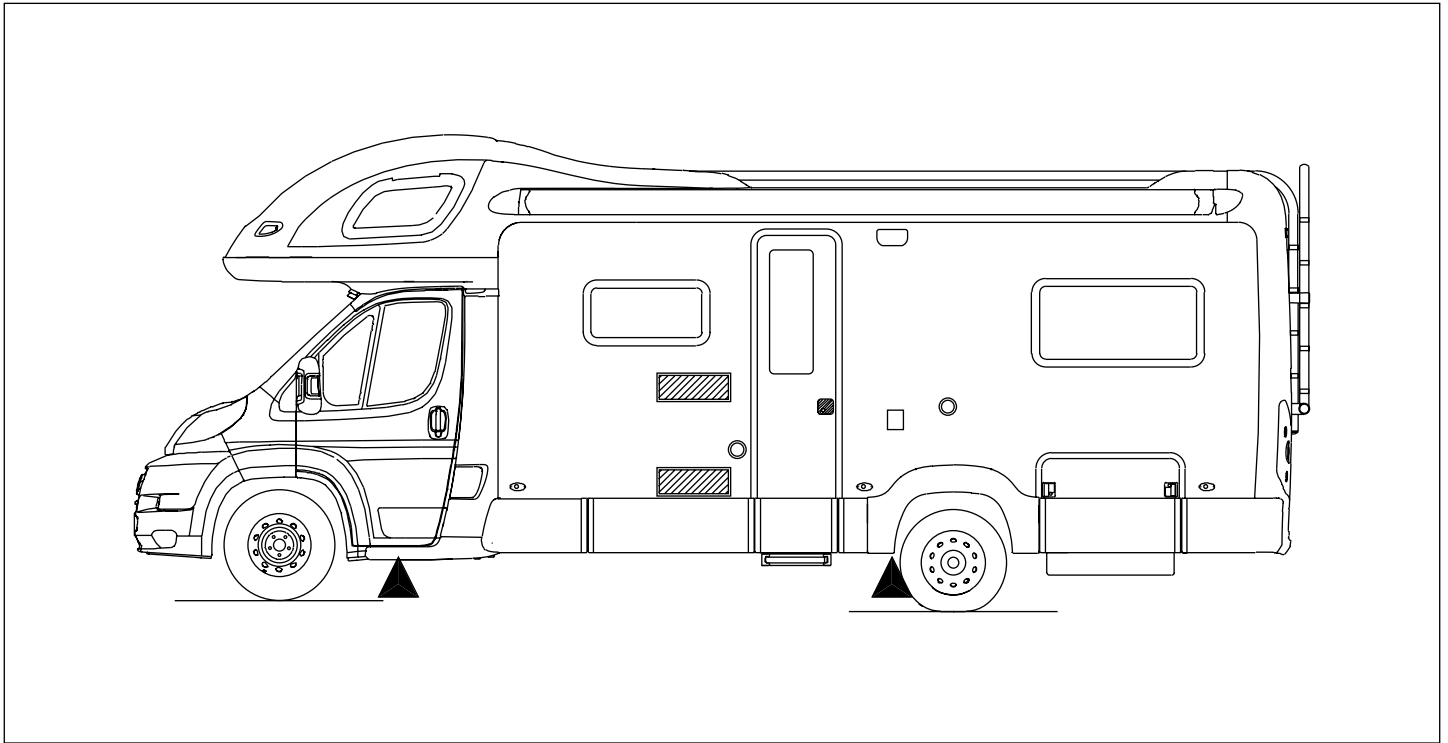
The maximum trailer weight is limited by the Gross Train Weight which must not be exceeded. For example, if the vehicle is at the maximum MTPLM of 5000kg, then the maximum trailer weight possible is 1000kg. Reducing the weight of the vehicle by removing payload, will allow you to increase the trailer weight up to a maximum of 1600kg.

To ensure adequate road holding, the load on the front axle, under all conditions, must not be less than 40% or more than 70% of the total weight.

Care must be taken when distributing loads. The loadings and weights above are maximums and must not be exceeded under any circumstances.

CAUTION: When fitting a towbar, it must meet certain minimum requirements as specified by Type Approval Regulations. The bar will have marked on it the approval standard (94/20/EC) and the maximum download, or noseweight, that it can accept. It must fit the manufacturer's approved mounting points and must not obscure the towing vehicle's number plate.

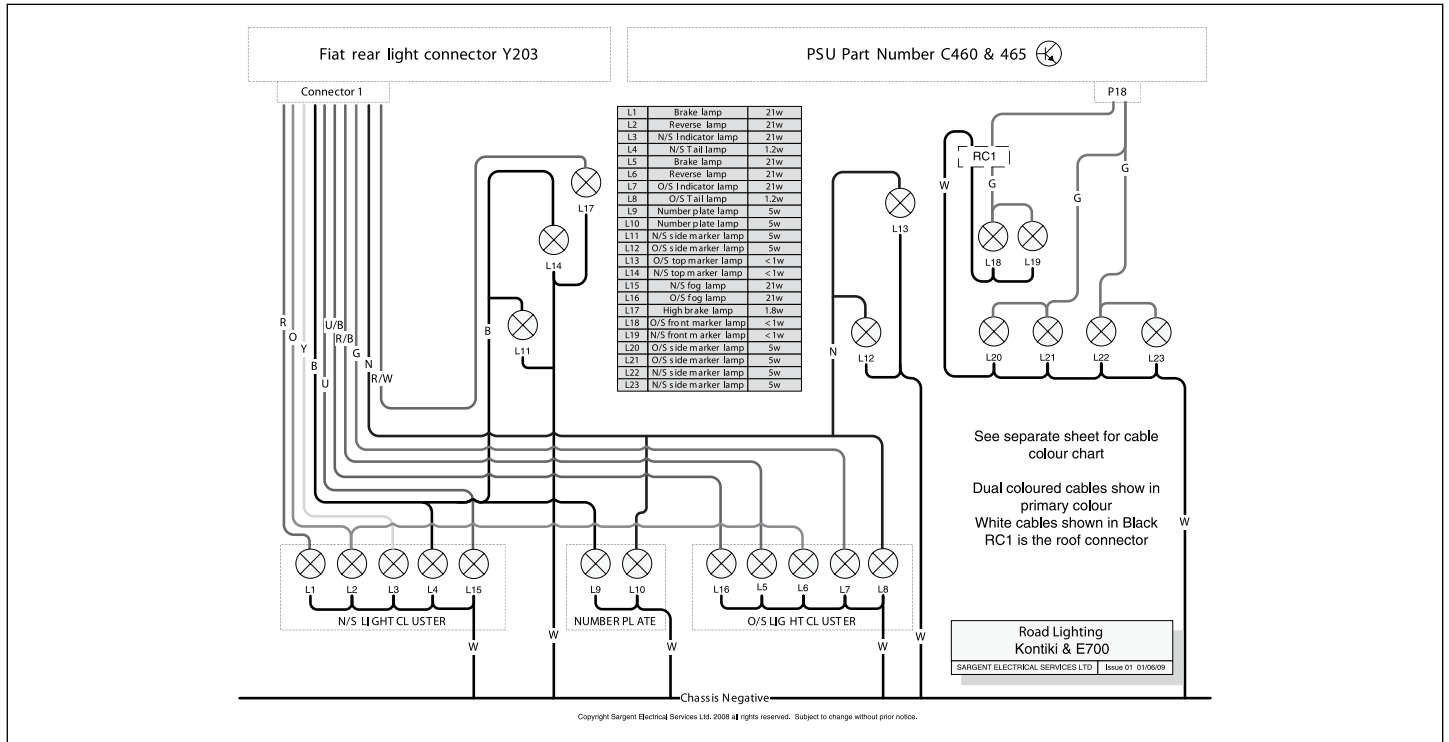
SWIFT KON-TIKI / E700 SERIES



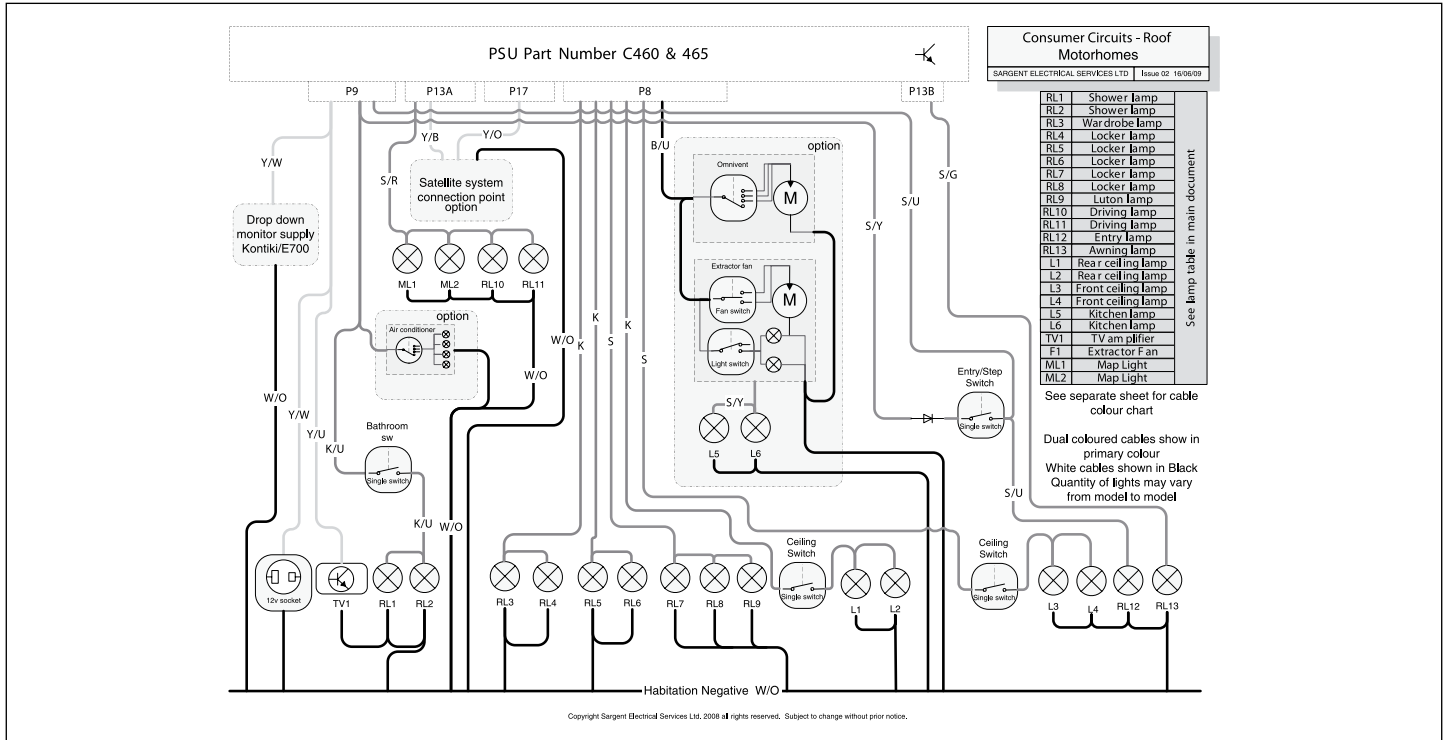
Jacking Points for High-Line and Low-Line: ▲

Wiring Diagrams

ROAD LIGHTING

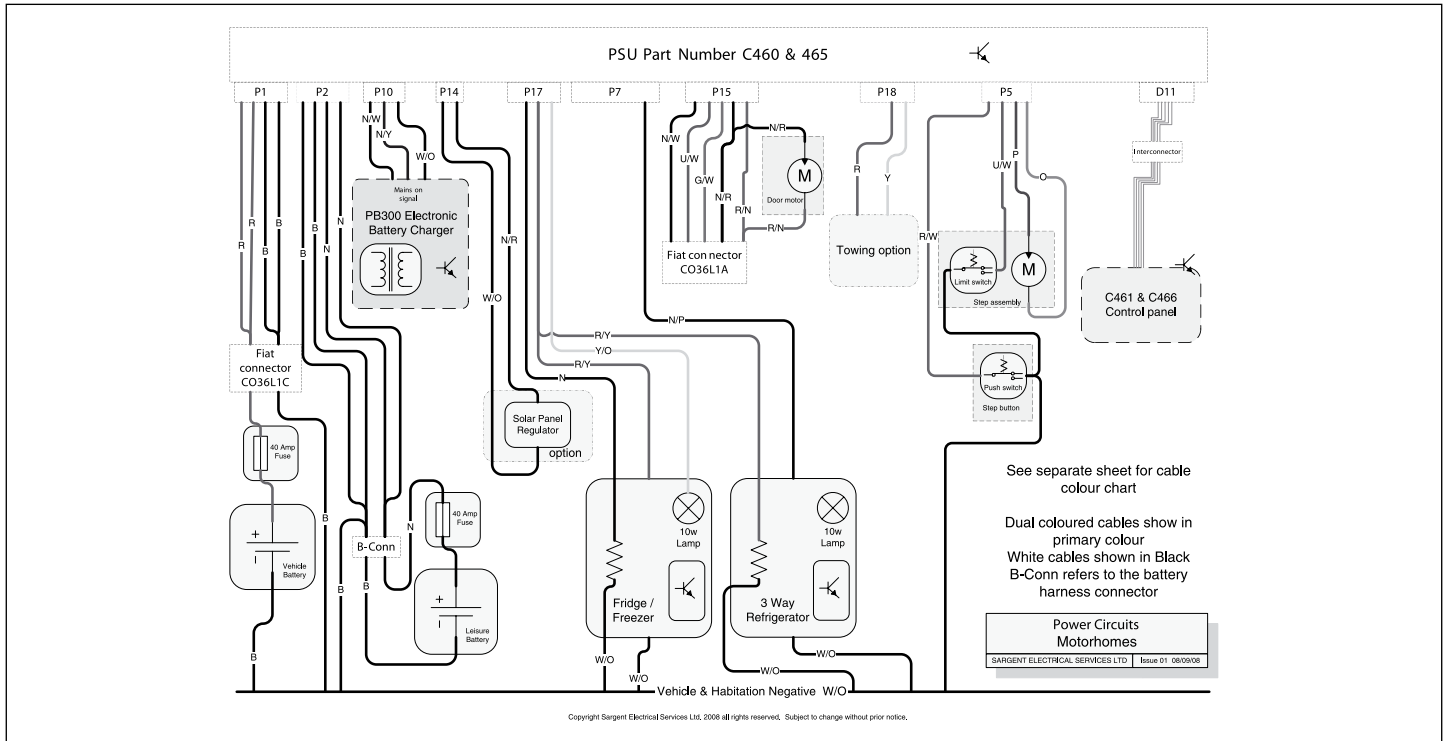


CONSUMER CIRCUITS – ROOF

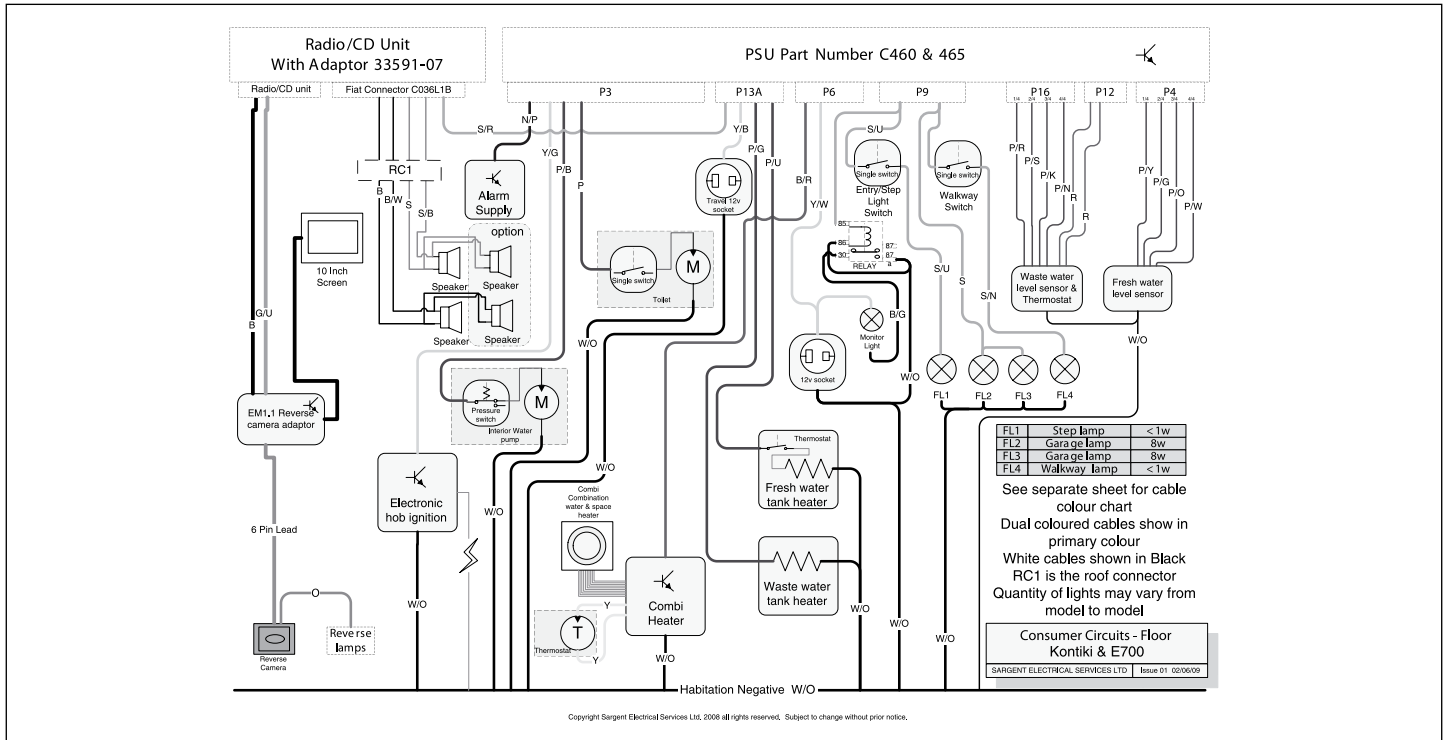


Wiring Diagrams

POWER CIRCUITS



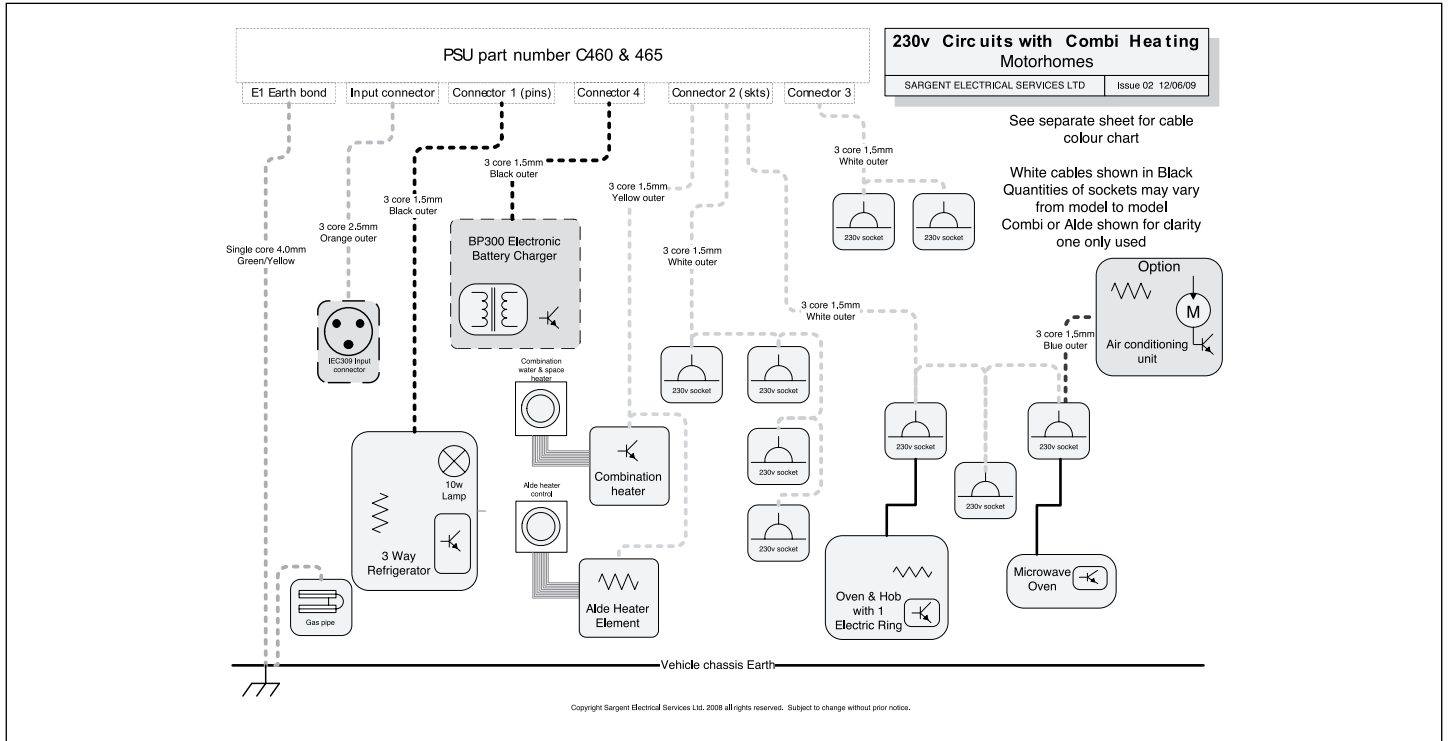
CONSUMER CIRCUITS – FLOOR



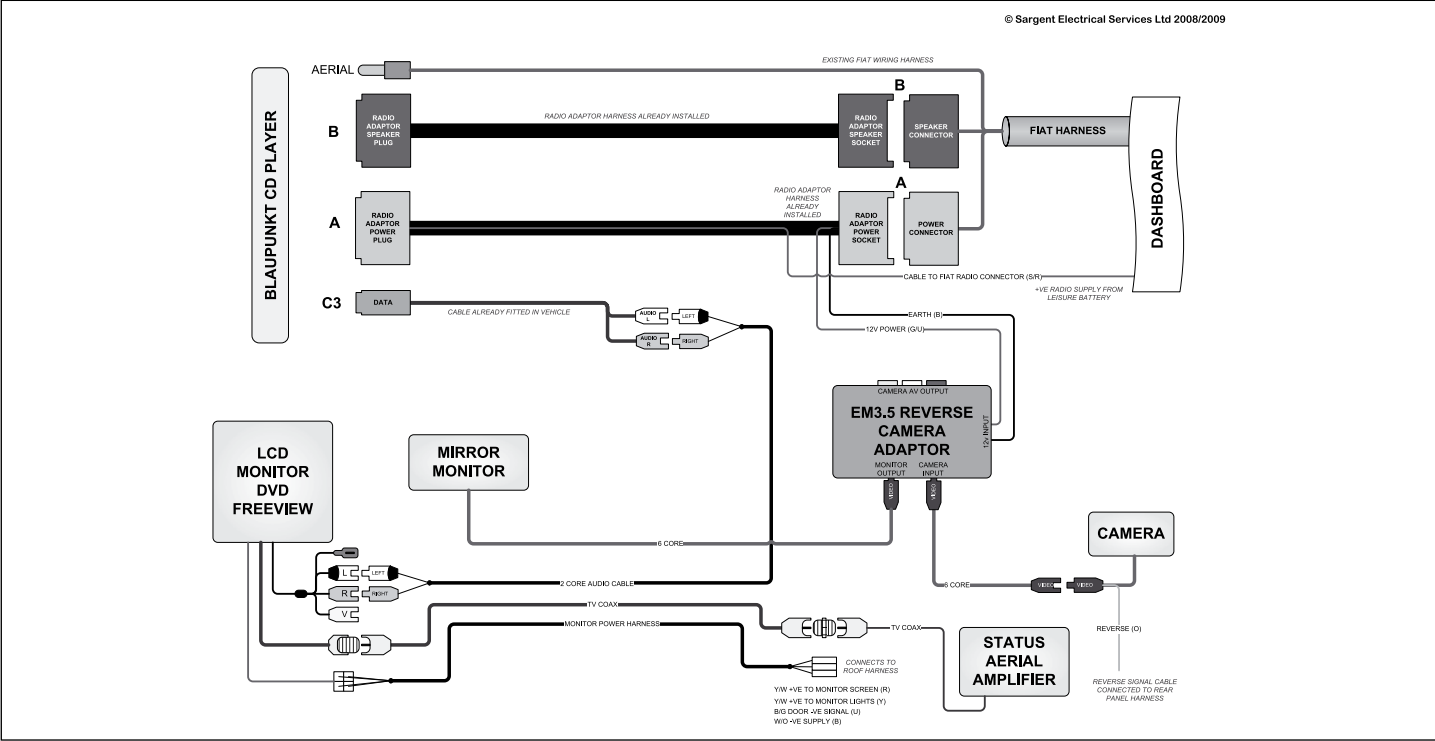
Copyright Sargent Electrical Services Ltd. 2008 all rights reserved. Subject to change without prior notice.

Wiring Diagrams

230V CIRCUITS



AV EQUIPMENT



CABLE COLOUR CHART



Cable Colour Chart	
i	ro p
c c	c

12v Cable Colours

B	BLACK
N	BROWN
R	RED
O	ORANGE
Y	YELLOW
G	GREEN
U	BLUE
P	PURPLE
S	SLATE GREY
W	WHITE
K	PINK

230v Cable Colours

B	BLACK
N	BROWN
W	WHITE
O	ORANGE
Y	YELLOW
G	GREEN
U	BLUE

Bulb Replacement

Road Lights		
Application	Bulb Reference	Bulb Rating
Front marker light	LED complete lamp	12v <1w
Side marker light	W5W	12v 5w
Rear high level marker light	LED complete lamp	12v <1w
High level stop lamp	T5/13.5	12v 2.3w
Rear indicator lamp	PY21 Orange	12v 21w
Rear Tail lamp	LED complete lamp	12v 1.2w
Rear Stop lamp	P21	12v 21w
Rear reverse lamp	P21	12v 21w
Rear fog lamp	P21	12v 21w
Number plate light	C5W	12v 5w
Interior / Other		
Downlighters	Halogen capsule bulb	G4 12v 10w
Downlighters, LED, main habitation (dry) areas	FEM0470 complete lamp	12v LE
Downlighters, LED, shower (wet) areas	FEM0441 complete lamp	12v LED
Locker spotlights, LED	FEM0440 complete lamp	12v LED
Cooker hood mounted lamps	GU4/MR11 Dichroic bulb	GU4 12v 10w
Panel mounted fluorescent lamps	300mm Fluorescent bulb	12v 8w
Panel mounted fluorescent lamps	600mm Fluorescent bulb	12v 13w
Furniture mounted cold cathode fluorescent lamps	530mm complete lamp, front fixed	12v 5w CCFL
Underfloor mounted cold cathode fluorescent lamps	530mm complete lamp, rear fixed	12v 5w CCFL
Garage strip lamps	500mm LED complete unit	12v 2.2w LED
Garage round lamps	21 LED complete unit	12v LED
Skylight surround fluorescent lamps	300mm Fluorescent bulb	12v 8w
Luton Fluorescent lamps	300mm Fluorescent bulb	12v 8w
B-pillar map reading lamps	GU4/MR11 Dichroic bulb	GU4 12v 10w
Low level walkway lamps	Small diameter LED complete lamp	12v 3w LED
Entrance step lamp	LED complete lamp	12v LED
Wardrobe lamp	Halogen capsule bulb	GU4 12v 5w
Awning lamp, LED	500mm LED complete unit	12v 2.2w LED

Note: Not all lights feature on all models within a range

Replacement instructions

KON TIKI / E700 SERIES ROAD LIGHT BULB ACCESS

REAR LIGHT CLUSTER:

To access the tail lamp, indicator lamp or low level brake lamps, the silver trim panel must first be removed. The trim panel is secured with a combination of plastic Velcro and stud fixings. To remove, apply pressure to the top corner and pull. Working downwards, release all the fixings

Below the trim panel is a black light carrier panel, housing the lamps. Release the three screws located close to the corners of each carrier, and then this too can be pulled directly away from the rear of the vehicle.

To replace the light carrier align the screw holes and replace fixing screws at each corner of carrier.

Align the silver trim piece and push firmly against rear of vehicle to ensure the plastic Velcro is fully engaged.

INDICATOR LAMPS - REPLACING

Bulb access is from rear of lamp.

Remove the trim panel and light carrier as described previously.

At the rear of the lamp, twist the bulb holder relative to the lamp body to release, and withdraw the bulb holder and bulb.

Bulbs are a bayonet fitting – apply slight pressure on bulb towards light fitting, and twist to release.

Re-position the bulb holder into the lamp and twist to lock in place.

Replace the light carrier and trim piece as described above.

REVERSE LAMPS - REPLACING

Bulb access is from rear of lamp.

Remove the trim panel and light carrier as described previously.

At the rear of the lamp, twist the bulb holder relative to the lamp body to release, and withdraw the bulb holder and bulb.

Bulbs are a bayonet fitting – apply slight pressure on bulb towards light fitting, and twist to release.

Re-position the bulb holder into the lamp and twist to lock in place.

Replace the light carrier and trim piece as described above.

TAIL LAMPS - REPLACING

The tail lamp is a LED cluster and has no user serviceable parts inside.

Only replacement of the whole lamp is possible – first remove the Silver trim piece and light carrier as described previously.

Unplug the lamp from the harness, by squeezing the small tab on the side of the connector, and pulling the two halves away from each other.

Remove the reverse lamp as described above.

Remove the three screws securing tail lamp LED ring to the black carrier

Replace lamp ensuring correct screws are used to secure and reverse procedure to re-fit lamp, reverse lamp, light carrier and trim piece.

LOW LEVEL STOP LAMPS

Bulb access is from rear of lamp.

Remove the trim panel and light carrier as described above.

At the rear of the lamp, twist the bulb holder relative to the lamp body to release, and withdraw the bulb holder and bulb.

Bulbs are a bayonet fitting – apply slight pressure on bulb towards light fitting, and twist to release.

Re-position the bulb holder into the lamp and twist to lock in place

Replace the light carrier and trim piece as described above.

REAR FOG LIGHTS

Bulb access is from rear of lamp.

The light fitting can be accessed from underneath the rear of the vehicle.

At the rear of the lamp, twist the bulb holder relative to the lamp body to release, and withdraw the bulb holder and bulb.

Please note: The visible rubber terminal cover is not fixed to the bulb holder, and it may be easier to grip the bulb holder with this removed.

Bulbs are a bayonet fitting – apply slight pressure on bulb towards light fitting, and twist to release.

Re-position the bulb holder into the lamp and twist to lock in place.

FRONT OR REAR HIGH LEVEL MARKER / POSITION LAMPS (RED / CLEAR LENSE)

These lamps are LED and have no user serviceable parts inside.

Replacements should be undertaken by your dealer, as the lamps are sealed onto the mounting panel.

HIGH LEVEL BRAKE LAMP

This lamp is single piece and has no user serviceable parts inside.

Remove the screw at both ends of lamp, and withdraw whole fitting away from rear panel of motorhome.

Please note : The screws which retain the lamp also retain the reverse camera housing.

Unplug the lamp from the harness, by squeezing the small tab on the side of the connector, and pulling the connector away from the lamp.

Re-connect the new lamp to harness, and secure with the original two screws.

Lamp retaining screws are fixed into a rubber sleeve with a threaded insert, often known as a rawlnut. If lamp has been removed and re-fitted several times the rubber sleeve may need replacing, these are available through your dealer.

NUMBER PLATE LAMPS

Bulb access is from via the front lense of each lamp

Remove the two screws in the lense of the lamp, and remove

Lever the bulb out of retaining clips

Reverse the procedure to re-fit a new bulb and the light lense

SIDE MARKER / POSITION LAMPS

Bulb access is from rear of lamp

If rear of lamp is visible from inside the vehicle:

Depending on the location, a small brown plastic cover may be present covering the connections to the lamp. Remove the screws in the cover to release and access the rear of the lamp.

The harness plugs directly into the bulb holder – twist the bulb holder relative to the lamp body to release, and withdraw the bulb holder and bulb.

Bulbs are push fit into bulb holder – pull bulb directly away from holder to release

Reverse the procedure to replace the bulb in the holder, holder in the lamp and the lamp onto the motorhome body. Replace plastic cover.

If rear of lamp is not visible from inside the vehicle:

Remove the 2 screws from the front of the light fitting, and withdraw the whole fitting from motorhome body.

The harness plugs directly into the bulb holder – twist the bulb holder relative to the lamp body to release, and withdraw the bulb holder and bulb.

Bulbs are push fit into bulb holder – pull bulb directly away from holder to release.

Reverse the procedure to replace the bulb in the holder, holder in the lamp and the lamp onto the motorhome body.